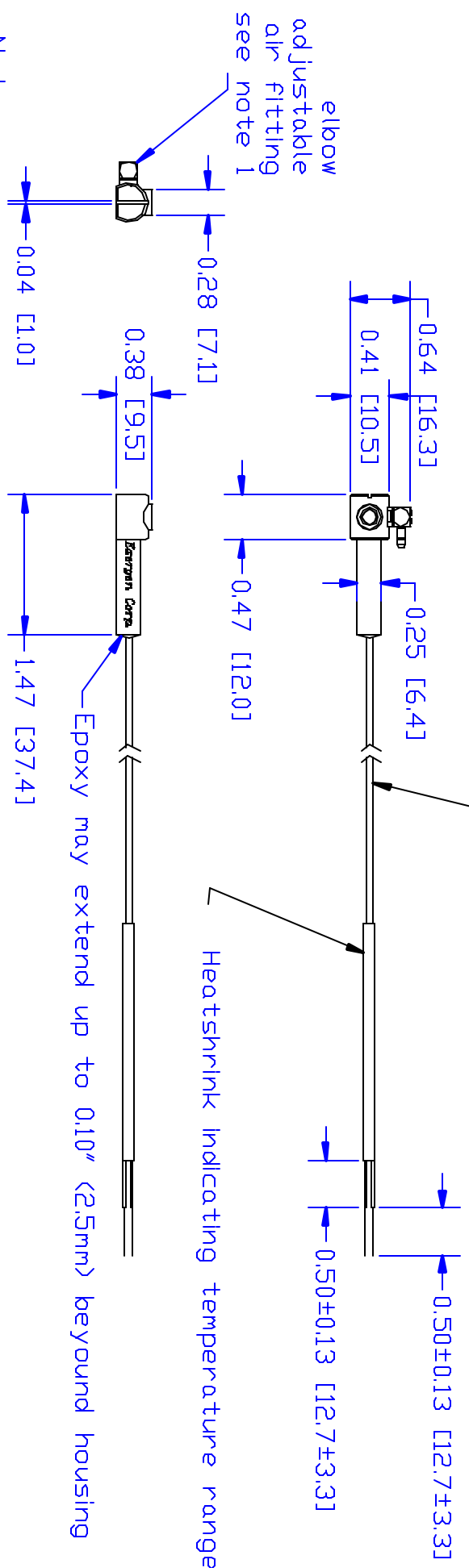


THE INFORMATION CONTAINED HEREIN IS THE PROPERTY OF ENERGY CORPORATION OF CANADA AND IS NOT TO BE REPRODUCED, COPIED, EITHER WHOLLY OR IN PART, OR TRANSMITTED IN ANY FORM OR BY ANY MEANS, ELECTRONIC OR MECHANICAL, INCLUDING PHOTOCOPYING, RECORDING, OR BY ANY INFORMATION STORAGE AND RETRIEVAL SYSTEM, WITHOUT THE WRITTEN PERMISSION OF ENERGY CORPORATION OF CANADA.

All dimensions are typical



Standard cable length is 3 feet (0.91 meters)
 Custom lengths are available upon request.
 See note 2.

Heatshrink indicating temperature range

Epoxy may extend up to 0.10" (2.5mm) beyond housing

Notes:

1. Nickel plated brass adjustable position elbow with M3 thread and built-in barb. Beswick M3LS-1016, suggested tube ID 5/64" (2.0mm) Removable
2. Wire Typically K type thermocouple wire. Teflon Neoflon PFA insulation (both inner and outer) 24 AWG, 7 x 32 AWG strands. Nominally sized 0.063 x 0.102 (1.6 x 2.6 mm)

REVISIONS					
REV	ZONE	DESCRIPTION	ECO	DATE	APPROVED
1		Release	2184	3/9/03	

USER'S OFFICE AND/OR CUSTOMER'S ADDRESS TELEPHONE NO. FAX NO. ADDRESS		DRG. B. Duron CHK: APP:	
MATERIAL: NA		TITLE: Outline micro 4SV	
FINISH: NA		SIZE: B	DRAWING NO.: 900101
		SCALE: 1:1	SHEET: 1 OF 1