

Actual
Product
Size Shown



Product Features

CTC's Most Popular Sensor!
High Performance in a Low Cost Sensor

- Standard 2 Pin MIL Connection
- Perfect for Thousands of Applications
- Affordably Priced, Hermetically Sealed Sensors

AC102-1A 2 Pin Connector

Connector Pin	Polarity
A	(+) Signal/Power
B	(-) Common



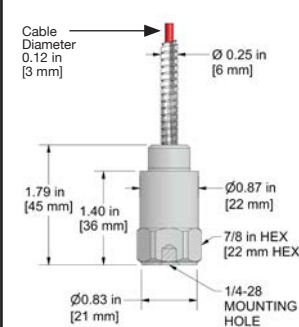
AC102-2C Integral Cable

Conductor	Polarity
Red	(+) Signal/Power
Black	(-) Common
Shield	Cable Drain Wire



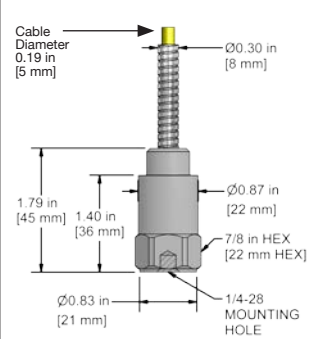
AC102-3C Armored Integral Cable

Conductor	Polarity
Red	(+) Signal/Power
Black	(-) Common
Shield	Cable Drain Wire



AC102-6C Heavy Duty Armored Integral Cable

Conductor	Polarity
Red	(+) Signal/Power
Black	(-) Common
Shield	Cable Drain Wire



Specifications	Standard	Metric
Part Number	AC102	M/AC102
Sensitivity (±10%)	100 mV/g	
Frequency Response (±3dB)	30-900,000 CPM	0.5-15000 Hz
Frequency Response (±10%)	120-600,000 CPM	2.0-10000 Hz
Dynamic Range	± 50 g, peak	
Electrical		
Settling Time	<2.5 seconds	
Voltage Source	18-30 VDC	
Constant Current Excitation	2-10 mA	
Spectral Noise @ 10 Hz	14 µg/√Hz	
Spectral Noise @ 100 Hz	2.3 µg/√Hz	
Spectral Noise @ 1000 Hz	2 µg/√Hz	
Output Impedance	<100 ohm	
Bias Output Voltage	10-14 VDC	
Case Isolation	>10 ⁹ ohm	

Specifications	Standard	Metric
Environmental		
Temperature Range	-58 to 250°F	-50 to 121°C
Maximum Shock Protection	5,000 g, peak	
Electromagnetic Sensitivity	CE	
Sealing	Welded, Hermetic	
Submersible Depth (AC102-2C/3C)	200 ft.	60 m
Physical		
Sensing Element	PZT Ceramic	
Sensing Structure	Shear Mode	
Weight	3.2 oz	90 grams
Case Material	316L Stainless Steel	
Mounting	1/4-28	
Connector (non-integral)	2 Pin MIL-C-5015	
Resonant Frequency	1,380,000 CPM	23000 Hz
Mounting Torque	2 to 5 ft. lbs.	2.7 to 6.8 Nm
Mounting Hardware	1/4-28 Stud	M6x1 Adapter Stud
Calibration Certificate	CA10	

Ordering Information

Standard	AC102-1A	AC102-2C	AC102-3C	AC102-6C
	(1/4-28 Stud)	(1/4-28 Stud)	(1/4-28 Stud)	(1/4-28 Stud)
		- / [] - []	- / [] / [] - []	- / [] / [] - []
		(length in feet) (termination)	(length in feet) (maximum armor length 100 ft.) (cable length in feet) (termination)	(length in feet) (maximum armor length 20 ft.) (cable length in feet) (termination)
Metric	M/AC102-1A	M/AC102-2C	M/AC102-3C	M/AC102-6C
	(M6x1 Adapter Stud)	(M6x1 Adapter Stud)	(M6x1 Adapter Stud)	(M6x1 Adapter Stud)
		- / [] - []	- / [] / [] - []	- / [] / [] - []
		(length in feet) (termination)	(length in feet) (maximum armor length 100 ft.) (cable length in feet) (termination)	(length in feet) (maximum armor length 20 ft.) (cable length in feet) (termination)
		[] M - []	[] M / [] M - []	[] M / [] M - []
		(length in meters) (termination)	(length in meters) (maximum armor length 30 m) (cable length in meters) (termination)	(length in meters) (maximum armor length 6 m) (cable length in meters) (termination)

Cable Termination Options: **E** **F** **Z**



19 Waterman Ave, Toronto, Ont. M4B1Y2
Ph#416-445-5500 Fax#416-445-1170
Toll Free: 1-800-465-1600
Email:sales@intertechnology.com
Website:www.intertechnology.com

