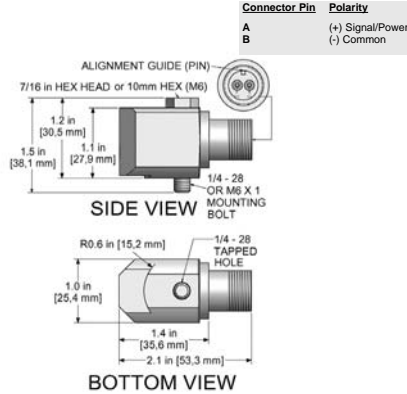


# AC108 Series

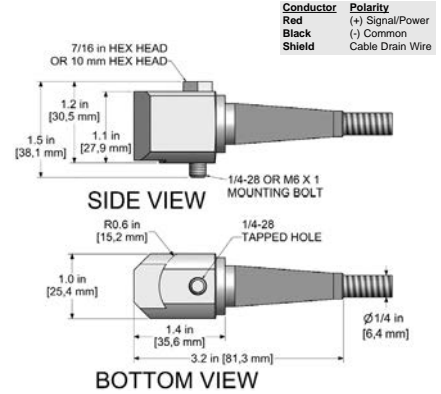
## High Temperature Accelerometer, Side Exit Connector / Cable, 100 mV/g



### AC108-1A 2 Pin Connector



### AC108-5A Armored Integral Cable



### Part Numbers & Ordering Information:

When Ordering Metric, add "M" prefix.  
(Example: M/AC108-5A/010-Z)

**AC108-1A** High Temperature accelerometer, 100 mV/g, 2 pin side connector

AC108-5A/010-Z	10 ft. (3 m), blunt cut end
AC108-5A/020-Z	20 ft. (6 m), blunt cut end
AC108-5A/030-Z	30 ft. (9 m), blunt cut end
AC108-5A/050-Z	50 ft. (15 m), blunt cut end
AC108-5A/100-Z	100 ft. (30 m), blunt cut end
AC108-5A/010-F	10 ft. (3 m), BNC plug connector
AC108-5A/020-F	20 ft. (6 m), BNC plug connector
AC108-5A/030-F	30 ft. (9 m), BNC plug connector
AC108-5A/050-F	50 ft. (15 m), BNC plug connector
AC108-5A/100-F	100 ft. (30 m), BNC plug connector

\* Custom Lengths Available Upon Request

Performance Specifications	English	Metric	Environmental	English	Metric
<b>Sensitivity</b>	±10%	100 mV/g	<b>Temperature Range</b>	-58 to 302° F	-50 to 150° C
<b>Frequency Response</b>	±3 dB	60-480,000 CPM	<b>Maximum Shock Protection</b>	5,000 g, peak	5000 g, peak
	±10%	120-180,000 CPM	<b>Electromagnetic Sensitivity</b>	CE	CE
<b>Dynamic Range</b>		±50 g, peak	<b>Sealing</b>	Welded, Hermetic	Welded, Hermetic
<b>Electrical</b>			<b>Physical</b>		
<b>Settling Time (Turn on Time)</b>			<b>Sensing Element</b>	PZT Ceramic	PZT Ceramic
<b>@ Room Temp (68°F/20°C)</b>	<2.5 Seconds	<2.5 Seconds	<b>Sensing Structure</b>	Shear Mode	Shear Mode
<b>Power Requirement</b>			<b>Weight</b>	5.1 oz.	145 grams
<b>Voltage Source</b>	18-30 VDC	18-30 VDC	<b>Case Material</b>	316L Stainless Steel	316L Stainless Steel
<b>Constant Current Excitation</b>	2-10 mA	2-10 mA	<b>Mounting Hole</b>	1/4-28	M6x1
<b>Electrical Noise (Typical)</b>			<b>Connector (AC108-1A)</b>	2 Pin MIL-C-5015	2 Pin MIL-C-5015
<b>Broadband 2.5 Hz to 25 kHz</b>	200 σg, rms	200 σg, rms	<b>Armored Cable (AC108-5A)</b>	CB206, Armor Jacket	CB206, Armor Jacket
<b>Spectral 10 Hz</b>	14 σg/√Hz	14 σg/√Hz	<b>Mechanical</b>		
<b>100 Hz</b>	2 σg/√Hz	2 σg/√Hz	<b>Resonant Frequency</b>	1,200,000 CPM	20000 Hz
<b>1000 Hz</b>	1.4 σg/√Hz	1.4 σg/√Hz	<b>Mounting Torque</b>	2 to 5 ft. lbs.	2.7 to 6.8 Nm
<b>Output Impedance, Max</b>	<100 ohm	<100 ohm	<b>Supplied Accessories</b>		
<b>Bias Output Voltage</b>	10-14 VDC	10-14 VDC	<b>Mounting Hardware</b>	1/4-28 Captive Bolt	M6x1 Captive Bolt
<b>Electrical Case Isolation</b>	>10 <sup>8</sup> ohm	>10 <sup>8</sup> ohm	<b>Calibration Certificate</b>	CA10	CA10

### Common Applications

#### Industries Served

- Automotive
- Pharmaceutical
- Wastewater Treatment
- Manufacturing
- Power
- Military
- Pulp and Paper
- Mining
- Steel

#### Typical Applications

- Air Compressors
- Cooling Towers
- Gear Boxes
- Pumps
- Turbines <302° F (150° C)
- Air Handlers
- Dryer Sections <302° F (150° C)
- Motors
- Pumps, Underwater
- Compressors
- Fans
- Press Sections
- Roll and Process Equipment
- Conveyors
- Fourdriners
- Presses and Stamping
- Spindles

#### Measurement Types

- Permanent Mount

For optional accessories, please see the [Sensor Accessory Selection Chart](#).



VIBRATION ANALYSIS HARDWARE



19 Waterman Ave, Toronto, Ont. M4B1Y2  
Ph#416-445-5500 Fax#416-445-1170  
Toll Free: 1-800-465-1600  
Email: sales@intertechnology.com  
Website: www.intertechnology.com

Page

AC-20.B