

AC118 Series

Multi-Purpose Accelerometer, Side Exit Connector/Cable, 50 mV/g



Actual Product Size Shown



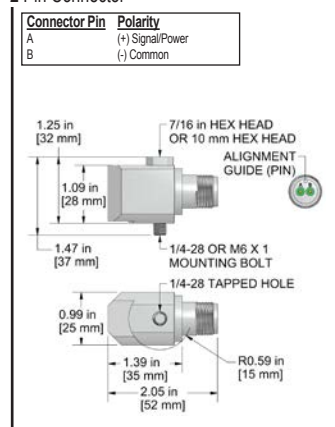
Product Features

50 mV/g General Purpose Side Exit Sensor

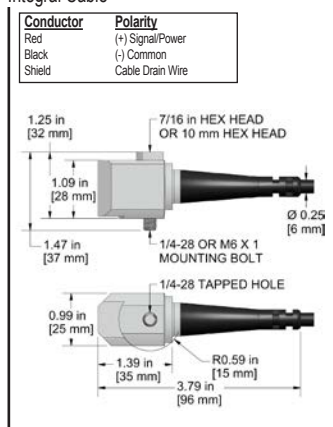
Excellent for Higher g Applications

- ± 100 g, Peak Dynamic Range
- 50 mV/g, $\pm 10\%$ Sensitivity
- 1,0-10000 Hz (60-600,000 CPM)

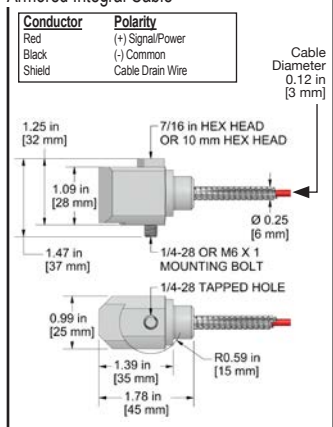
AC118-1A 2 Pin Connector



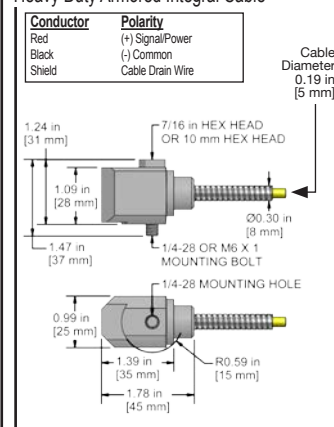
AC118-2C Integral Cable



AC118-3C Armored Integral Cable



AC118-6C Heavy Duty Armored Integral Cable



Specifications	Standard	Metric
Part Number	AC118	M/AC118
Sensitivity ($\pm 10\%$)	50 mV/g	
Frequency Response (± 3 dB)	60-600,000 CPM	1,0-10000 Hz
Frequency Response ($\pm 10\%$)	240-360,000 CPM	4,0-6000 Hz
Dynamic Range	± 100 g, peak	
Electrical		
Settling Time	<2 Seconds	
Voltage Source	18-30 VDC	
Constant Current Excitation	2-10 mA	
Spectral Noise @ 10 Hz	8 μ g/√Hz	
Spectral Noise @ 100 Hz	2.5 μ g/√Hz	
Spectral Noise @ 1000 Hz	1.7 μ g/√Hz	
Output Impedance	<100 ohm	
Bias Output Voltage	10-14 VDC	
Case Isolation	>10 ⁹ ohm	

Specifications	Standard	Metric
Environmental		
Temperature Range	-58 to 250° F	-50 to 121 °C
Maximum Shock Protection	5,000 g, peak	
Electromagnetic Sensitivity	CE	
Sealing	Welded, Hermetic	
Submersible Depth (AC118-2C/3C)	200 ft.	60 m
Physical		
Sensing Element	PZT Ceramic	
Sensing Structure	Shear Mode	
Weight	5.1 oz	145 grams
Case Material	316L Stainless Steel	
Mounting	1/4-28	
Connector (non-integral)	2 Pin MIL-C-5015	
Resonant Frequency	1,260,000 CPM	21000 Hz
Mounting Torque	2 to 5 ft. lbs.	2,7 to 6,8 Nm
Mounting Hardware	1/4-28 Captive Bolt	M6x1 Captive Bolt
Calibration Certificate	CA10	

Ordering Information

Standard	AC118-1A (1/4-28 Captive Bolt)	AC118-2C - / (1/4-28 Captive Bolt)	AC118-3C - / (1/4-28 Captive Bolt)	AC118-6C - / (1/4-28 Captive Bolt)
		(length in feet) (termination)	(maximum armor length 100 ft.) (cable length in feet) (termination)	(maximum armor length 20 ft.) (cable length in feet) (termination)
Metric	M/AC118-1A (M6x1 Captive Bolt)	M/AC118-2C - / (M6x1 Captive Bolt)	M/AC118-3C - / (M6x1 Captive Bolt)	M/AC118-6C - / (M6x1 Captive Bolt)
	(length in meters) (termination)	(length in meters) (termination)	(maximum armor length 30 m) (cable length in meters) (termination)	(maximum armor length 6 m) (cable length in meters) (termination)

Cable Termination Options: E **F** **Z**



19 Waterman Ave, Toronto, Ont. M4B1Y2
Ph#416-445-5500 Fax#416-445-1170
Toll Free: 1-800-465-1600
Email: sales@intertechnology.com
Website: www.intertechnology.com