

AC136 Series

Low Frequency Accelerometer, Side Exit Connector/Cable, 500 mV/g

SECTION 1 - VIBRATION SENSORS
Accelerometers



Actual Product Size Shown



Product Features

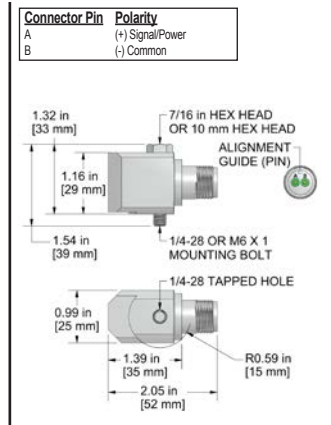
Low Frequency/Slow Speed Sensor

0,2 - 3000 Hz (12 - 180,000 CPM)

- 500 mV/g, $\pm 10\%$ Sensitivity
- Standard 2 Pin MIL Connection
- ± 10 g, Peak Dynamic Range

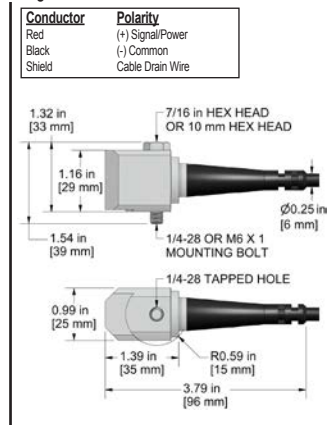
AC136-1A

2 Pin Connector



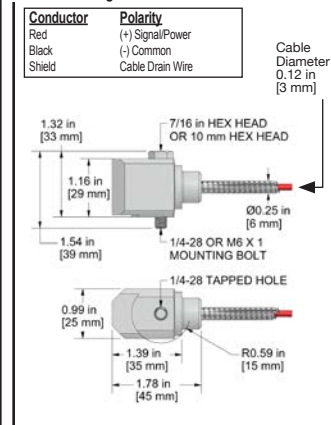
AC136-2C

Integral Cable



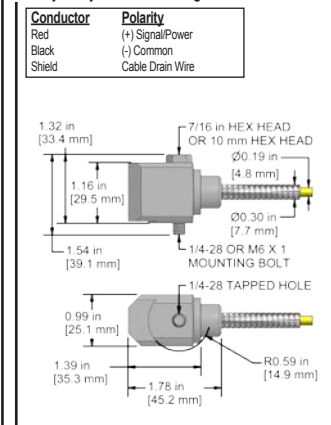
AC136-3C

Armored Integral Cable



AC136-6C

Heavy Duty Armored Integral Cable



Specifications	Standard	Metric
Part Number	AC136	M/AC136
Sensitivity ($\pm 10\%$)	500 mV/g	
Frequency Response (± 3 dB)	12-180,000 CPM	0,2-3000 Hz
Frequency Response ($\pm 10\%$)	36-90,000 CPM	0,6-1500 Hz
Dynamic Range	± 10 g, peak	
Electrical		
Settling Time	5 Seconds	
Voltage Source	18-30 VDC	
Constant Current Excitation	2-10 mA	
Spectral Noise @ 10 Hz	1.7 μ g/ \sqrt Hz	
Spectral Noise @ 100 Hz	0.2 μ g/ \sqrt Hz	
Spectral Noise @ 1000 Hz	0.12 μ g/ \sqrt Hz	
Output Impedance	<100 ohm	
Bias Output Voltage	10-14 VDC	
Case Isolation	>10 ⁹ ohm	

Specifications	Standard	Metric
Environmental		
Temperature Range	-58 to 250° F	-50 to 121°C
Electromagnetic Sensitivity	CE	
Sealing	Welded, Hermetic	
Submersible Depth (AC136-2C/3C)	200 ft.	60 m
Physical		
Sensing Element	PZT Ceramic	
Sensing Structure	Shear Mode	
Weight	5.5 oz	156 grams
Case Material	316L Stainless Steel	
Mounting	1/4-28	
Connector (non-integral)	2 Pin MIL-C-5015	
Resonant Frequency	840,000 CPM	14000 Hz
Mounting Torque	2 to 5 ft. lbs.	2,7 to 6,8 Nm
Mounting Hardware	1/4-28 Captive Bolt	M6x1 Captive Bolt
Calibration Certificate	CA10	

Ordering Information

Standard	AC136-1A	AC136-2C	AC136-3C	AC136-6C
	(1/4-28 Captive Bolt)	(1/4-28 Captive Bolt)	(1/4-28 Captive Bolt)	(1/4-28 Captive Bolt)
	[] - []	[] - []	[] / [] - []	[] / [] - []
	(length in feet) (termination)	(length in feet) (termination)	(maximum armor length 100 ft.) (cable length in feet) (termination)	(maximum armor length 20 ft.) (cable length in feet) (termination)
Metric	M/AC136-1A	M/AC136-2C	M/AC136-3C	M/AC136-6C
	(M6x1 Captive Bolt)	(M6x1 Captive Bolt)	(M6x1 Captive Bolt)	(M6x1 Captive Bolt)
	[] - []	[] - []	[] / [] - []	[] / [] - []
	(length in meters) (termination)	(length in meters) (termination)	(maximum armor length 30 m) (cable length in meters) (termination)	(maximum armor length 6 m) (cable length in meters) (termination)

Cable Termination Options:



INTERTECHNOLOGY
INC.

19 Waterman Ave, Toronto, Ont. M4B1Y2
Ph#416-445-5500 Fax#416-445-1170
Toll Free: 1-800-465-1600
Email: sales@intertechnology.com
Website: www.intertechnology.com

