



Actual Product Size Shown



Product Features

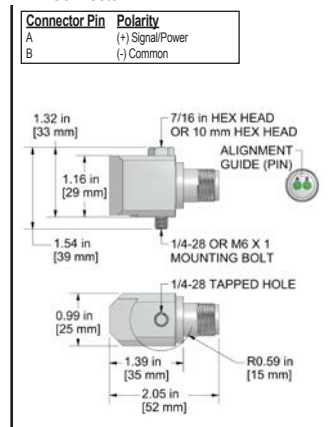
High Performance Side Exit Sensor for Demanding Applications

High g Dynamic Range with Excellent Frequency Response

- Higher Dynamic Range
- Bias Stability at Temperature
- Improved RF Immunity

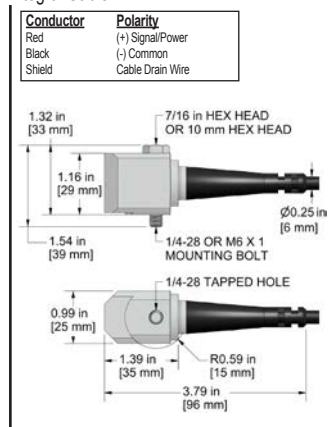
AC211-1D

2 Pin Connector



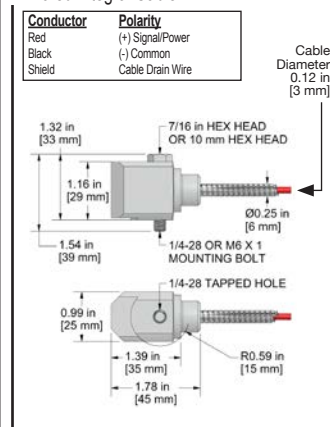
AC211-2D

Integral Cable



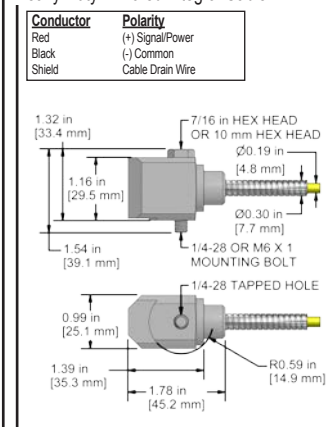
AC211-3D

Armored Integral Cable



AC211-6D

Heavy Duty Armored Integral Cable



Specifications	Standard	Metric
Part Number	AC211	M/AC211
Sensitivity (±5%)	100 mV/g	
Frequency Response (±3dB)	30-600,000 CPM	0.5-10000 Hz
Frequency Response (±10%)	60-240,000 CPM	1.0-4000 Hz
Frequency Response (±5%)	120-180,000 CPM	2.0-3000 Hz
Dynamic Range	± 80 g, peak	
Electrical		
Setting Time	<2.5 seconds	
Voltage Source	18-30 VDC	
Constant Current Excitation	2-10 mA	
Spectral Noise @ 10 Hz	14 µg/√Hz	
Spectral Noise @ 100 Hz	2.3 µg/√Hz	
Spectral Noise @ 1000 Hz	2 µg/√Hz	
Output Impedance	<100 ohm	
Bias Output Voltage	10-14 VDC	
Case Isolation	>10 ⁸ ohm	

Specifications	Standard	Metric
Environmental		
Temperature Range	-58 to 250°F	-50 to 121°C
Maximum Shock Protection	5,000 g, peak	
Electromagnetic Sensitivity	CE	
Sealing	Welded, Hermetic	
Submersible Depth (AC211-2D/3D)	200 ft.	60 m
Physical		
Sensing Element	PZT Ceramic	
Sensing Structure	Shear Mode	
Weight	5.1 oz	145 grams
Case Material	316L Stainless Steel	
Mounting	1/4-28	
Connector (non-integral)	2 Pin MIL-C-5015	
Resonant Frequency	1,320,000 CPM	22000 Hz
Mounting Torque	2 to 5 ft. lbs.	2.7 to 6.8 Nm
Mounting Hardware	1/4-28 Captive Bolt	M6x1 Captive Bolt
Calibration Certificate	CA10	

Ordering Information

Standard	AC211-1D	AC211-2D	AC211-3D	AC211-6D
	(1/4-28 Stud)	(1/4-28 Stud)	(1/4-28 Stud)	(1/4-28 Stud)
		(length in feet) (termination)	(maximum armor length 100 ft.) (cable length in feet) (termination)	(maximum armor length 20 ft.) (cable length in feet) (termination)
Metric	M/AC211-1D	M/AC211-2D	M/AC211-3D	M/AC211-6D
	(M6x1 Adapter Stud)	(M6x1 Adapter Stud)	(M6x1 Adapter Stud)	(M6x1 Adapter Stud)
		(length in feet) (termination)	(maximum armor length 100 ft.) (cable length in feet) (termination)	(maximum armor length 20 ft.) (cable length in feet) (termination)
		(length in meters) (termination)	(maximum armor length 30 m) (cable length in meters) (termination)	(maximum armor length 6 m) (cable length in meters) (termination)

Cable Termination Options: E

