

AC240 Series

Premium Series mini-MIL Accelerometer High Frequency
Top Exit Connector/Cable 100 mV/g

mini-MIL Must Use J2X Series Connectors

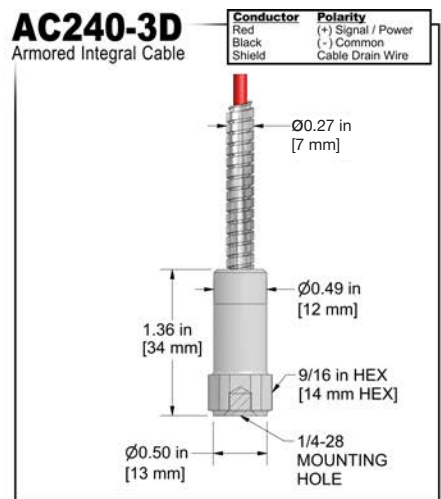
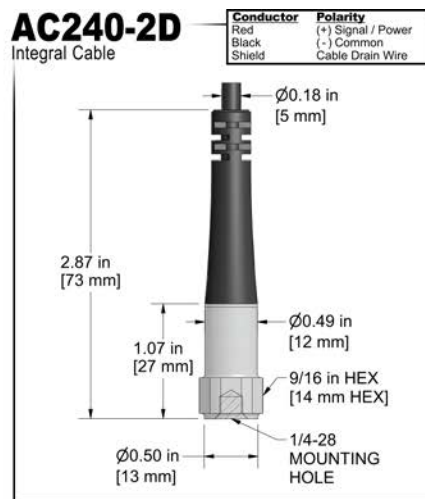
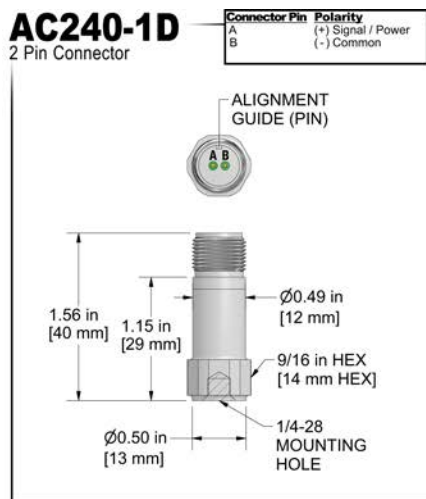
Product Features

High Performance Sensor for Demanding Applications

High Resonant Frequency with Excellent Frequency Response

- ± 50 g, Peak Dynamic Range
- 34 kHz Resonant Frequency
- $\pm 5\%$ Sensitivity

Actual Product Size Shown



Specifications	Standard	Metric
Part Number	AC240	M/AC240
Sensitivity ($\pm 5\%$)	100 mV/g	
Frequency Response (± 3 dB)	36-1,500,000 CPM	0.6-25000Hz
Frequency Response ($\pm 10\%$)	60-720,000 CPM	1.0-12000 Hz
Frequency Response ($\pm 5\%$)	120-480,000 CPM	2-8000 Hz
Dynamic Range	± 50 g, peak	
Electrical		
Settling Time	<2.5 Seconds	
Voltage Source	18-30 VDC	
Constant Current Excitation	2-10 mA	
Spectral Noise @ 10 Hz	30 μ g/ \sqrt Hz	
Spectral Noise @ 100 Hz	4 μ g/ \sqrt Hz	
Spectral Noise @ 1000 Hz	2 μ g/ \sqrt Hz	
Output Impedance	<100 ohm	
Bias Output Voltage	10-14 VDC	
Case Isolation	>10 ⁸ ohm	

Specifications	Standard	Metric
Environmental		
Temperature Range	-58 to 250° F	-50 to 121°C
Maximum Shock Protection	5,000 g, peak	
Electromagnetic Sensitivity	CE	
Sealing	Welded, Hermetic	
Submersible Depth (AC240-2D/3D)	200 ft.	60 m
Physical		
Sensing Element	PZT Ceramic	
Sensing Structure	Shear Mode	
Weight	0.7 oz	20 grams
Case Material	316L Stainless Steel	
Mounting	1/4-28	
Connector (non-integral)	2 Pin mini-MIL	
Resonant Frequency	2,040,000 CPM	34000 Hz
Mounting Torque	2 to 5 ft. lbs.	2.7 to 6.8 Nm
Mounting Hardware	1/4-28 Stud	M6x1 Adapter Stud
Calibration Certificate	CA10	

Ordering Information

Standard	AC240-1D (1/4-28 Stud)	AC240-2D (1/4-28 Stud)	- / [] - [] (length in feet) (termination)	AC240-3D (1/4-28 Stud)	- / [] / [] - [] (maximum armor length 100 ft.) (cable length in feet) (termination)
Metric	M/AC240-1D (M6x1 Adapter Stud)	M/AC240-2D (M6x1 Adapter Stud)	- / [] - [] (length in feet) (termination) [] M - [] (length in meters) (termination)	M/AC240-3D (M6x1 Adapter Stud)	- / [] / [] - [] (maximum armor length 100 ft.) (cable length in feet) (termination) [] M / [] M - [] (maximum armor length 30 m) (cable length in meters) (termination)

Cable Termination Options: **E** **F** **Z**

SECTION 1 - VIBRATION SENSORS
Accelerometers

