

AC904 Series

Intrinsically Safe Accelerometer, Side Exit Connector/Cable, 50 mV/g

SECTION 1 - VIBRATION SENSORS
Intrinsically Safe Accelerometers



Actual Product Size Shown



Requires **Intrinsically Safe Barrier**

Product Features

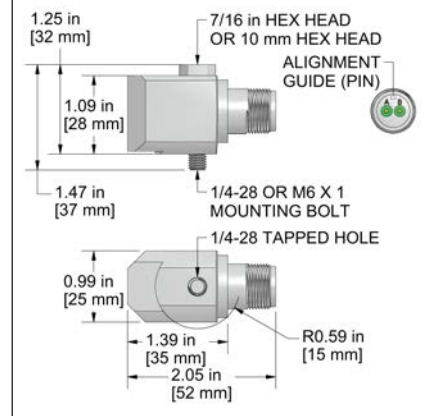
CSA/ATEX Approved

Excellent for Higher g Applications

- ± 100 g, Peak Dynamic Range
- 50 mV/g Sensitivity $\pm 10\%$
- Requires Intrinsic Safety Barrier (see page 278)

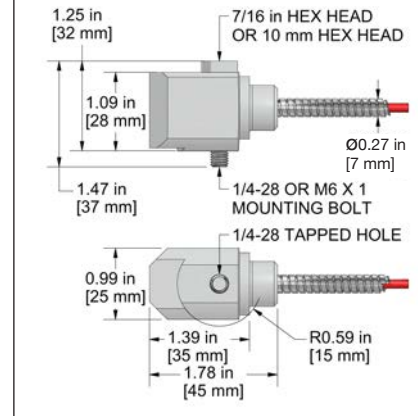
AC904-1A 2 Pin Connector

Connector Pin	Polarity
A	(+) Signal / Power
B	(-) Common



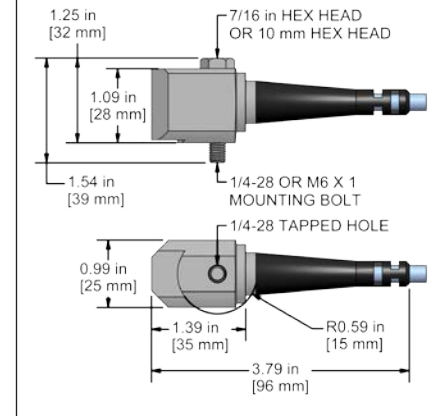
AC904-3C Armored Integral Cable

Conductor	Polarity
Red	(+) Signal / Power
Black	(-) Common
Shield	Cable Drain Wire



AC904-9C Integral Cable

Conductor	Polarity
Red	(+) Signal / Power
Black	(-) Common
Shield	Cable Drain Wire



Specifications	Standard	Metric
Part Number	AC904	M/AC904
Sensitivity ($\pm 10\%$)	50 mV/g	
Frequency Response (± 3 dB)	60-480,000 CPM	1,0-8000 Hz
Frequency Response ($\pm 10\%$)	120-180,000 CPM	2,0-3000 Hz
Dynamic Range	± 100 g, peak	
Electrical		
Settling Time	<3 Seconds	
Voltage Source	18-28 VDC	
Constant Current Excitation	2-10 mA	
Spectral Noise @ 10 Hz	9 μ g./Hz	
Spectral Noise @ 100 Hz	2 μ g./Hz	
Spectral Noise @ 1000 Hz	1.6 μ g./Hz	
Output Impedance	<100 ohm	
Bias Output Voltage	10-14 VDC	
Case Isolation	>10 ⁹ ohm	

Specifications	Standard	Metric
Environmental		
Temperature Range	-58 to 250°F	-50 to 121°C
Maximum Shock Protection	5,000 g, peak	
Electromagnetic Sensitivity	CE	
Sealing	Welded, Hermetic	
Physical		
Sensing Element	PZT Ceramic	
Sensing Structure	Shear Mode	
Weight	5.3 oz	150 grams
Case Material	316L Stainless Steel	
Mounting	1/4-28	
Connector (AC904-1A)	2 Pin MIL-C-5015	
Armored Cable (AC904-3C)	Armor Jacketed Cable	
Integral Cable (AC904-9C)	RAL 5015 Blue Polyurethane Cable	
Resonant Frequency	1,260,000 CPM	21000 Hz
Mounting Torque	2 to 5 ft. lbs.	2,7 to 6,8 Nm
Mounting Hardware	1/4-28 Stud	M6x1 Adapter Stud
Calibration Certificate	CA10	

Ordering Information

Standard	AC904-1A (1/4-28 Captive Bolt)	AC904-3C - / [] / [] - [] (1/4-28 Captive Bolt) (maximum armor length 100 ft.) (cable length in feet) (termination)	AC904-9C - / [] - [] (1/4-28 Captive Bolt) (length in feet) (termination)
Metric	M/AC904-1A (M6x1 Captive Bolt)	M/AC904-3C - / [] / [] - [] (M6x1 Captive Bolt) (maximum armor length 30 m) (cable length in meters) (termination)	M/AC904-9C - / [] - [] (M6x1 Captive Bolt) (length in meters) (termination)



Read Before Purchasing

Important information on
Regulatory Approvals and Requirements
on Pages 60 & 61

Cable Termination Options: L Z



INTERTECHNOLOGY
INC.

19 Waterman Ave, Toronto, Ont. M4B1Y2
Ph#416-445-5500 Fax#416-445-1170
Toll Free: 1-800-465-1600
Email:sales@intertechnology.com
Website:www.intertechnology.com