



DIFFERENTIAL PRESSURE TRANSMITTER

Models 115, 215, 315, 115X/P, 215X/P, 315X/P/Z



(Shown with "315X"
+ "HM" option)

FEATURES:

- Rugged, all welded, totally encapsulated electronics
- Leakproof. No O-ring construction
- Small size
- All SST wetted parts
- Base pressure to 10,000 psi (with option HM)
- Explosion Proof & Intrinsically Safe Approvals

PRESSURE RANGES:

- From 30 to 5000 psid
- From 2 to 300 bar
- (Bi-directional available)

WIRING:

A/1 RED
B/2 GREEN
C/3 WHITE
D/4 BLACK
E/5 BLUE
F/6 BROWN
SHIELD

115

+EXC.
+SIGNAL
-SIGNAL
-EXC.
NC OPTION GH
NC OPTION GH
OPEN

215

+EXC.
+SIGNAL
NC
-EXC./SIGNAL
NC OPTION GH
NC OPTION GH
OPEN

315

+EXC./SIGNAL
NC
NC
-EXC./SIGNAL
NC OPTION GH
NC OPTION GH
OPEN

Approvals



Zero Balance:

- (Model 115) 0.0 mV/V $\pm 2\%$ FSO at 70°F at 10 Vdc
- (Model 215) 0.0 Vdc $\pm 2\%$ FSO at 70°F at 24 Vdc
- (Model 315) 4.0 mA $\pm 2\%$ FSO at 70°F at 24 Vdc

Temperature Compensation:

- Effect on Zero / Span $\leq \pm 2.0\%$ FSO/100°F for each

Electricals:

(Consult factory for ATEX approval)

- Excitation Voltage:

(Model 115) 3.5-15 Vdc

(Models 215/215X) 9-40 Vdc / 10.5-32 Vdc

(Models 315/315Z) 9-36 Vdc

(Model 315X) 13-36 Vdc

- Output Current:

(Model 215) 2.0 mA maximum for less than 0.1% FSO attenuation.

- Output at 70°F:

(Model 115) 3 mV/V $\pm 2\%$ FSO

(Models 215/215X) 5 Vdc $\pm 2\%$ FSO

(Models 315/315X/315Z) 4-20 mA $\pm 2\%$ FSO

- Load Impedance:

(Model 115) 50,000 ohms min. for less than 0.1% FSO attenuation

(Model 215) 750 ohms maximum at 24 Vdc & 1350 ohms at 36 Vdc

- Input Impedance:

(Model 115) 5000 ohms nominal

- Input Current:

(Model 215) 10 mA nominal

Temperature Limits:

- Compensated: +70° to +180° F
- Operating: -20° to +190° F
- Storage: -65° to +250° F

Mechanicals:

- Proof Pressure: 10 X full scale pressure range or 3000 psi, whichever is less.
- Burst Pressure: 15 X full scale pressure range or 4000 psi, whichever is less.
- Weight: 16 oz. nominal.
- Static Line Pressure: 2000 psi maximum (10,000 psi option)
- Static Line Shift (Zero Shift): $\leq \pm 1\%$ FSO/1000 PSI
- Wetted Materials: 316 SST
- Enclosure Material: 17-4 and 316 SST
- Mounting: Pressure Port

Connections:

- Pressure: 1/4" NPT (F)

- Electrical Cable:

(Model 115, 215) 36" long, 4 conductor

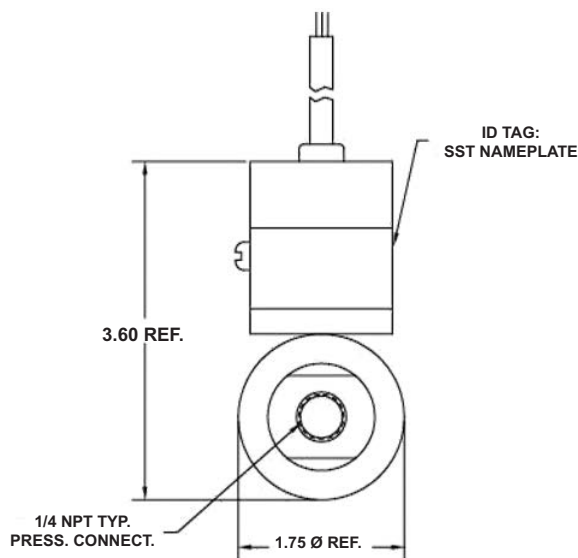
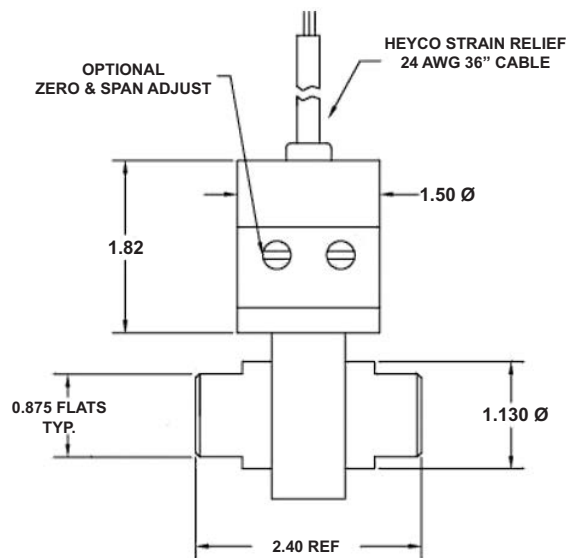
(Model 315) 36" long, 2 conductor



DIFFERENTIAL PRESSURE TRANSMITTER

Models 115, 215, 315, 115X/P, 215X/P, 315X/P/Z

Some options will affect dimensions. Consult factory if important.



NOTE:

Specifications reflect standard product, improved performance / mechanical options available.

Modifications may alter specs, consult factory for more information.

MODEL:

115	3 mV/V
215	0-5 Vdc
315	4-20 mA
215X	0-5 Vdc Explosion Proof
315X	4-20 mA Explosion Proof
315Z	4-20 mA Intrinsically Safe

ACCURACY:

A - 1.0% FSO / B - 0.5% FSO / C - 0.2% FSO

PRESSURE RANGE (PSI):

**Available with option HM only

PT 30	RF 300	RS 2500
PV 50	RH 500	RT 3000**
PX 75	RJ 600	RV 5000**
PZ 100	RK 750	RW 6000**
RB 150	RM 1000	RX 7500**
RD 200	RO 1500	SZ Other
RE 250	RR 2000	

OPTIONS

AA None (standard connector)

ALTERNATE CONNECTOR OR CABLE

- CA** Bendix PTIH-10-6P (Mate:PTO6E-10-6S [SR], not supplied)
- CB** Bendix CF3102E-14S-6P(Mate: CF 3106E-14A-6S (not supplied))
- CE** Terminal Block
- CF** 1/2" NPT(M) thread w/24" potted leads. (Std. on exp. proof models)
- CH** NEMA-4X cable, 8' vented polyurethane jacket cable
- CJ** DIN 43650 (includes mate)
- CL** 1/2" NPT (M) conduit, 2' vented polyurethane jacket cable
- CO** Junction Box (thermocouple type) and Terminal Block
- CT** Teflon jacketed cable, Tefzel used on submersible units, (Options CH, CL, DE)

ALTERNATE PRESSURE PORT

- FA** MS33649-4 (1/4 AND-10050, [F])
- FC** 3/8" NPT (F)
- FZ** Non-Standard Pressure Port

GENERAL

- CW** Submersible non-vented cable (max. 500 psi external)
- DE** IP-67 (NEMA-6) vented polyurethane cable, neoprene grommet
- GA** Standardized Output to $\pm 0.5\%$ FSO
- GB** Alternate Full Scale, Outputs that are non-standard
- GE** Improved Temp. Compensation to $\pm 0.5\%$ FSO/100°F for Zero & Span
- GF** Expanded process temperature range, -65 to 250°F ($\pm 2\%$ FSO/100°F)
- GG** Alternate Calibration Resistor Signal
- GH** Internal Calibration Resistor, set to 100% $\pm 0.5\%$ FSO
- GJ** Zero & Span Controls (Approximately $\pm 20\%$ FSO) 215 & 315 only
- GL** Cleaned for Oxygen Service
- GS** 0-10 Vdc FSO, Model 215. (Requires 16-40 Vdc excitation)
- HK** NEMA-4X rating
- HL** RFI Protection (for unit in proximity to radio transmitter).
- HM** 10,000 psi Base Pressure Flange Girdle.
Proof pressure 10 x full scale range or 10,000 psi, whichever is less.
Burst pressure 15 x full scale range or 10,500 psi, whichever is less.
- HR** ± 15 Vdc Excitation, Model 215
- MD** Zero and Span Controls for Explosion-Proof Units.
- MS** Bi-Directional Differential Pressure allows for both positive & Negative signal (Model 315 has a 12 mA zero)

