

# Automatic High-Insulation Coupling Type 1700B...

## for industrial usage

Coaxial, automatic high-insulation coupling for transmitting electrical charges when the mold is changed automatically.

- Rugged design
- Environmental seal according to IP64

### Description

The coupling halves are equipped with contact pins which opens automatically during coupling and separate from the front exposed to contamination. Therefore electrical charges can be transmitted with high insulation.

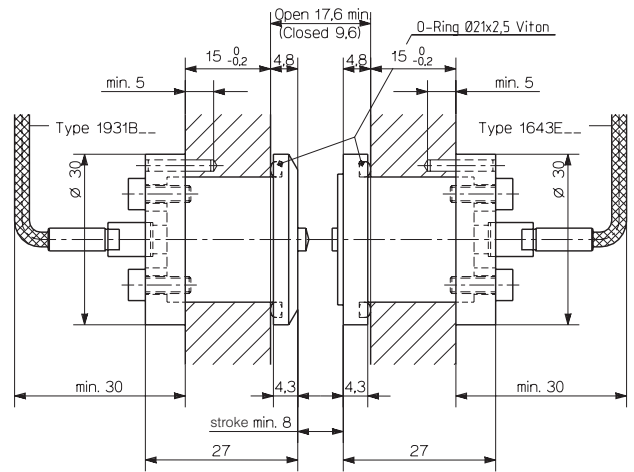
In the coupled and decoupled state, seals avoid the penetration of dirt and splashwater (protection class IP 64). The holding plates used to fix the coupling halves possess heavy type dowel pins to avoid twisting.

### Application

All applications where charge signals from piezoelectric transducers must be transmitted in automatic or semi-automatic mold change systems. The rugged construction allows the use in industrial environment. This coupling can also be integrated into coupling systems which are not leakage-free.

### Technical Data

Insulation resistance at 100 VDC/ 40 °C; 50 % rel. humidity	Ω	≥10 <sup>12</sup>
Contact resistance	Ω	0,2 max.
<b>Ambiant conditions:</b>		
Temperature range	°C	-10 ... 180
Permanent operation	°C	180
Shorttime operation (1/2 h)	°C	200
Shock	g	40
Vibration resistance		
at 40 and 100 kHz	g	18
Resistance to humidity		
up to 90 % rel. humidity (40 °C)	Ω	≥10 <sup>11</sup>
Protection class	DIN 4005-IP64	



### Mechanical:

Closing force when coupling in axial direction	N	50 ... 8 000
Mismatch in axial direction	mm	0,4 max.
Allowed angle error in axial direction	°	2 max.
Coupling stroke until contact open	mm	8
Lifetime, strokes		≥50 000

### Mounting

Due to its compact construction, this high-insulation coupling can be integrated without problems in standard connector housings and multicoupling systems. The plug side should be protected when mounted.

**Application example**

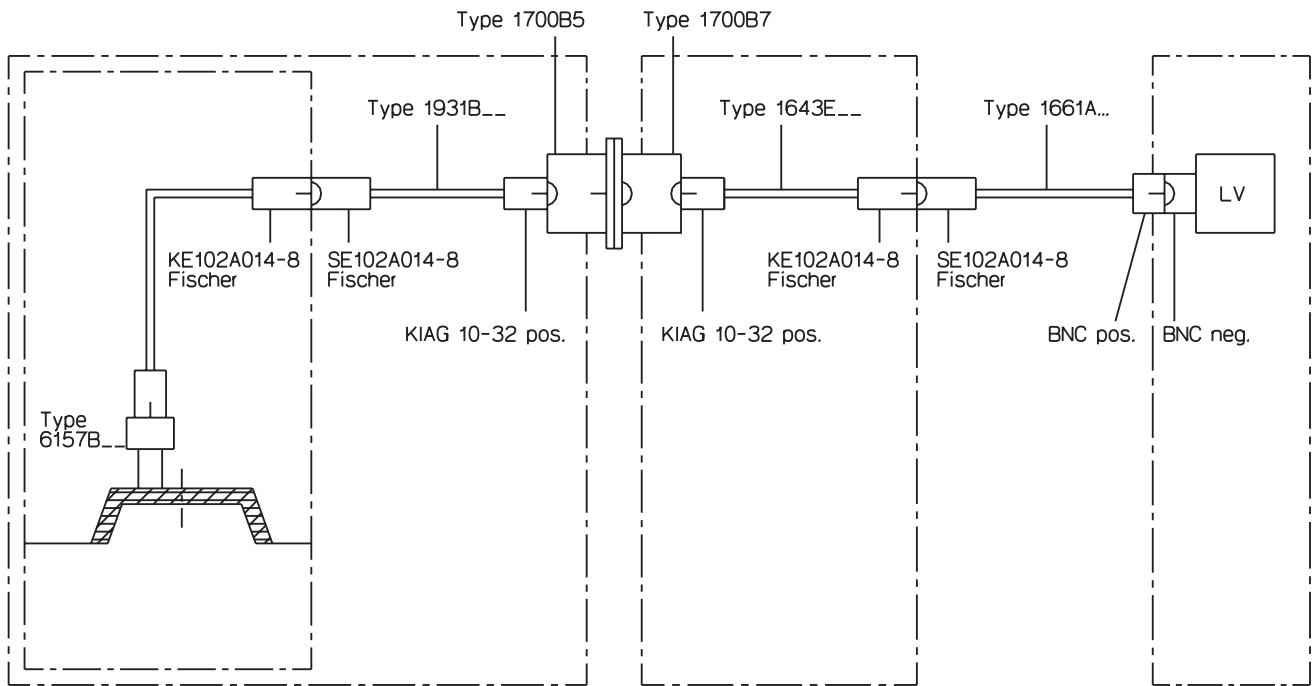
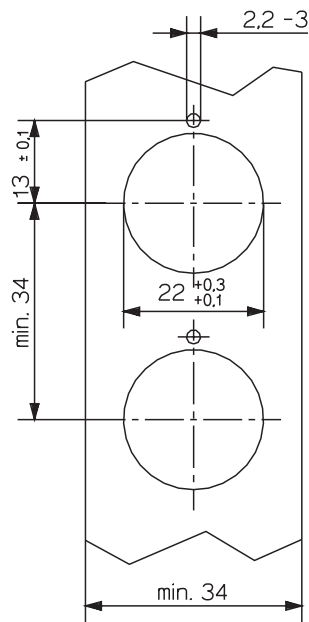


Fig. 1: Mold change in injection molding machines



1700B\_000-446e-10.04

Fig. 2: Mounting plate

**Accessories Included**

- Allen/Inbus Key SW 2,5 mm

**Art. No**

5.210.120

**Optional Accessories**

- High-temperature connect. cable
- High-temperature connect. cable

**Type**

1931B...  
1643E...

**Ordering Key**

**Automatic Coupling**

Connector (pos.)	5
Connector (neg.)	7

Type 1700B

