

Coaxial Cable Connectors

Type 17..., 18...

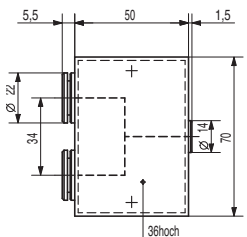
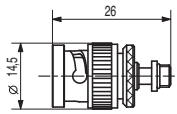
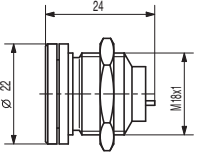
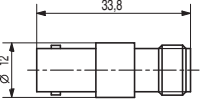
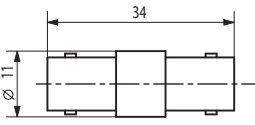
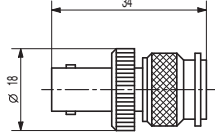
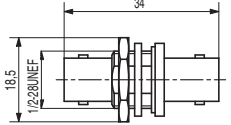
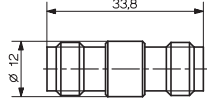
Cable Sockets, Couplings and Accessories

General

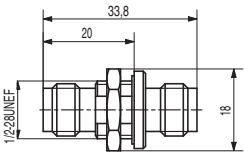
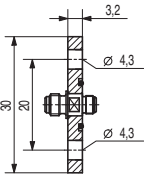
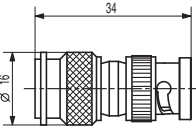
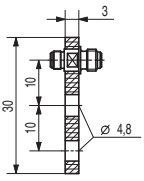
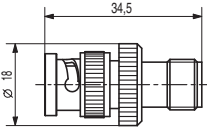
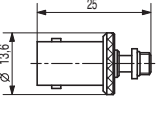
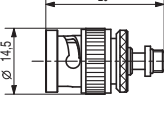
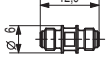
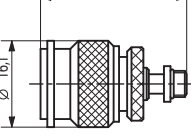
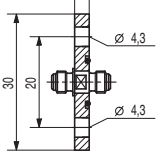
The specified cable plugs, cable sockets, couplings etc. are all of the highly-insulating Type and are used for connecting sensors in parallel as well as for other problems of adaptation.

Together with cable plugs and sockets special types of coaxial cables must be used and they must be mounted according to special instructions. The protective covers are used to protect the connectors against contamination.

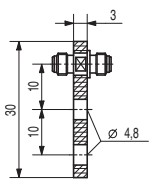
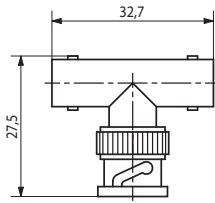
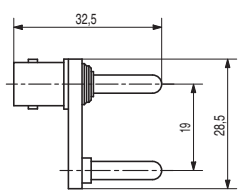
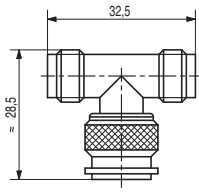
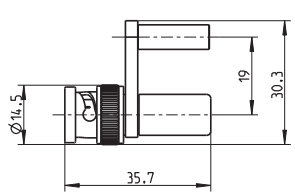
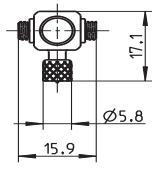
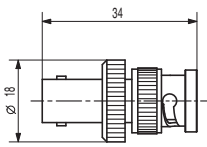
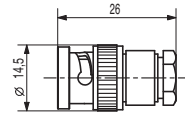
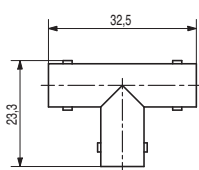
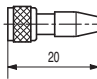
Cable Plugs, Cable Sockets and Couplings

Type		Type	
1700A1	 <p>2 x Fischer pos. – Fischer neg.</p>	1705	 <p>BNC pos. – KIAG M4 neg.</p>
1700A3	 <p>Fischer pos.</p>	1707	 <p>BNC neg. – TNC neg.</p>
1701	 <p>BNC neg. – BNC neg.</p>	1709	 <p>BNC neg. – TNC pos.</p>
1703	 <p>BNC neg. – BNC neg.</p>	1711	 <p>TNC neg. – TNC neg.</p>

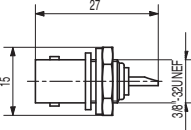
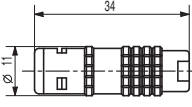
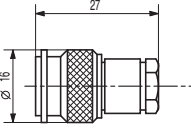
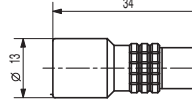
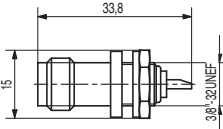
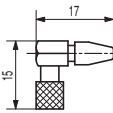
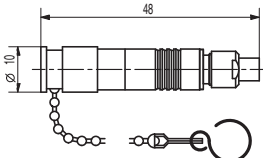
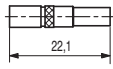
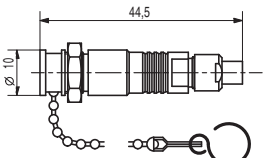
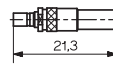
1700A_000-347e-10.10

Type		Type	
1713	 <p>Feed-through coupling</p> <p>TNC neg. – TNC neg.</p>	1724A1	 <p>Coupling with steel flange</p> <p>KIAG M4 neg. – KIAG 10-32 neg.</p>
1717	 <p>Coupling</p> <p>TNC pos. – BNC pos.</p>	1724A2	 <p>Coupling with plastic flange</p> <p>KIAG M4 neg. – KIAG 10-32 neg.</p>
1719	 <p>Coupling</p> <p>BNC pos. – TNC neg.</p>	1725	 <p>Coupling</p> <p>BNC neg. – KIAG 10-32 neg.</p>
1721	 <p>Coupling</p> <p>BNC pos. – KIAG 10-32 neg.</p>	1729A	 <p>Coupling</p> <p>KIAG 10-32 neg. – KIAG 10-32 neg.</p>
1723	 <p>Coupling</p> <p>TNC pos. – KIAG 10-32 neg.</p>	1729A1	 <p>Coupling</p> <p>KIAG 10-32 neg. – KIAG 10-32 neg.</p>

1700A_000-347e-10.10

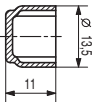
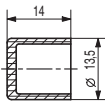
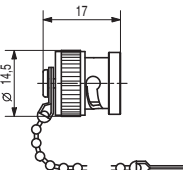
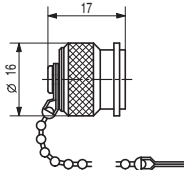
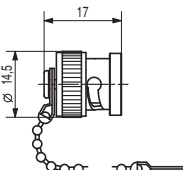
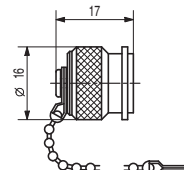
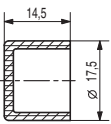
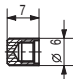
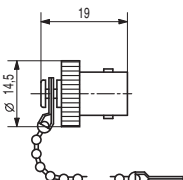
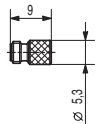
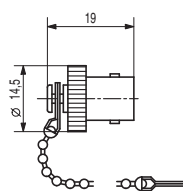
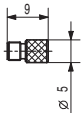
Type		Type	
1729A2	 <p>Coupling with plastic flange</p>	1743	 <p>T-Coupling</p>
	<p>KIAG 10-32 neg. – KIAG 10-32 neg.</p>		<p>BNC pos. 2xBNC neg.</p>
1731A	 <p>Coupling</p>	1747	 <p>T-Coupling</p>
	<p>BNC neg. – Banana plug pos.</p>		<p>2 x TNC neg. – TNC pos.</p>
1733	 <p>Coupling</p>	1749	 <p>T-Coupling</p>
	<p>BNC pos. – Banana plug neg.</p>		<p>KIAG 10-32 pos. – 2xKIAG 10-32 neg.</p>
1739	 <p>Insulating coupling</p>	1803	 <p>Cable plug, for 2 mm cable</p>
	<p>BNC neg. – BNC pos.</p>		<p>BNC pos.</p>
1741	 <p>T-Coupling</p>	1804	 <p>Cable plug</p>
	<p>3 x BNC neg.</p>		<p>Microtech 4-pin neg.</p>

1700A_000-347e-10.10

Type		Type	
1809	 <p>Chassis socket</p> <p>BNC neg.</p>	1837	 <p>Cable plug</p> <p>Lemo BIAx FE 0,550 pos.</p>
1813	 <p>Cable plug, for 2 mm cable</p> <p>TNC pos.</p>	1838	 <p>Coupling</p> <p>Lemo BIAx RCE 0,550 neg.</p>
1819	 <p>Chassis socket</p> <p>TNC neg.</p>	1843	 <p>Angle plug, for 2 mm Cable</p> <p>KIAG 10-32 pos.</p>
1835A	 <p>Cable plug</p> <p>Fischer SE 102A014, BIAx, pos.</p>	1847A	 <p>Mini-Koax jack for cables d = 2 mm, for external and internal crimping</p> <p>Mini-Koax neg.</p>
1836A	 <p>Coupling</p> <p>Fischer KE 102A014, BIAx neg.</p>	1849A	 <p>Mini-Koax jack for cables d = 2 mm, for external and internal crimping</p> <p>Mini-Koax pos.</p>

1700A_000-347e-10.10

Cover and Protective Caps

Type		Type			
1851		Protective cap, for BNC neg., plastic	1871		Protective cap, for TNC neg., plastic
1853		Cover with chain for BNC neg.	1873		Cover with chain for TNC neg.
1855		Short circuit cover, with chain for BNC neg.	1875		Short circuit cover, with chain for TNC neg.
1861A		Protective cap, for BNC pos., plastic	1891		Protective cap, for Microdot neg., plastic
1863		Cover with chain for BNC pos.	1893A		Protective cap, for Microdot pos., plastic
1865		Short circuit cover, with chain for BNC pos.	1897A		Protective cap, for M4x0,35 pos., plastic

1700A_000-347e-10.10