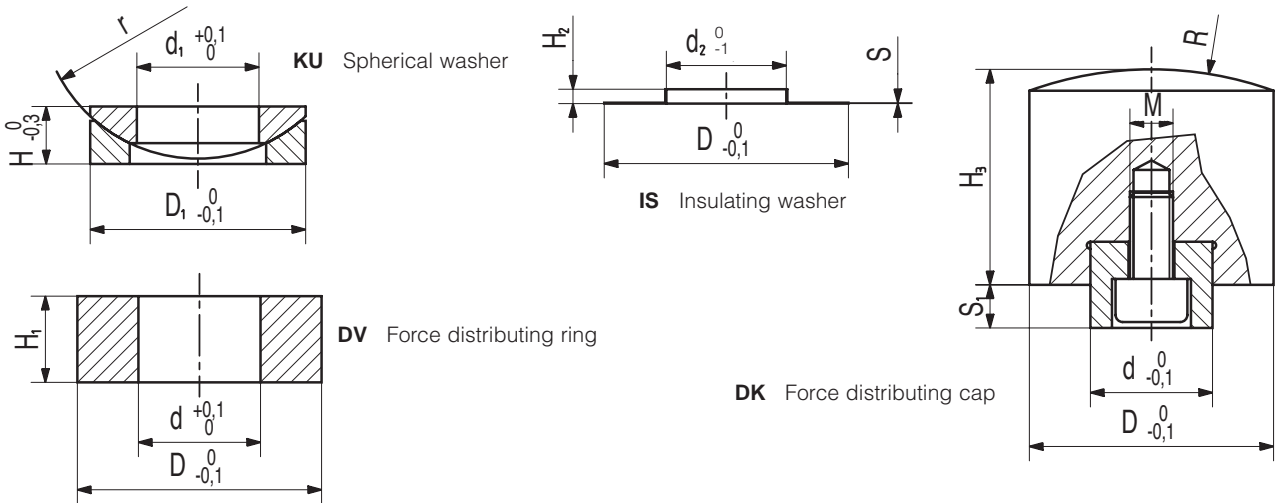


# MOUNTING ACCESSORIES FOR LOAD WASHERS

Standardized mounting accessories for special cases for the fitting of load washers of Types 9001A ... 9071A.

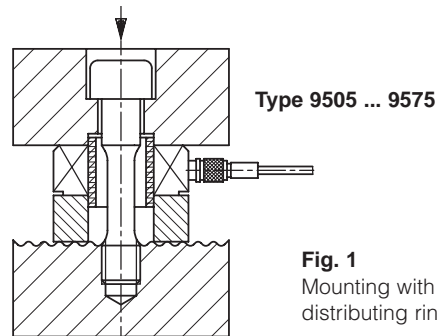


## Technical Data

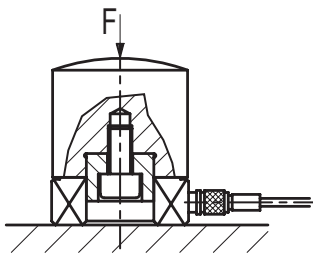
Sensor	KU	DV	IS	DK	Dimension														
					Type	Type	Type	Type	Type	$d_1$	$D_1$	H	r	d	D	$H_1$	$d_2$	$H_2$	S
9001A	–	9505	–	9509	–	–	–	–	–	4,1	10	6	–	–	–	10	3,5	M2,5	13
9011A	9513	9515	9517	9519	6,4	12	4	9	–	6,5	14	8	6,4	1	0,13	15	4,0	M2,5	20
9021A	9523	9525	9527	9529	10,5	21	6	15	–	10,5	22	10	10,3	1	0,13	20	5,0	M4	30
9031A	9533	9535	9537	9539	13,0	24	7	17	–	13,0	28	11	12,8	1	0,13	25	5,5	M5	40
9041A	9543	9545	9547	9549	17,0	30	8	22	–	17,0	34	12	16,7	2	0,13	30	6,0	M6	50
9051A	9553	9555	9557	9559	21,0	36	10	27	–	21,0	40	13	20,7	2	0,13	40	6,5	M8	60
9061A	9563	9565	9567	9569	26,5	52	14	45	–	26,5	52	15	26,2	2	0,13	50	7,5	M10	75
9071A	9573	9575	9577	9579	40,5	75	20	65	–	40,5	75	17	40,2	2	0,13	60	8,5	M12	110

### Force distributing rings (Fig. 1)

If it is not possible to machine the bearing areas extremely fine, at least they must be plane and rigid. To prevent partial overloading and destruction of the load washer surface, a force distributing ring must be used.



**Fig. 1**  
Mounting with use of a force distributing ring



Type 9509 ... 9579

Fig. 2 Application of the force via a force distributing cap

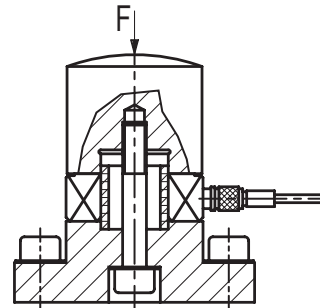


Fig. 3 Application of the force via a preloaded force distributing cap

### Force distributing caps (Fig. 2 + 3)

If concentration of the applied force in one point cannot be avoided, a force distributing cap may be used. The purpose is to distribute the concentrated force evenly over the whole load washer. The bearing surface for the load washer must again be machined extremely fine. If not, a force distributing ring must be added to setup.

Type 9513 ... 9573

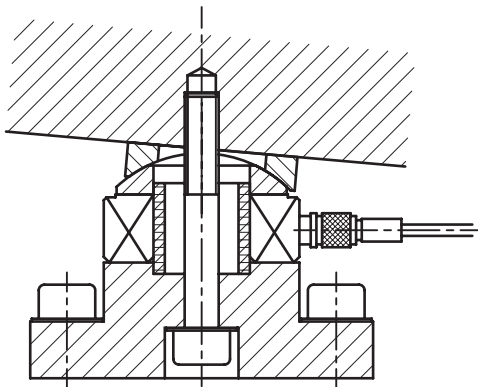


Fig. 4 Mounting with spherical washers

Type 9517 ... 9577

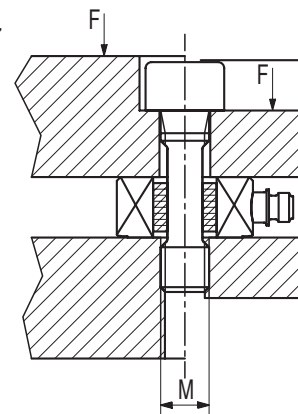


Fig. 5 Insulating washer for ground insulation

### Spherical washers (Fig. 4)

Where no precisely parallel mounting surface can be provided, a spherical washer must be used for adaptation. It is still required that the bearing surface must be precisely machined and flat.

### Insulating washers (Fig. 5)

To prevent noise effects caused by ground loops or when the measuring object does not possess the same electrical potential as the amplifier case, insulating washers must be used. To avoid damage, the bearing surfaces must be finely machined and smooth. Normally the insulating washers can be used only once.

For each load washer two insulating washers are needed.

### Attention:

These insulating washers with collars can only be fitted where no traversing centering bush is installed.