

FEATURES :

- Low profile
- Calibration traceable to the National Bureau of Standards
- Low sensitivity to extraneous loads
- Low deflection
- Barometrically compensated construction (except 3108)
- Built-in temperature compensation
- Circuitry provides true temperature compensation

The load cells listed are precision general purpose designs, having exceptional structural capability to withstand extraneous loads, such as torque, bending moments and side loads. Available in capacities from 5 lbs. to 300 lbs., they offer maximum performance and highest accuracy under changing environmental conditions.

Minimum deflection, no moving parts and compactness make Lebow® general-purpose load cells easy to install and use.

**PERFORMANCE SPECS :
3108, 3167 AND 3397**

SPECIFICATIONS	3108	3167	3397
Output at rated capacity: <i>millivolts per volt, nominal</i>	2±0.25%	2 nominal	2±0.25%
Nonlinearity: <i>of rated output</i>	±0.1%	±0.05%	±0.05%
Hysteresis: <i>of rated output</i>	±0.1%	±0.05%	±0.05%
Repeatability: <i>of rated output</i>	±0.05%	±0.02%	±0.02%
Zero balance: <i>of rated output</i>	±1.0%	±5.0%	±1.0%
Bridge resistance: <i>ohms nominal</i>	350	350	350
Temperature range, compensated: °F	+70 to +170	+70 to +170	+70 to +170
Temperature range, compensated: °C	+21 to +77	+21 to +77	+21 to +77
Temperature range, usable: °F	-65 to +200	-65 to +200	-65 to +200
Temperature range, usable: °C	-54 to +93	-54 to +93	-54 to +93
Temperature effect on output: <i>of reading per °F</i>	±0.002%	±0.002%	±0.002%
Temperature effect on output: <i>of reading per °C</i>	±0.0036%	±0.0036%	±0.0036%
Temperature effect on zero: <i>of rated output per °F</i>	±0.002%	±0.002%	±0.002%
Temperature effect on zero: <i>of rated output per °C</i>	±0.0036%	±0.0036%	±0.0036%
Excitation voltage, maximum: <i>volts DC or AC rms</i>	20	20	20
Insulation resistance, bridge/case: <i>megohms at 50 VDC</i>	>5,000	>5,000	>5,000
Number of bridges:	1 or 2	1	1 or 2

MODELS 3397 AND 3108

Tension and compression 5 lbs. to 300 lbs.



Model 3397 shown

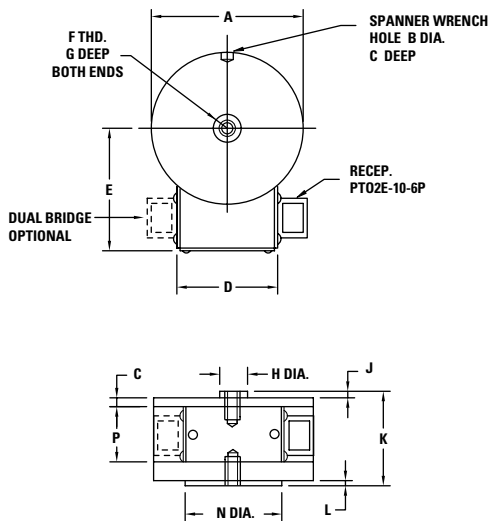
3397—Capacities available 25 to 300 lbs.

3108—Capacities available 5 and 10 lbs.

MODEL 3167

Capacities available 25 to 300 lbs.

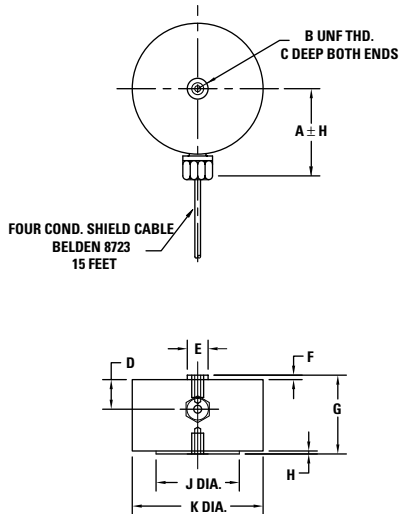
**Consult factory
for specials.**



3397	IN.	CM.
A	2.75	6.98
B	0.22	0.55
C	0.13	0.32
D	1.75	4.44
E	2.22	5.60
F	¼-28	-
G	0.50	1.27
H	0.44	1.10
J	0.09	0.24
K	1.50	3.80
L	0.06	0.16
N	1.75	4.44
P	1	2.54

3108	IN.	CM.
A	2.75	6.98
B	0.22	0.55
C	0.13	0.32
D	1.75	4.44
E	2.22	5.60
F	¼-28	-
G	0.38	1.27
H	0.44	1.10
J	0.28	0.71
K	1.50	3.80
L	0.06	0.16
N	1.63	4.13
P	1	2.54

Note: The 3108 mounting configuration is similar to the 3397.



3167	IN.	CM.
A	2.25	5.72
B	¼-28	-
C	0.38	0.95
D	0.44	1.10
E	0.44	1.10
F	0.09	0.24
G	1.50	3.80
H	0.06	0.16
J	1.75	4.44
K	2.75	6.98

SENSOR CHARACTERISTICS : 3108, 3167 AND 3397

MODEL NUMBER	NOMINAL LOAD LIMIT CAPACITY F ₂		STATIC OVERLOAD CAPACITY % OF NOM. CAPACITY	STATIC EXTRANEIOUS LOAD LIMITS			DEFLECTION AT NOM. LOAD LIMIT INCHES	RINGING FREQUENCY H _z
	LBS.	NEWTONS		SHEAR F _x OR F _y LBS.	BENDING M _x OR M _y LB. INCHES	TORQUE M _z LB. INCHES		
3108	5	20	150	30	30	3	0.005	500
	10	50	150	40	40	4	0.005	900
3167	25	125	150	150	150	40	0.003	2,100
	50	200	150	150	150	40	0.003	2,800
	100	500	150	250	180	40	0.003	3,800
	200	1K	150	250	180	40	0.003	5,400
	300	1.5K	150	250	180	40	0.003	7,000
3397	25	125	150	150	150	40	0.003	2,100
	50	200	150	150	150	40	0.003	2,800
	100	500	150	250	180	40	0.003	3,800
	200	1K	150	250	180	40	0.003	5,400
	300	1.5K	150	250	180	40	0.003	7,000



ORDER TOLL FREE (800) 803-1164