

FEATURES :

- Low profile
- Calibration traceable to the National Bureau of Standards
- Low sensitivity to extraneous loads
- Low deflection
- Rugged welded construction
- Built-in temperature compensation
- Circuitry provides true temperature compensation

The load cell listed is a precision general purpose design, having exceptional structural capability to withstand extraneous loads, such as torque, bending moments and side loads. Available in capacities from 500 lbs. to 5,000 lbs., it offers maximum performance and highest accuracy under changing environmental conditions.

Minimum deflection, no moving parts and compactness make Lebow® general-purpose load cells easy to install and use.

PERFORMANCE SPECS : 3132**SPECIFICATIONS**

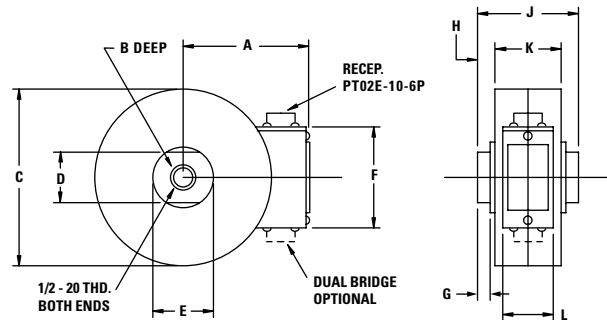
Output at rated capacity: <i>millivolts per volt, nominal</i>	3 ± 0.25%
Nonlinearity: <i>of rated output</i>	± 0.1%
Hysteresis: <i>of rated output</i>	± 0.1%
Repeatability: <i>of rated output</i>	± 0.05%
Zero balance: <i>of rated output</i>	± 1.0%
Bridge resistance: <i>ohms nominal</i>	350
Temperature range, compensated: °F	+70 to +170
Temperature range, compensated: °C	+21 to +77
Temperature range, usable: °F	-65 to +200
Temperature range, usable: °C	-54 to +93
Temperature effect on output: <i>of reading per °F</i>	± 0.002%
Temperature effect on output: <i>of reading per °C</i>	± 0.0036%
Temperature effect on zero: <i>of rated output per °F</i>	± 0.002%
Temperature effect on zero: <i>of rated output per °C</i>	± 0.0036%
Excitation voltage, maximum: <i>volts DC or AC rms</i>	20
Insulation resistance, bridge/case: <i>megohms at 50 VDC</i>	>5,000
Number of bridges:	1 or 2

MODEL 3132

Tension and compression 500 lbs. to 5,000 lbs.



Capacities available 500 lbs. to 5K lbs.



3132	IN.	CM.
A	2.62	6.65
B	0.63	1.60
C	3.50	8.89
D	1	2.54
E	1.19	3.02
F	1.75	4.45
G	0.25	0.64
H	0.34	8.70
J	2	5.08
K	1.31	3.33
L	1	2.54

SENSOR CHARACTERISTICS : 3132

MODEL NUMBER	NOMINAL LOAD LIMIT CAPACITY F ₂		STATIC OVERLOAD CAPACITY % OF NOM. CAPACITY	STATIC EXTRANEOUS LOAD LIMITS			DEFLECTION AT NOM. LOAD LIMIT INCHES	RINGING FREQUENCY Hz
	LBS.	NEWTONS		SHEAR F _x OR F _y LBS.	BENDING M _x OR M _y LB. INCHES	TORQUE M _z LB. INCHES		
3132	500	2K	150	1,400	2,800	1,100	0.005	1,600
	1K	5K	150	2,000	3,900	1,100	0.005	2,000
	2K	10K	150	2,800	5,000	1,100	0.005	3,200
	3K	15K	150	3,400	5,500	1,100	0.005	4,100
	5K	20K	150	4,200	5,500	1,100	0.005	5,000