

# MODEL 3140-CS CALIBRATION STANDARD



Consult factory  
for specials.

## FEATURES :

- 300 lbs. through 100,000 lbs.
- Universal tension and compression loading
- High accuracy
- Low profile
- 150% FS safe overload capability
- Available in single or optional dual bridge configuration
- Metric sizes available
- Factory installed calibration adapters
- Eccentric load compensated
- High-precision base installed

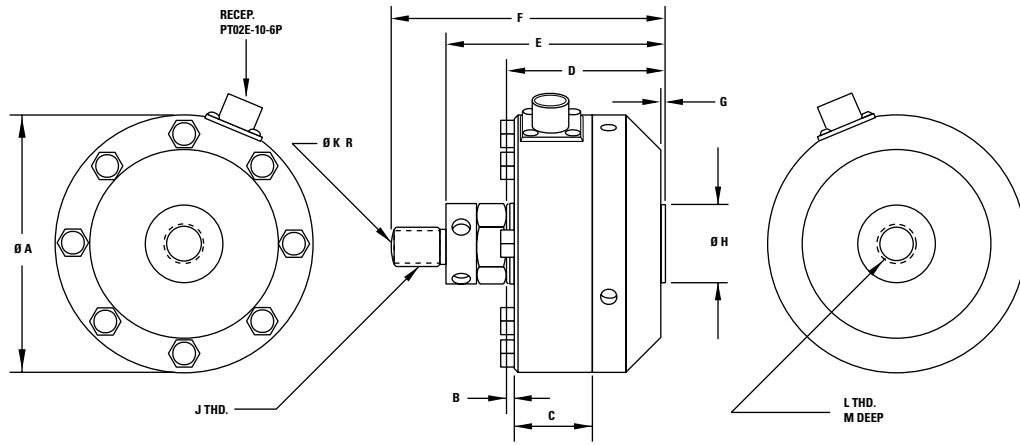
The Model CS3140 load cell series has been designed as a reference standard for calibration labs in automotive, aerospace, military or industrial markets. These new tension/compression load cells can be used when accuracy is a high-priority requirement.

Some advantages of these new load cells are: compact size, high accuracy and availability.

## PERFORMANCE SPECS : 3140-CS SERIES

### SPECIFICATIONS

	300 to 2K	5K to 10K	25K to 100K
<b>Rated capacity:</b> lbs.	300 to 2K	5K to 10K	25K to 100K
<b>Output at rated capacity:</b> <i>millivolts per volt, nominal</i>	2.0	4.0	4.0
<b>Maximum nonlinearity error:</b> <i>of full scale output</i>	±0.02%	±0.04%	±0.04%
<b>Maximum hysteresis error:</b> <i>of full scale output</i>	±0.02%	±0.04%	±0.05%
<b>Maximum non-repeatability:</b> <i>of full scale output</i>	±0.005%	±0.005%	±0.005%
<b>Zero balance:</b> <i>of full scale output</i>	±1.0%	±1.0%	±1.0%
<b>Input resistance:</b> ohms	350 +40/-3.5	350 +40/-3.5	350 +40/-3.5
<b>Output resistance:</b> ohms	350 ±3.5	350 ±3.5	350 ±3.5
<b>Excitation voltage, maximum:</b> <i>volts DC</i>	10	10	10
<b>Creep:</b> <i>of reading in 20 minutes</i>	±0.01%	±0.01%	±0.01%
<b>Off-center load sensitivity:</b> <i>/inch</i>	±0.10%	±0.25%	±0.25%
<b>Side load sensitivity:</b>	±0.10%	±0.25%	±0.25%
<b>Temperature range, operating:</b> °F	-65 to +200	-65 to +200	-65 to +200
<b>Temperature range, compensated:</b> °F	+15 to +115	+15 to +115	+15 to +115
<b>Maximum temperature effect on output:</b> <i>of reading/100°F</i>	0.08%	0.08%	0.08%
<b>Maximum temperature effect on zero:</b> <i>of rated output/100°F</i>	0.08%	0.08%	0.08%
<b>Static overload capacity:</b> <i>of rated output</i>	150%	150%	150%
<b>Insulation resistance, bridge/case:</b> megohms	>5,000	>5,000	>5,000



MODEL NUMBER	CAPACITY LBS.	ØA	B	C	D	E	F	G	ØH	J THD	ØK RADIUS	L THD	M
3143-CS-300	300	4.12	0.13	1.25	2.50	3.44	4.18	0.03	1.25	½-20 UNF 3A	6.00	½-20 UNF 3B	0.88
3143-CS-500	500	4.12	0.13	1.25	2.50	3.44	4.18	0.03	1.25	½-20 UNF 3A	6.00	½-20 UNF 3B	0.88
3143-CS-1K	1,000	4.12	0.13	1.25	2.50	3.44	4.18	0.03	1.25	½-20 UNF 3A	6.00	½-20 UNF 3B	0.88
3143-CS-2K	2,000	4.12	0.13	1.25	2.50	3.44	4.18	0.03	1.25	½-20 UNF 3A	6.00	½-20 UNF 3B	0.88
3144-CS-5K	5,000	4.12	0.13	1.25	2.50	3.44	4.19	0.03	1.25	⅝-18 UNF 3A	6.00	⅝-18 UNF 3B	0.88
3144-CS-10K	10,000	4.12	0.13	1.25	2.50	3.44	4.19	0.03	1.25	⅝-18 UNF 3A	6.00	⅝-18 UNF 3B	0.88
3145-CS-25K	25,000	6.06	0.13	1.63	3.50	4.94	6.44	0.03	1.25	1¼-12 UNF 3A	6.00	1¼-12 UNF 3B	1.50
3145-CS-50K	50,000	6.06	0.13	1.63	3.50	4.94	6.44	0.03	2.25	1¼-12 UNF 3A	6.00	1¼-12 UNF 3B	1.50
3146-CS-100K	100,000	8.00	0.25	2.25	4.50	6.13	7.88	0.03	3.00	1¾-12 UNF 3A	12.00	1¾-12 UNF 3B	1.75

Dimensions are in inches.