

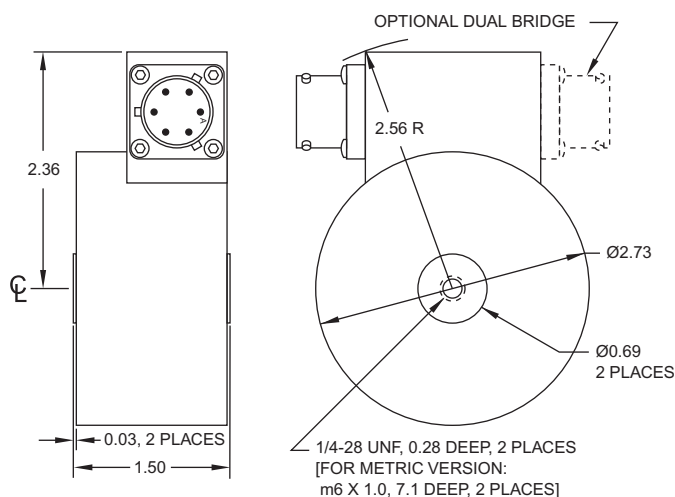
Lebow® Products Inc.

Model 3149-FR

LOW CAPACITY FATIGUE LOAD CELL

PRODUCT FEATURES

- Fatigue Rated
- Miniature (Only 2.75" dia./1.50" height)
- High Accuracy



OPTIONS

- Additional Bridges
- Output Adjustment to Standard Value
- Integral Cable
- Custom Connectors

ACCESSORIES

- Mating Connector
- Loading Fixtures
- Interconnect Cable
- Shunt Calibration Resistor
- Instrumentation

PERFORMANCE SPECIFICATIONS

PARAMETERS	MODEL 3149-FR CAPACITY (lbf) 50, 100, 300
Accuracy	
Zero Balance, % R.O.	±1.0
Non Linearity, % R.O.	±0.05
Hysteresis, % R.O.	±0.05
Non-Repeatability, % R.O.	±0.01
Static Error Band, % R.O.	±0.05
Creep, % Reading in 20 Minutes	±0.03
Temperature	
Range, Compensated, °F	+15 to +115
Range, Operating, °F	-65 to +200
Effect on Sensitivity, % Rdg/100 °F	0.08
Effect on Zero, % R.O./100 °F	0.15
Electrical	
Excitation Voltage, Recommended, Vdc	10
Input Resistance, Ohms	700 +40/-3.5
Output Resistance, Ohms	700 ±3.5
Sensitivity (Rated Output), mV/V, Nominal	2
Insulation Resistance, Bridge/Case, Meg Ohm	5000 @ 50VDC
Mechanical	
Safe Overload Range, % R.O.	150
Weight (lbs.)	0.8
Flexure Material	Aluminum