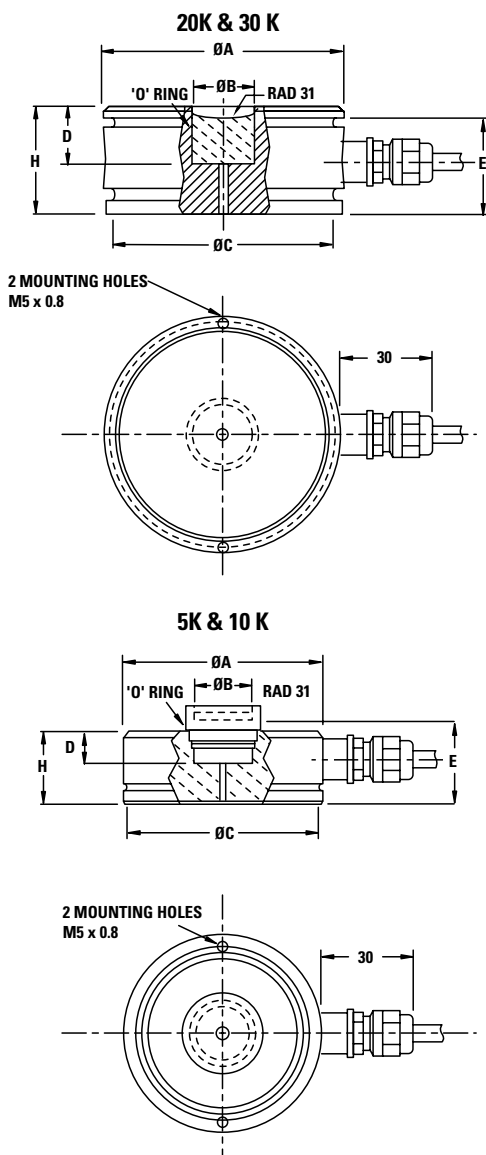


MODELS 3310

High accuracy compression load cells



CAPACITY	ØA	ØB	ØC	D	E	H
5,000	80	19	70	20	33.4	30
10,000	92	28	80	14.6	33.4	33
20,000	110	29	101.5	26.3	39	50
30,000	110	29	101.5	26.3	39	50

FEATURES :

- Capacities: 5,000, 10,000, 20,000 and 30,000 Kg
- Stainless steel construction
- Small size, low profile
- Current matched and rationalized
- Fully welded, providing IP68 protection

Model 3310 is a low-profile bending ring load cell designed for high-capacity weighing applications, including weigh-bridges, tanks, silos and high-capacity platform scales as well as force measurement.

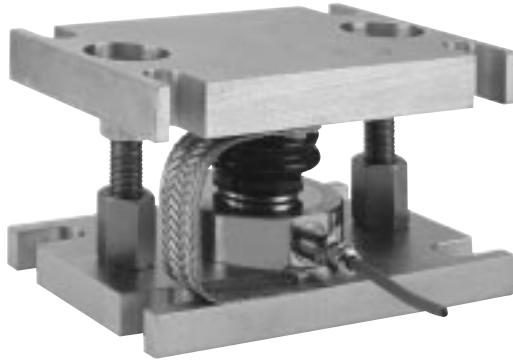
Its small physical size, combined with high accuracy and low cost, makes this load cell ideally suited for modern, low-profile designs in both approved applications and process weighing.

PERFORMANCE SPECS : 3310

SPECIFICATIONS	STANDARD
Rated capacity: Kg	5,000, 10,000, 20,000, 30,000
Rated output: mV/V	2.0 ± 10%
Total error: of applied load	0.050%
Zero return after 30 mins: of applied load	± 0.050%
Zero balance: of rated output	± 3.0%
Temperature effect on output: of rated output/°C	± 0.0040%
Temperature effect on zero: of rated output/°C	± 0.0028%
Temperature range, operating: °C	-30 to +70
Temperature range, compensated: °C	-10 to +40
Safe overload: of rated capacity	150%
Ultimate overload: of rated capacity	300%
Input impedance: ohms	1065 ± 50
Output impedance: ohms, nominal	1,000
Insulation impedance: megohms	>2000
Deflection at rated capacity: mm	<0.5
Weight: Kg (including cable)	1.10 (5K), 1.50 (10K) 3.25 (20K & 30K)
Construction:	Stainless steel
Environmental protection:	IP68



ORDER TOLL FREE (800) 803-1164

MODEL 3310 ACCESSORIES

Silo Mount



Rocker Pin Mount

Summing junction boxes available; see page 99.

Wiring Schematic Diagram