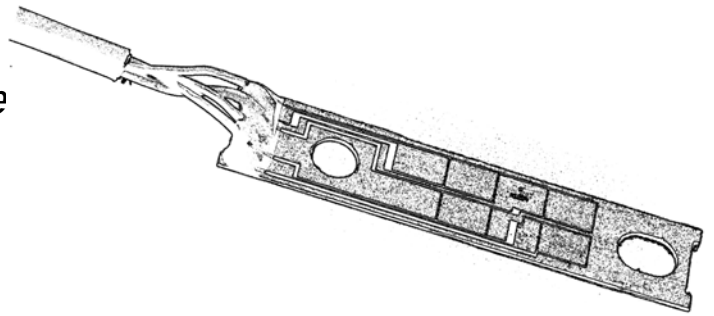


Model 801

Planar Beam Sensor

- *Measures force, pressure, displacement or acceleration*
- *Thermally matched, fully active, full bridge gauge for optimum temperature tracking*
- *Compatible with automated assembly techniques*



specifications

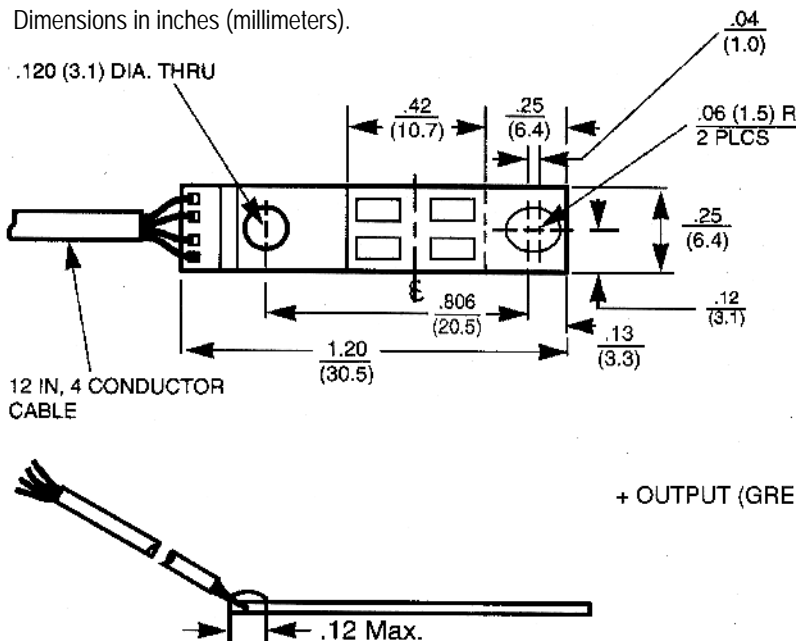
| | | | |
|---|--|--|---------------------------------|
| Capacity [lb (kg)] | 0.25, 0.5, 1.0, 2.0, 5.0 (0.11, 0.23, 0.45, 0.91, 2.27) | Zero Balance (%FS) | 15.0 |
| Insulation Resistance (megaohm @ 50Vdc) | 1000 minimum | Comp. Temp. Range | 20 to 120°F (-7 to 49°C) |
| Rated Output (mV/V) | 2.0±0.4 | Operating Temp. Range | -65 to 200°F (-54 to 93°C) |
| Bridge Resistance (input) | 1200±300Ω | Temperature Sensitivity: Output (%FS/°F) | ±0.02 |
| Bridge Resistance (output) | 1200±300Ω | Temperature Sensitivity: Zero Balance (%FS/°F) | 0.25-0.5: ±0.03; 1.0-5.0: ±0.02 |
| Excitation Voltage | 10Vdc (12V max) | Safe Overload (%FS) | 150 |
| Combined Error (%FS) ^{1,2} | 0.25 max | Safe Sideboard (%FS) | 200 |
| | | Deflection at Full Scale ² | 0.005 to 0.025 inches |

(1) The maximum deviation for both increasing and decreasing load from a straight line between no load and rate load at constant temperature; includes effects of non-linearity, hysteresis, and non-repeatability.

(2) Actual levels depend on beam clamping method.

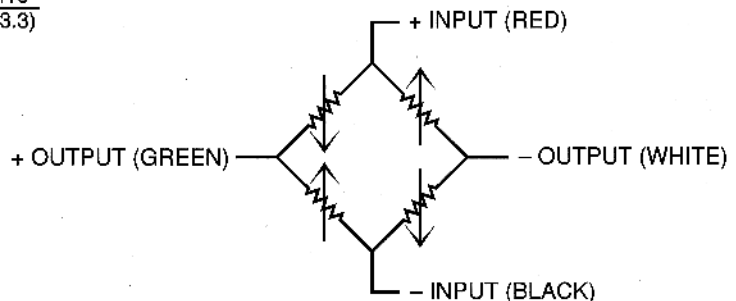
NOTE: Specifications subject to change. Request certified drawings prior to designing mountings or fixtures.

Dimensions in inches (millimeters).



Electrical Connection

| | |
|--------------|--------|
| + Excitation | Red |
| - Excitation | Black |
| + Signal | Green |
| - Signal | White |
| Shield | Silver |



INTERTECHNOLOGY
INC.

19 Waterman Ave, Toronto, Ont. M4B1Y2
Ph#416-445-5500 Fax#416-445-1170
Toll Free: 1-800-465-1600
Email: sales@intertechnology.com
Website: www.intertechnology.com

ISO9001
Certified