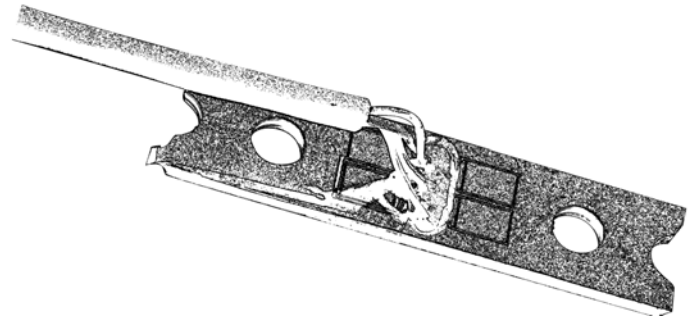


Model 802

Planar Beam Sensor

- *Measures force, pressure, displacement or acceleration*
- *Thermally matched, fully active, full bridge gauge for optimum temperature tracking*
- *Compatible with automated assembly techniques*



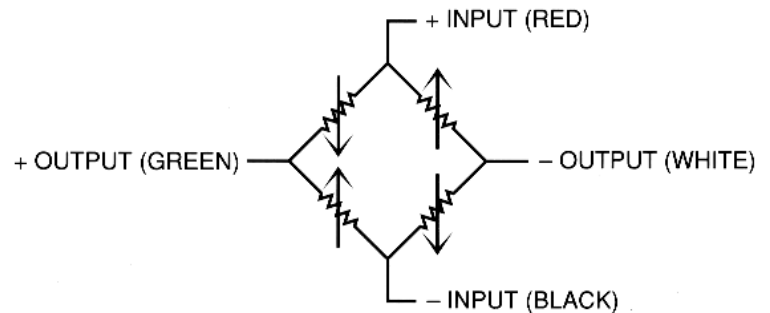
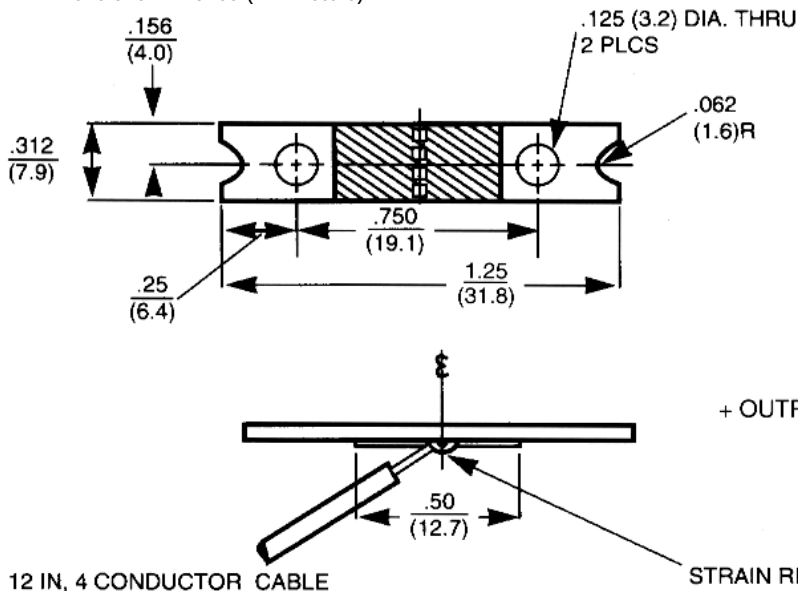
specifications

Capacity [lb (kg)]	1.0, 2.0, 5.0, 10.0, 20.0, 40.0 (0.45, 0.91, 2.27, 4.54, 9.07, 18.14)	Zero Balance (%FS)	15.0
Insulation Resistance (megaohm @ 50Vdc)	1000 minimum	Comp. Temp. Range	20 to 120°F (-7 to 49°C)
Rated Output (mV/V)	2.0±0.4	Operating Temp. Range	-65 to 200°F (-54 to 93°C)
Bridge Resistance (input)	1200±300Ω	Temperature Sensitivity: Output (%FS/°F)	±0.02
Bridge Resistance (output)	1200±300Ω	Temperature Sensitivity: Zero Balance (%FS/°F)	0.25-0.5: ±0.03; 1.0-5.0: ±0.02
Excitation Voltage	10Vdc (12V max)	Safe Overload (%FS)	150
Combined Error (%FS) ^{1,2}	0.25 max	Safe Sideboard (%FS)	100
		Deflection at Full Scale ²	0.005 to 0.025 inches

- (1) The maximum deviation for both increasing and decreasing load from a straight line between no load and rate load at constant temperature; includes effects of non-linearity, hysteresis, and non-repeatability.
- (2) Actual levels depend on beam clamping method.

NOTE: Specifications subject to change. Request certified drawings prior to designing mountings or fixtures.

Dimensions in inches (millimeters).



INTERTECHNOLOGY
INC.

19 Waterman Ave, Toronto, Ont. M4B1Y2
Ph#416-445-5500 Fax#416-445-1170
Toll Free: 1-800-465-1600
Email: sales@intertechnology.com
Website: www.intertechnology.com

ISO9001
Certified