

## Compression Load Cell



### FEATURES

- Capacities: 50Klbs and 100Klbs
- Environmental protection: IP68 (DIN 40.050)
- Material: Stainless Steel
- Hermetically sealed

### OPTIONAL FEATURE

- FM approved for use in potentially explosive atmosphere

### DESCRIPTION

The 92 canister is designed for compression applications. Its stainless steel construction combined with hermetically sealing allows the 92 to be used in harsh environments.

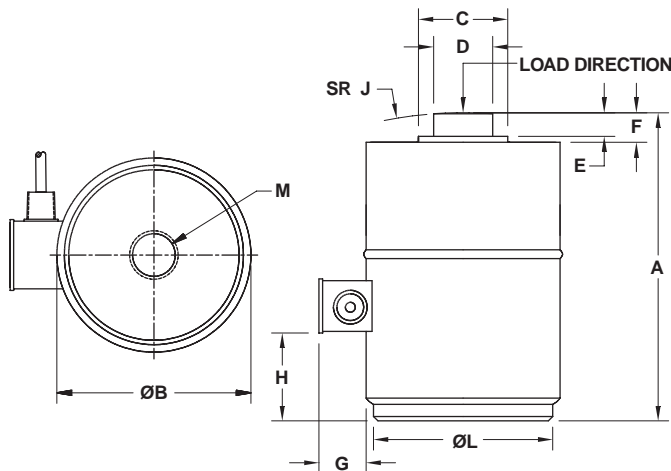
A large range of capacities is available.

Hermetic sealing offers excellent protection from moisture and provides longterm stability and reliability.

### APPLICATIONS

- Silo, tanks and hoppers
- Suspended silos, tanks and hoppers
- Railroad scales
- Weighbridges

### OUTLINE DIMENSIONS in inches



#### Cable specifications:

- Cable length: 12.2m (40ft)
- Excitation + Red
- Excitation - Black
- Output + Green
- Output - White
- Shield Transparent

Cable screen is not connected to load cell body

Capacity	50K	100K
A	6.00	8.50
B	4.25	5.03
C	1.63	2.45
D	1.50	1.75
E	0.10	0.10
F	0.50	0.63
G	1.18	1.25
H	1.49	2.90
M UNF deep	3/4-16 0.56	3/4-16 0.56
J	6.00	12.00

**SPECIFICATIONS**

PARAMETER	VALUE		UNIT
	Imperial		
Capacities	50K, 100K		lbs
Accuracy class	<b>Non-Approved</b>		
Rated output (=S)	Model 92: 2±0.002	Model 93: 3±0.003	mV/V
Zero balance	1.0		±% FSO
Combined error	0.0500		±% FSO
Creep error (20 minutes)	0.0300		±% applied load
Temperature effect on zero	0.0090 (0.0010)		±% FSO/5°C (°F)
Temperature effect on output	0.0135 (0.0015)		±% applied load/5°C (°F)
Compensated temperature range	-10 to +40 (+14 to +104)		°C (°F)
Operating temperature range	-53 to +93 (-65 to +200)		°C (°F)
Safe load limit	150		%E <sub>max</sub>
Ultimate load	200		%E <sub>max</sub>
Safe side load limit	10		%E <sub>max</sub>
Excitation voltage recommended	10		V
Excitation voltage maximum	15		V
Input resistance	350±3.5		Ω
Output resistance	350±3.5		Ω
Insulation resistance at 50VDC	≥5000		MΩ
Environmental protection	IP68		
Element material	Stainless steel		

FSO-Full Scale Output

**Mounting:**

Correct mounting of the load cells is essential to ensure optimum accuracy and performance. Further information is available upon request.

## Disclaimer

ALL PRODUCTS, PRODUCT SPECIFICATIONS AND DATA ARE SUBJECT TO CHANGE WITHOUT NOTICE.

Vishay Precision Group, Inc., its affiliates, agents, and employees, and all persons acting on its or their behalf (collectively, "Vishay Precision Group"), disclaim any and all liability for any errors, inaccuracies or incompleteness contained herein or in any other disclosure relating to any product.

The product specifications do not expand or otherwise modify Vishay Precision Group's terms and conditions of purchase, including but not limited to, the warranty expressed therein.

Vishay Precision Group makes no warranty, representation or guarantee other than as set forth in the terms and conditions of purchase. **To the maximum extent permitted by applicable law, Vishay Precision Group disclaims (i) any and all liability arising out of the application or use of any product, (ii) any and all liability, including without limitation special, consequential or incidental damages, and (iii) any and all implied warranties, including warranties of fitness for particular purpose, non-infringement and merchantability.**

Information provided in datasheets and/or specifications may vary from actual results in different applications and performance may vary over time. Statements regarding the suitability of products for certain types of applications are based on Vishay Precision Group's knowledge of typical requirements that are often placed on Vishay Precision Group products. It is the customer's responsibility to validate that a particular product with the properties described in the product specification is suitable for use in a particular application.

No license, express, implied, or otherwise, to any intellectual property rights is granted by this document, or by any conduct of Vishay Precision Group.

The products shown herein are not designed for use in life-saving or life-sustaining applications unless otherwise expressly indicated. Customers using or selling Vishay Precision Group products not expressly indicated for use in such applications do so entirely at their own risk and agree to fully indemnify Vishay Precision Group for any damages arising or resulting from such use or sale. Please contact authorized Vishay Precision Group personnel to obtain written terms and conditions regarding products designed for such applications.

Product names and markings noted herein may be trademarks of their respective owners.