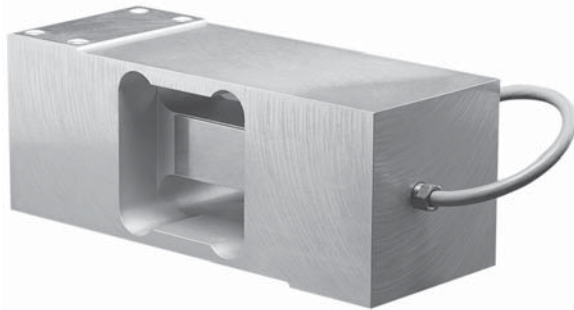


### Low Profile Platform Load Cell



#### FEATURES

- Rated capacities of 100 to 2000 pounds
- Unique shear beam design - aluminum construction
- Moment-compensated design for minimal sensitivity to moments induced by off-center loading
- Ideal for situations exceeding the capabilities of similar "brick" design load cells
- Trade certified for NTEP Class III:5000 divisions; Class IIIL:10000 divisions and OIML R60 3000 divisions
- *Sensorgage*™ sealed to IP67 standards
- Factory Mutual System Approved for Classes I, II, III; Divisions 1 and 2; Groups A through G. Also, non-incendive ratings (No barriers!)
- Also available in stainless steel

#### DESCRIPTION

Model 60060 is a single point load cell designed for direct mounting of large platforms.

The product is a cost-effective load cell for use on counting, weighing, bench or floor scale products.

This high accuracy load cell is approved to OIML R60, NTEP and other stringent approval standards. Suitable for use in hazardous environments, these load cells can be provided with European approval to EEx ia IIC T4 and are FM approved to class I, II, III, Division I.

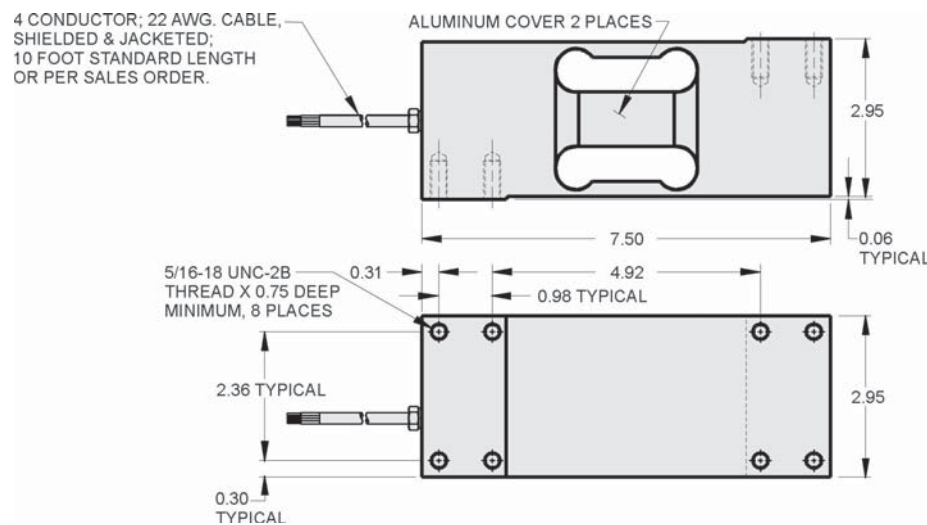
A special humidity-resistant protective coating assures longterm stability over the entire compensated temperature range.

The two additional sense wires, sample the bridge supply voltage at the load cell. Complete compensation of change on the in the lead wires resistance, due to temperature change and/or cable extension, is achieved by feeding this voltage into the appropriate electronics.

#### APPLICATIONS

- Single-point platform scales
- Belt conveyor scales
- Bench and counting scales
- Checkweighing scales
- Hopper scales and netweighing

#### OUTLINE DIMENSIONS in inches



#### Wiring

- + Excitation Red
- Excitation Black
- + Output Green
- Output White

CAPACITY	DEFLECTION	WEIGHT
100 - 250	0.010	6.0
500 - 2K	0.006	6.0

Capacities are in pounds. Deflection is ±10%. Certified drawings are available.

**SPECIFICATIONS**

PARAMETER	VALUE			UNIT
Rated capacity-R.C. ( $E_{max}$ )	100, 250, 500, 750, 1K, 2K			lbs
NTEP/OIML Accuracy class	NTEP IIII	Standard	OIML R60*	
Maximum no. of intervals (n)	10,000 multiple	--	3000	
$Y = E_{max}/V_{min}$	See NTEP Cert. No. 98-038			Maximum available
Rated output-R.O.	2.0			mV/V
Rated output tolerance	±10			±% mV/V
Zero balance	1.0			±% FSO
Combined error	0.02	0.03	0.02	±% FSO
Non-repeatability	0.010	0.015	0.010	±% FSO
Creep error (30 minutes)	0.03	0.05	0.017	±% of applied load
Temperature effect on zero	0.0010	0.0015	0.0010	±% FSO/°F
Temperature effect on output	0.0008	0.0008	0.0007	±% of load/°F
Compensated temperature range	14 to 104 (-10 to 40)			°F (°C)
Operating temperature range	0 to 150 (-18 to 65)			°F (°C)
Storage temperature range	-60 to 185 (-50 to 85)			°F (°C)
Safe sideload	100			% of R.C.
Safe overload	300			% of R.C.
Sideloading rejection ratio	500:1			
Excitation, recommended	10			Vdc or Vac rms
Excitation, maximum	15			Vdc or Vac rms
Input impedance	400 nominal			Ω
Output impedance	349 - 355			Ω
Sealing	IP67			
Material	Aluminum**			
Moment compensation	250 - 1Klbs	2Klbs		
Moment sensitivity	≤ 0.005	≤ 0.005		% of applied load/inch
Maximum moment	10 x capacity	10000		lbs-inches
Platform size	30 x 30	30 x 30		inches

\* 100 lbs is not approved by OIML

\*\* Stainless steel also available

FSO - Full Scale Output

All specifications subject to change without notice.

## Disclaimer

All product specifications and data are subject to change without notice.

Vishay Precision Group, Inc., its affiliates, agents, and employees, and all persons acting on its or their behalf (collectively, "Vishay Precision Group"), disclaim any and all liability for any errors, inaccuracies or incompleteness contained herein or in any other disclosure relating to any product.

Vishay Precision Group disclaims any and all liability arising out of the use or application of any product described herein or of any information provided herein to the maximum extent permitted by law. The product specifications do not expand or otherwise modify Vishay Precision Group's terms and conditions of purchase, including but not limited to the warranty expressed therein, which apply to these products.

No license, express or implied, by estoppel or otherwise, to any intellectual property rights is granted by this document or by any conduct of Vishay Precision Group.

The products shown herein are not designed for use in medical, life-saving, or life-sustaining applications unless otherwise expressly indicated. Customers using or selling Vishay Precision Group products not expressly indicated for use in such applications do so entirely at their own risk and agree to fully indemnify Vishay Precision Group for any damages arising or resulting from such use or sale. Please contact authorized Vishay Precision Group personnel to obtain written terms and conditions regarding products designed for such applications.

Product names and markings noted herein may be trademarks of their respective owners.