

## Stainless Steel, Welded Seal S-Beam Load Cell



### FEATURES

- Rated capacities of 500 to 10,000 pounds
- Stainless steel, welded seal construction
- Integral loading brackets
- Compatible with TCM tension mounting hardware
- Designed for single or multiple load cell applications
- Trade certified for NTEP Class III: 10000d and III: 5000d
- *Sensorgage™* sealed to IP68 standards
- Factory Mutual System Approved for Classes I, II, III; Divisions 1 and 2; Groups A through G. Also, non-incendive ratings (No barriers!).

### OPTIONAL FEATURE

- Mounting and loading accessory hardware available

### DESCRIPTION

Model 60063 is a stainless steel S-Type load cell. Its welded sealing combined with high accuracy, make this load cell ideally suited for a wide range of applications of process weighing and force measurement.

Approvals included NTEP III 5000d single and NTEP III 10000d multiple. Also available are versions approved for hazardous areas - FM I, II, III Division 1.

### APPLICATIONS

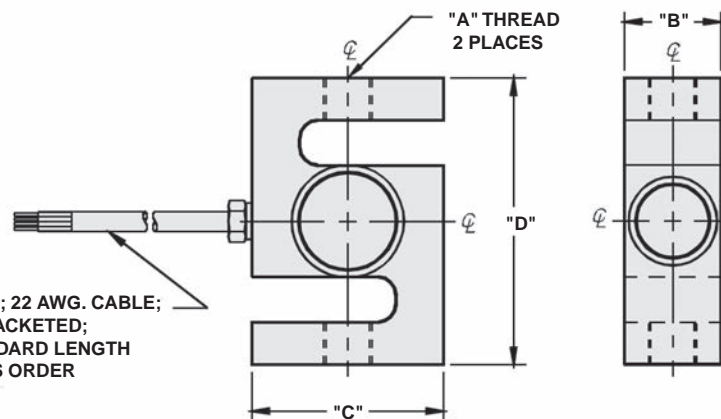
- Hostile environments: Food and beverage processing, Chemical and plastics processing, Pharmaceutical and biomedical
- Bin, hopper and belt conveyor scales
- Level and inventory monitoring
- Tension and compression measurements

### OUTLINE DIMENSIONS in inches

#### Wiring

+ Excitation	Red
- Excitation	Black
+ Output	Green
- Output	White

4 CONDUCTOR; 22 AWG. CABLE; SHIELDED & JACKETED; 20 FOOT STANDARD LENGTH OR PER SALES ORDER



CAPACITY	A	B	C	D	DEFLECTION	WEIGHT
500 - 3K	1/2-20	1.00	2.00	3.00	0.010	3.0
5K - 10K	3/4-16	1.00	3.50	4.75	0.010	5.00

Capacities are in pounds. Deflection is ± 10%. Certified drawings are available.

**SPECIFICATIONS**

PARAMETER	VALUE			UNIT
Rated capacity-R.C. ( $E_{max}$ )	500, 750, 1K, 1.5K, 2K, 2.5K, 3K, 5K, 10K*			lbs
NTEP/OIML Accuracy class	NTEP III	NTEP IIII	Standard	
Maximum no. of intervals (n)	5000 multiple	10000 multiple		
$Y = E_{max}/V_{min}$	See NTEP cert. 98-019			Maximum available
Rated output-R.O.	2.0			mV/V
Rated output tolerance	+25%...-10%			% mV/V
Zero balance	1.0			±% FSO
Combined error	0.02	0.02	0.03	±% FSO
Non-repeatability	0.01	0.01	0.015	±% FSO
Creep error (30 minutes)	0.025	0.03	0.03	±% FSO
Temperature effect on zero	0.0010	0.0010	0.0015	±% FSO/°F
Temperature effect on output	0.0008	0.0008	0.0008	±% of load/°F
Compensated temperature range	14 to 104 (-10 to 40)			°F (°C)
Operating temperature range	0 to 150 (-18 to 65)			°F (°C)
Storage temperature range	-60 to 185 (-50 to 85)			°F (°C)
Maximum safe central overload	150			% of R.C.
Ultimate central overload	300			% of R.C.
Excitation, recommended	10			Vdc or Vac rms
Excitation, maximum	15			Vdc or Vac rms
Input impedance	349 - 450			Ω
Output impedance	349 - 355			Ω
Insulation resistance at 50VDC	>1000			MΩ
Material	Stainless steel			
Environmental protection	IP68			

Note: \* NTEP approval 500-5Klbs only.  
FSO - Full Scale Output

All specifications subject to change without notice.

## Disclaimer

All product specifications and data are subject to change without notice.

Vishay Precision Group, Inc., its affiliates, agents, and employees, and all persons acting on its or their behalf (collectively, "Vishay Precision Group"), disclaim any and all liability for any errors, inaccuracies or incompleteness contained herein or in any other disclosure relating to any product.

Vishay Precision Group disclaims any and all liability arising out of the use or application of any product described herein or of any information provided herein to the maximum extent permitted by law. The product specifications do not expand or otherwise modify Vishay Precision Group's terms and conditions of purchase, including but not limited to the warranty expressed therein, which apply to these products.

No license, express or implied, by estoppel or otherwise, to any intellectual property rights is granted by this document or by any conduct of Vishay Precision Group.

The products shown herein are not designed for use in medical, life-saving, or life-sustaining applications unless otherwise expressly indicated. Customers using or selling Vishay Precision Group products not expressly indicated for use in such applications do so entirely at their own risk and agree to fully indemnify Vishay Precision Group for any damages arising or resulting from such use or sale. Please contact authorized Vishay Precision Group personnel to obtain written terms and conditions regarding products designed for such applications.

Product names and markings noted herein may be trademarks of their respective owners.