

Welded, Stainless Steel Double-Ended Shear Beam Load Cell



65016-TWA



65086



FEATURES

- Rated capacities of 1000 to 75,000 pounds
- Stainless steel, welded seal construction
- Insensitive to side loads and bending moments
- High output - well suited to high deadload/low liveload applications
- Load cells have matched outputs for multi-cell systems
- Integral conduit adaptor
- *Sensorgage™* sealed to IP67 standards
- Factory Mutual System Approved for Classes I, II, III; Divisions 1 and 2; Groups A through G. Also, non-incendive ratings (No barriers!).

OPTIONAL FEATURE

- Fully hermetically sealed available

DESCRIPTION

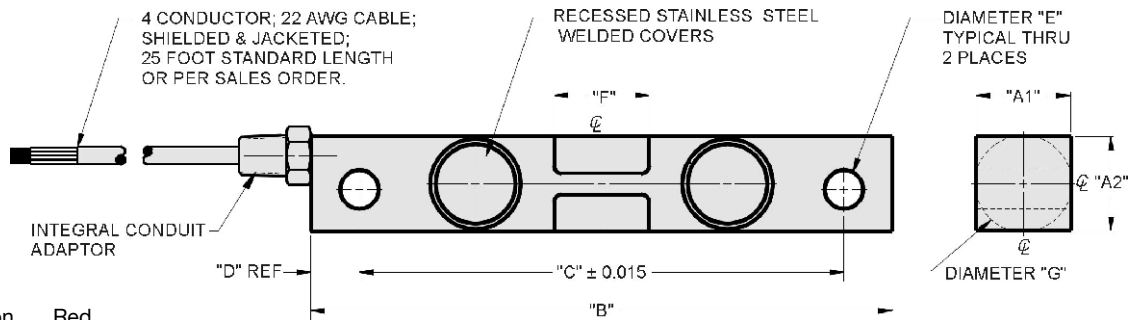
65016-0104W is designed to be center-mounted with double-linked loading. This design provides free movement in all horizontal directions virtually eliminating binding or friction points. The double Shear Beam design gives excellent performance for high capacity loading.

65016-0104W is constructed of stainless steel and is designed to work in extremely harsh environment such as chemical and food industry.

APPLICATIONS

- Hostile environments:
 - Food and beverage processing
 - Chemical and plastics processing
 - Pharmaceutical and biomedical processing
- Tank, bin and silo weighing
- Batching, blending and mixing systems
- Level and inventory monitoring

OUTLINE DIMENSIONS in inches



Wiring

+Excitation	Red
- Excitation	Black
+Output	Green
- Output	White

CAPACITY	A1	A2	B	C	D	E	F	G	THREAD
1K - 5K	1.22	1.22	7.50	6.25	0.62	0.50	1.12	1.25	1/4-18NPT
10K - 25K	1.44	1.94	8.75	7.50	0.62	0.81	1.62	1.99	1/4-18NPT
35K	1.44	2.44	8.75	7.50	0.62	0.81	1.62	2.50	1/4-18NPT
50K - 75K	2.44	2.94	13.50	11.50	1.00	1.31	3.25	2.99	1/2-14NPT

Capacities are in pounds.

SPECIFICATIONS		
PARAMETER	VALUE	UNIT
Rated capacity-R.C. (E_{max})	1K, 1.5K, 2.5K, 5K, 10K, 15K, 25K, 35K, 50K, 75K	lbs
NTEP/OIML Accuracy class	Standard	
Maximum no. of intervals (n)	--	
Rated output-R.O.	3.0	mV/V
Rated output tolerance	0.25	±% mV/V
Zero balance	1.0	±% FSO
Non-linearity	0.07%	±% FSO
Hysteresis	0.07%	±% FSO
Non-repeatability	0.01	±% FSO
Creep error (20 minutes)	0.03	±% FSO
Temperature effect on zero	0.0015	±% FSO/°F
Temperature effect on output	0.0008	±% of load/°F
Compensated temperature range	14 to 104 (-10 to 40)	°F (°C)
Operating temperature range	0 to 150 (-18 to 65)	°F (°C)
Storage temperature range	-60 to 185 (-50 to 85)	°F (°C)
Sideload rejection ratio	500:1	
Safe sideload	100	% of R.C.
Maximum safe central overload	150	% of R.C.
Ultimate central overload	300	% of R.C.
Excitation, recommended	15	Vdc or Vac rms
Excitation, maximum	25	Vdc or Vac rms
Input impedance	686 - 714	Ω
Output impedance	699 - 707	Ω
Insulation resistance at 50VDC	>1000	M Ω
Material	Stainless steel	
Environmental protection	IP67 IP68 welded seals, glass to metal seal	Standard Special

Note

FSO - Full Scale Output

All specifications subject to change without notice.

Disclaimer

All product specifications and data are subject to change without notice.

Vishay Precision Group, Inc., its affiliates, agents, and employees, and all persons acting on its or their behalf (collectively, "Vishay Precision Group"), disclaim any and all liability for any errors, inaccuracies or incompleteness contained herein or in any other disclosure relating to any product.

Vishay Precision Group disclaims any and all liability arising out of the use or application of any product described herein or of any information provided herein to the maximum extent permitted by law. The product specifications do not expand or otherwise modify Vishay Precision Group's terms and conditions of purchase, including but not limited to the warranty expressed therein, which apply to these products.

No license, express or implied, by estoppel or otherwise, to any intellectual property rights is granted by this document or by any conduct of Vishay Precision Group.

The products shown herein are not designed for use in medical, life-saving, or life-sustaining applications unless otherwise expressly indicated. Customers using or selling Vishay Precision Group products not expressly indicated for use in such applications do so entirely at their own risk and agree to fully indemnify Vishay Precision Group for any damages arising or resulting from such use or sale. Please contact authorized Vishay Precision Group personnel to obtain written terms and conditions regarding products designed for such applications.

Product names and markings noted herein may be trademarks of their respective owners.