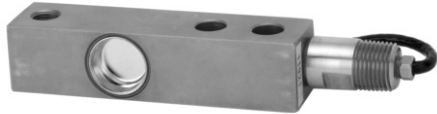


Hermetically Sealed Stainless Steel Shear Beam Load Cell



65080-TWA



DESCRIPTION

Model 65083H provides the weighing industry with the **ultimate** protection necessary for today's hostile environments in an economical low profile range suitable for platform scale manufacture.

Its low profile and all welded sealing combined with high accuracy makes this load cell ideally suited for low profile platforms, pallet truck weighers, tanks and silos. The guide slots incorporated into the upper and lower mounting faces enable manufacturers to easily position the load cell.

Hermetically sealed against moisture, the construction of the model 65083H in combination with a polyurethane dual shielded cable, enables continuous operation in harsh environments while maintaining a high operating specification.

The two additional sense wires feed back the voltage reaching the load cell. Complete compensation of changes in lead resistance due to temperature change and/or cable extension, is achieved by feeding this voltage into the appropriate electronics.

FEATURES

- Rated capacities of 1000 to 10,000 pounds
500kg to 5 metric tons
- Stainless steel, welded seal construction
- Interchangeable with Sensortronics model 65023 shear beam
- Trade certified for NTEP Class III: 5000 Divisions and Class III.L: 10000 Divisions; OIML R60: 3000 Divisions
- Hermetically *Sensorgage*™ sealed to IP68 standards
- *Cell Guard*™ two year warranty
- Factory Mutual System Approved for Classes I, II, III; Divisions 1 and 2; Groups A through G. Also, non-incendive ratings (No barriers!).

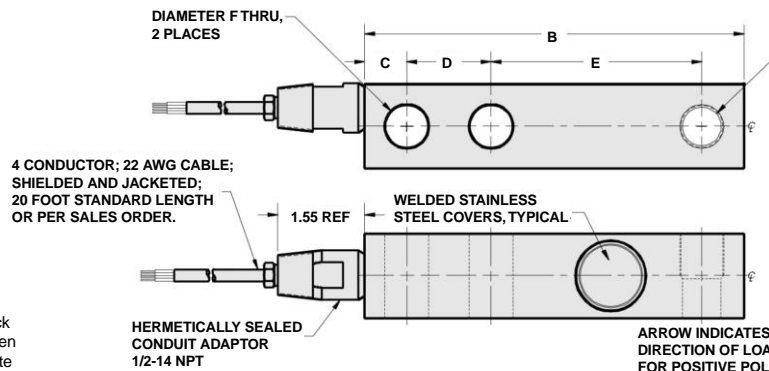
OPTIONAL FEATURES

- Companion weigh module is Model 65080
Stainless Steel *TantaMount*

APPLICATIONS

- Hostile environments: Food & beverage processing
Chemical and plastics processing
Pharmaceutical and biomedical processing
- Washdown and Clean-In-Place environments
- High performance weighing modules and assemblies

OUTLINE DIMENSIONS in inches [millimeters]



Wiring
 +Excitation = Red
 - Excitation = Black
 +Output = Green
 - Output = White

CAPACITY	A1	A2	B	C	D	E	F	G-THREAD	DEFLECTION	WEIGHT
1K - 4K	1.22	1.22	5.12	0.62	1.00	3.00	0.53	1/2-20 UNF-2B, Ø0.53 x 0.61 DP C'BORE	0.012	2.4
5K - SE*	1.22	1.22	5.12	0.62	1.00	3.00	0.53	1/2-20 UNF-2B, Ø0.53 x 0.61 DP C'BORE	0.012	2.4
5K - 10K	1.50	1.50	6.75	0.75	1.50	3.75	0.78	3/4-16 UNF-2B, Ø0.78 x 0.75 DP C'BORE	0.030	3.9
[500kg - 2t]	[31.0]	[31.0]	[130.0]	[16.0]	[25.0]	[76.0]	[13.0]	M12 x 1.75-6H	[0.305]	[1.1]
[500kg - 2t]	[31.0]	[31.0]	[130.0]	[16.0]	[25.0]	[76.0]	[13.0]	M12 x 1.75-6H	[0.305]	[1.1]
[3t - 5t]	[38.0]	[38.0]	[171.0]	[19.0]	[38.0]	[95.0]	[20.0]	M20 x 2.5-6H	[0.762]	[1.8]

Capacities are in pounds. Deflection is ±10%. Certified drawings are available.

* SE denotes "Small Envelope". A 5K capacity is available in the 1K/4K dimensional envelope.

SPECIFICATIONS					
PARAMETER	VALUE				UNIT
Rated capacity-R.C. (E_{max})	1K, 1.5K, 2.5K, 4K, 5K, 10K 500kg, 750kg, 1t, 2t, 5t				lbs kg/metric tons
NTEP/OIML Accuracy class	NTEP III	NTEP IIII	Standard	OIML R60	
Maximum no. of intervals (n)	5000 multiple	10000 multiple		3000	
$Y = E_{max}/V_{min}$	NTEP Cert. No. 98-175			8333	Maximum available
Rated output-R.O.	2.0	2.0	3.0	2.0	mV/V
Rated output tolerance	0.25				±% mV/V
Zero balance	1.0				±% FSO
Combined error	0.02	0.02	0.03	0.02	±% FSO
Non-repeatability	0.01				±% FSO
Creep error (30 minutes)	0.03	0.03	0.03	0.017	±% FSO
Temperature effect on zero	0.0010	0.0010	0.0015	0.0010	±% FSO/°F
Temperature effect on output	0.0008	0.0008	0.0008	0.0007	±% of load/°F
Compensated temperature range	14 to 104 (-10 to 40)				°F (°C)
Operating temperature range	0 to 150 (-18 to 65)				°F (°C)
Storage temperature range	-60 to 185 (-50 to 85)				°F (°C)
Sideload rejection ratio	500:1				
Safe sideload	100				% of R.C.
Maximum safe central overload	150				% of R.C.
Ultimate central overload	300				% of R.C.
Excitation, recommended	10				Vdc or Vac rms
Excitation, maximum	15				Vdc or Vac rms
Input impedance	343 - 357				Ω
Output impedance	349 - 355				Ω
Insulation resistance at 50VDC	>1000				MΩ
Material	Stainless steel				
Environmental protection	IP68 welded seals, glass to metal cable!!				Special
Recommended torque	All capacities up to 5000kg - 136.0 5000kg - 205.0				N*m

FSO - Full Scale Output

All Specifications subject to change without notice.

Disclaimer

All product specifications and data are subject to change without notice.

Vishay Precision Group, Inc., its affiliates, agents, and employees, and all persons acting on its or their behalf (collectively, "Vishay Precision Group"), disclaim any and all liability for any errors, inaccuracies or incompleteness contained herein or in any other disclosure relating to any product.

Vishay Precision Group disclaims any and all liability arising out of the use or application of any product described herein or of any information provided herein to the maximum extent permitted by law. The product specifications do not expand or otherwise modify Vishay Precision Group's terms and conditions of purchase, including but not limited to the warranty expressed therein, which apply to these products.

No license, express or implied, by estoppel or otherwise, to any intellectual property rights is granted by this document or by any conduct of Vishay Precision Group.

The products shown herein are not designed for use in medical, life-saving, or life-sustaining applications unless otherwise expressly indicated. Customers using or selling Vishay Precision Group products not expressly indicated for use in such applications do so entirely at their own risk and agree to fully indemnify Vishay Precision Group for any damages arising or resulting from such use or sale. Please contact authorized Vishay Precision Group personnel to obtain written terms and conditions regarding products designed for such applications.

Product names and markings noted herein may be trademarks of their respective owners.