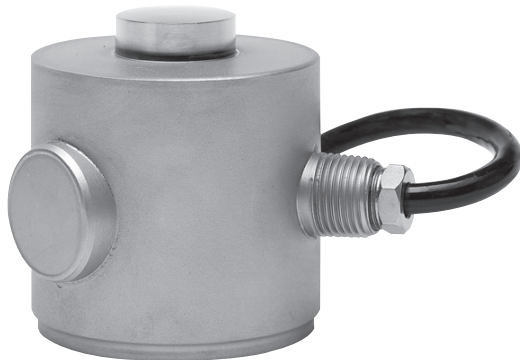


## Stainless Steel, Multi-Column Compression Load Cell



### FEATURES

- Capacity ranges of 25,000 to 200,000 pounds, 10 to 100 metric tons
- Stainless steel, welded seal construction
- Single piece multi-column design
- 3 times more side load capacity than other designs
- Integral conduit adaptor
- 35 feet [10.7m] standard cable length
- Trade certified for NTEP Class III: 5000d, IIIL: 10000d and OIML R-60 3000d
- Welded *Sensorgage™* sealed to IP67 standards

### DESCRIPTION

The 65088 is a high capacity, low profile, stainless steel compression load cell.

The unique four column design offers excellent insensitivity to eccentric loads. This design is one of the most successful compression cells ever produced and is suitable for use in truck scales, rail scales and high capacity silo weighing applications.

This product's stainless steel construction, welded seals and IP67 rating ensures ultimate survivability under harsh conditions.

This load cell is rated intrinsically safe by the Factory Mutual System (FM); making it suitable for use in potentially explosive environments. This load cell is certified for Legal For Trade applications by both American NTEP and International OIML standards.

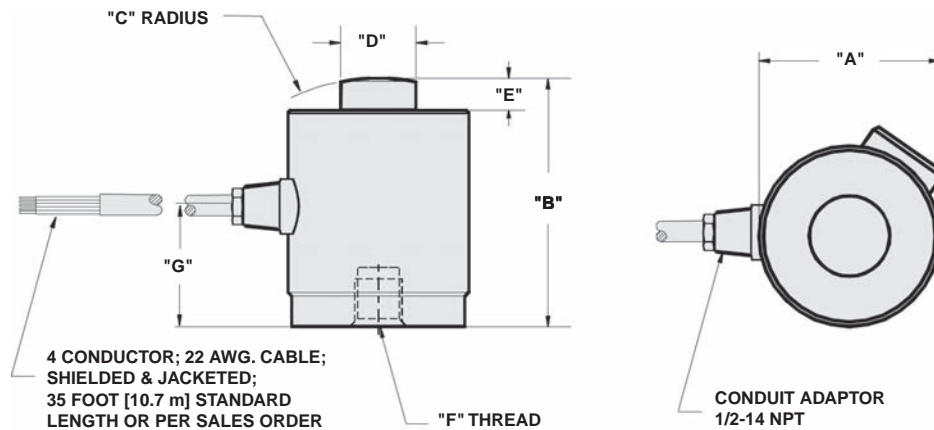
### APPLICATIONS

- Truck scales
- Railroad track scales
- Tank, bin and hopper weighing

### OUTLINE DIMENSIONS in inches [mm]

#### Wiring

+ Excitation	Green
- Excitation	Black
+ Output	White
- Output	Red



CAPACITY	A	B	C	D	E	F	G
25K, 50K	3.00	3.25	6.00	1.25	0.40	1/2-20 UNF - 2B x .31 Deep	1.68
100K	4.00	5.00	6.00	2.31	0.51	3/4-16 UNF - 2B x .56 Deep	2.49
200K	6.00	7.25	17.00	3.13	1.04	3/4-16 UNF - 2B x .75 Deep	3.28
[10t, 25t]	[76.2]	[82.6]	[152.4]	[31.7]	[10.2]	[M12 x 1.75 - 6H x 8 Deep]	[42.7]
[40t, 50t]	[101.6]	[127.0]	[152.4]	[58.7]	[13.0]	[M20 x 2.5 - 6H x 14 Deep]	[63.2]
[100t]	[152.4]	[184.2]	[431.8]	[79.5]	[26.4]	[M20 x 2.5 - 6H x 19 Deep]	[83.3]

Capacities are in pounds [kg/t].

**SPECIFICATIONS**

PARAMETER	VALUE				UNIT
Rated capacity-R.C. ( $E_{max}$ )	25K, 50K, 100K, 200K 10t, 25t, 40t, 50t, 100t				lbs metric tons
NTEP/OIML Accuracy class	NTEP III	NTEP IIII	Standard	OIML R60	
Maximum no. of intervals (n)	5000 multiple	10000 multiple		3000	
$Y = E_{max}/V_{min}$	NTEP Cert. No. 95-134			8333	Maximum available
Rated output-R.O.	2				mV/V
Rated output tolerance	0.25				±% mV/V
Zero balance	≤1.0				±% FSO
Combined error	0.02	0.02	0.03	0.02	±% FSO
Non-repeatability	0.01				±% FSO
Creep error (20 minutes)	0.025	0.03	0.03	0.017	±% FSO
Temperature effect on zero	0.0010	0.0010	0.0015	0.0010	±% FSO
Temperature effect on output	0.0008	0.0008	0.0008	0.0007	±% FSO/°F
Compensated temperature range	14 to 104 (-10 to 40)				°F (°C)
Operating temperature range	0 to 150 (-18 to 65)				°F (°C)
Storage temperature range	-60 to 185 (-50 to 85)				°F (°C)
Safe sideload	30				% of R.C.
Maximum safe central overload	150				% of R.C.
Ultimate central overload	400				% of R.C.
Excitation, recommended	5 - 20				Vdc or Vac rms
Excitation, maximum	25				Vdc or Vac rms
Input impedance	445.5 - 454.5				Ω
Output impedance	475.2 - 484.8				Ω
Insulation resistance at 50VDC	>1000				MΩ
Material	Stainless steel				
Environmental protection	IP67				

FSO - Full Scale Output

R.C. - Rated Capacity

All specifications subject to change without notice.

## Disclaimer

All product specifications and data are subject to change without notice.

Vishay Precision Group, Inc., its affiliates, agents, and employees, and all persons acting on its or their behalf (collectively, "Vishay Precision Group"), disclaim any and all liability for any errors, inaccuracies or incompleteness contained herein or in any other disclosure relating to any product.

Vishay Precision Group disclaims any and all liability arising out of the use or application of any product described herein or of any information provided herein to the maximum extent permitted by law. The product specifications do not expand or otherwise modify Vishay Precision Group's terms and conditions of purchase, including but not limited to the warranty expressed therein, which apply to these products.

No license, express or implied, by estoppel or otherwise, to any intellectual property rights is granted by this document or by any conduct of Vishay Precision Group.

The products shown herein are not designed for use in medical, life-saving, or life-sustaining applications unless otherwise expressly indicated. Customers using or selling Vishay Precision Group products not expressly indicated for use in such applications do so entirely at their own risk and agree to fully indemnify Vishay Precision Group for any damages arising or resulting from such use or sale. Please contact authorized Vishay Precision Group personnel to obtain written terms and conditions regarding products designed for such applications.

Product names and markings noted herein may be trademarks of their respective owners.