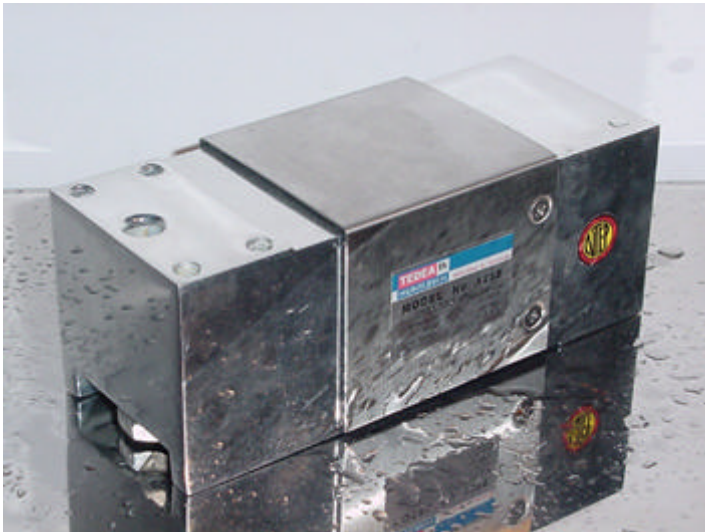


Model 1250

Single Point Load Cells



Features

- ◆ Capacities: 50 - 1000kg (110.23 - 2,204.59 lbs)
- ◆ Single point direct mounting
600x600mm platform
- ◆ Total error 0.02%
- ◆ Less than 0.02% creep
- ◆ OIML R60 and NTEP approved
- ◆ Unique humidity-resistant protective coating
- ◆ Balanced temperature compensation
- ◆ 6-wire (sense) circuit
- ◆ Available in Metric or U.N.C. threads

Model 1250 is a low profile off-center load cell designed for direct mounting of the weighing platform or side cell applications. The savings achieved by requiring fewer parts and labor costs, resulting from simpler scale construction, makes the 1250 a cost-effective load cell for use in counting, weighing, bench, or floor scale products.

This high-accuracy load cell is approved to OIML R60, NTEP and other stringent approval standards.

A special humidity resistant protective coating assures long-term stability over the entire compensated temperature range.

The two additional "sense" wires, sample the bridge supply voltage at the load cell. Complete compensation of change in the lead wires resistance, due to temperature change and/or cable extension, is achieved by feeding this voltage into appropriate electronics.

TEDEA **th**
HUNTLEIGH
EXCELLENCE IN LOAD CELLS

INTERTECHNOLOGY
INC.

1 Scarsdale Road, Don Mills, ON M3B 2R2
Tel: 416-445-5500, Fax: 416-445-1170
Toll Free: 1-800-465-1600
E-Mail: sales@intertechnology.ca

Model 1250

Single Point Load Cells

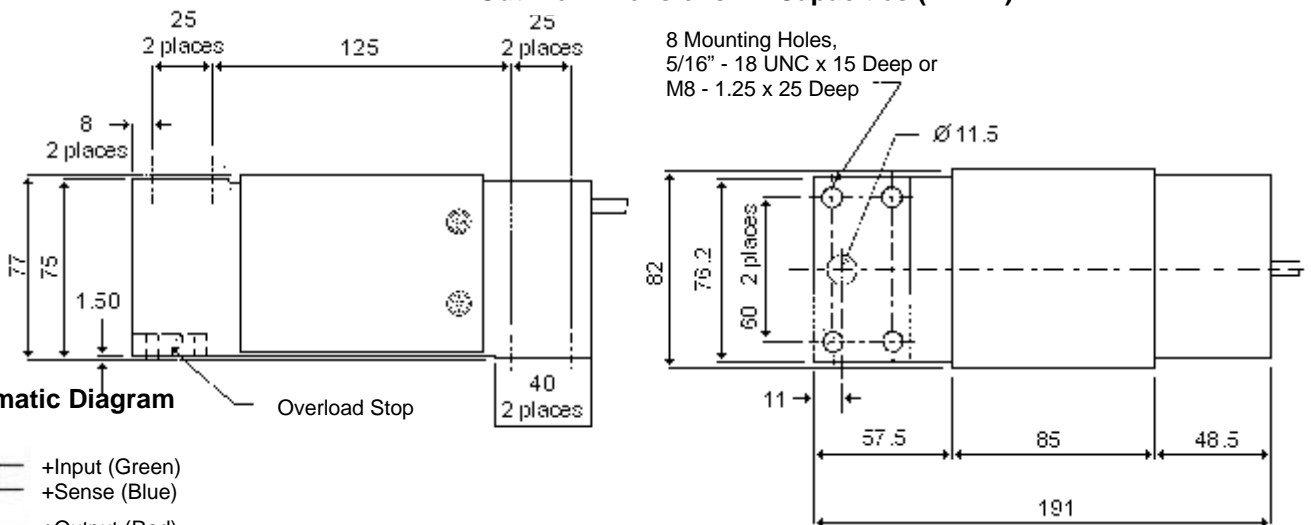
GRADE	E	F	G	C3	UNITS
Rated Capacities	50, 75, 100, 150, 200, 300, 500, 635, 1000**				kg
Rated Output	2 ± 10%				mV/V
Total Error*	0.03	0.02	0.02	0.02	±% of Applied Load
Total Error of Off-Center Loading Anywhere on a 600x600mm Platter meets OIML Regulations For	1500	2000	3000	3000	Divisions
Creep at Rated Capacity : Zero return after 30 mins.	0.05	0.025	0.016	0.016	±% of Applied Load
Zero Balance	± 10				±% of Rated Output
Temperature Range : Operating	-30°C to +70°C				°C
: Compensated	-10°C to +40°C				°C
Temperature Effect : On Output					±% of Applied Load / °C
: On Zero					% of Rated Output / °C
Maximum Safe Moment	30 x Rated Capacity (to 300kg)				kg - cm
	10,000 (>300kg)				kg - cm
Maximum Overload at the Center Loading Point	200				% of Rated Capacity
Ultimate Overload at the Center Loading Point					
Without Mechanical Stop	300				% of Rated Capacity
Excitation : Recommended	10				Volts AC or DC
: Maximum	20				Volts AC or DC
Input Impedance	415 ± 15				Ohms
Output Impedance	350 ± 3				Ohms
Insulation Resistance	>5000				MegaOhms
Deflection at Rated Capacity	<0.4				mm
Weight	2.4				kg
Construction	Anodized Aluminum				
Environmental Protection	IP66 Standard (IP67 Available)				
Cable	3 Meters (Standard), 6 Wire Polyurethane Jacket, Dual Screen (Not Connected to Load Cell Body)				
Approvals	OIML R60 and NTEP				

* Total Error - According to OIML R60

Grades C1, C2 and C3/30 are available on request.

** 1000kg Recommended for center loading only

Outline Dimensions All Capacities (in mm)



Wiring Schematic Diagram

