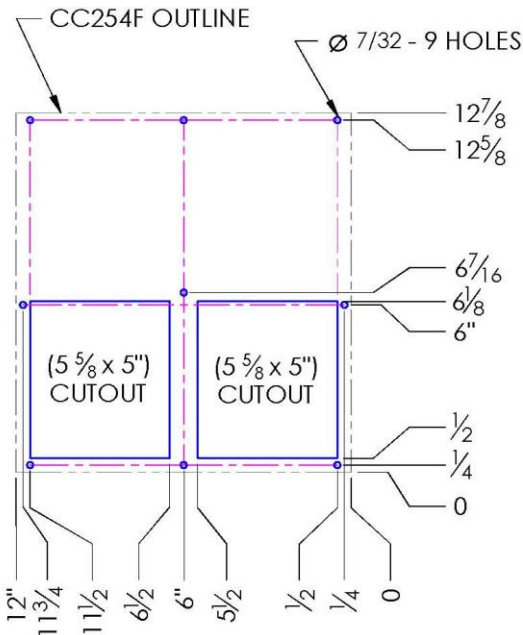
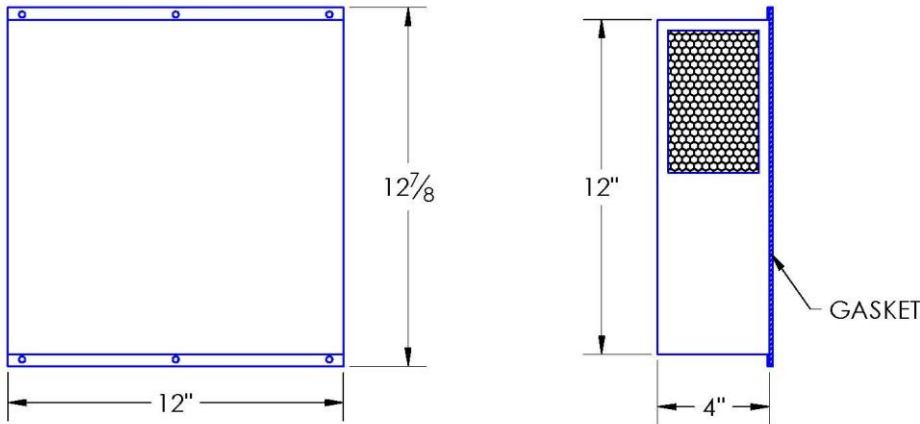


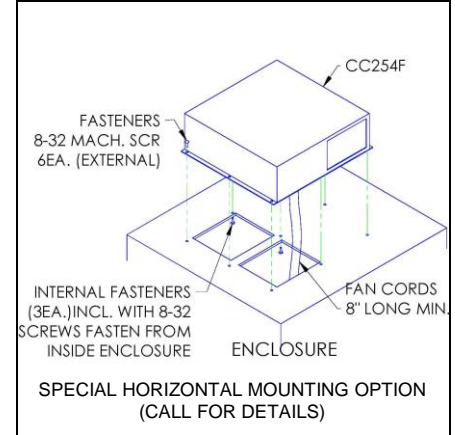
# CC254F STAINLESS STEEL NEMA 4X COMPACT CABINET COOLER AIR-TO-AIR FLUSH-MOUNT MODEL

Model	Weight	Rating @ 20°C ΔT BTU / hr	Amps Current Draw at 115 volts AC	Fan Size	Dimensions-Inches (H x W x D)
CC254F,SS	13 lbs	1,100	0.4	2 x 4"	2-7/8 x 12 x 4

Efficiency: 16.5 Watts / °C ΔT based on average internal cabinet temperature.



CABINET HOLE PATTERN  
(EXTERNAL VIEW)



### SPECIFICATIONS

1. For NEMA 4X environments and corrosion resistant applications.
2. CC254F Rated cooling: 330 Watts at 20°C ΔT (16.5 W/°C, mounted to an uninsulated 24" X 24" X 16" Cabinet)
3. Designed for surface mounting on outside of cabinet.
4. Housing is Type 304 or 316 Stainless Steel.
5. Equipped with mounting gasket to maintain the NEMA 4X integrity of your cabinet.
6. Available with VAC (115 & 230) and VDC (12, 24, & 48) fans.
7. Vertical mounting (as shown) is standard. Call for horizontal applications.
8. Optional: inlet air-filter kit available upon request.
9. For design, quote, and sizing assistance: call (866) 936-6736.

Subject to change without notice.



**NOREN** 1010 O'Brien Drive  
Menlo Park, CA 94025  
650.322.9500  
norenproducts.com

**CC254F STAINLESS STEEL  
NEMA 4X**

CCS-PBD-7.2.2-883380-B