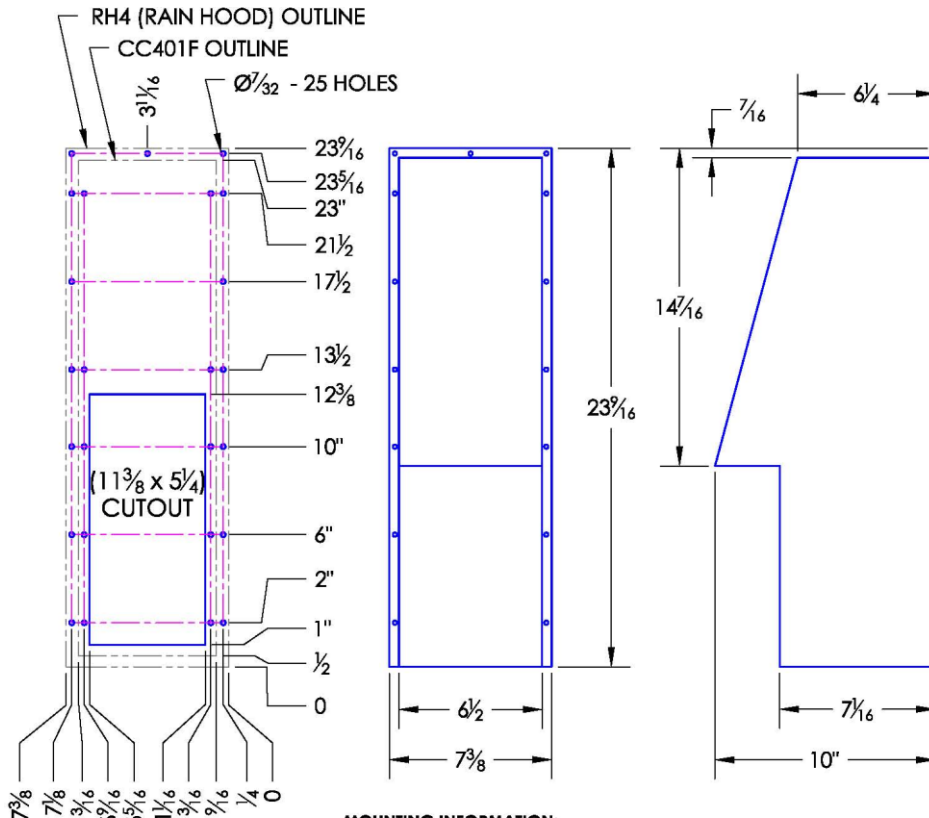


## CC401F-RH4 & CC401F-WL\*-RH4 COMPACT CABINET COOLER WITH RAIN HOOD MODEL

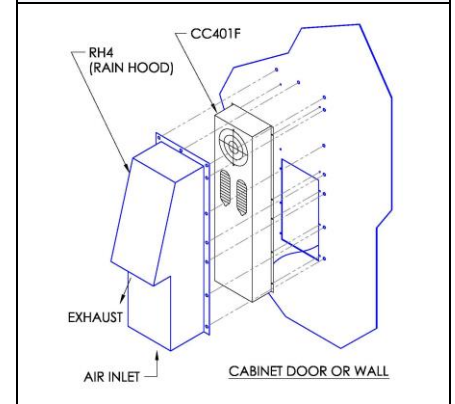
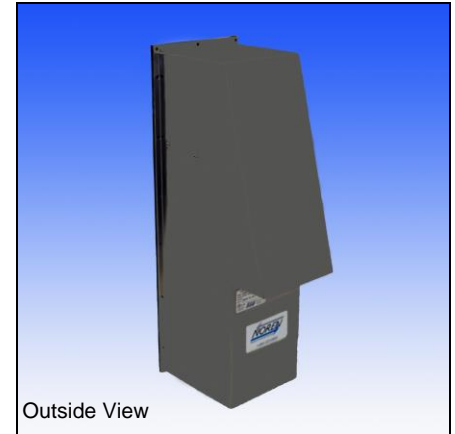
Model	Weight	Rating @ 20°C ΔT BTU / hr	Amps Current Draw at 115 volts AC	Fan Size	Dimensions-Inches (H x W x D)
CC401F- RH4	14 lbs	1,400	0.4	2 x 4"	23-9/16 x 7-3/8 x 10

Efficiency: 20.4 Watts / °C ΔT based on average internal cabinet temperature.



**CABINET HOLE PATTERN  
(EXTERNAL VIEW)**

**MOUNTING INFORMATION:**  
BOTTOM OF HOOD (AIR INLET) MUST BE AT LEAST 6" ABOVE FLOOR OR A HORIZONTAL SURFACE. MOUNTING FASTENERS ARE PROVIDED (8-32 x 3/4" STAINLESS STEEL SCREWS & NUTS). SEALING WASHERS ARE PROVIDED FOR SEALING MOUNTING FASTENERS INSIDE YOUR ENCLOSURE.



### SPECIFICATIONS

- Unit and options are UL Listed (SA9567).
- For NEMA / TYPE 3R or 4 applications (OUTDOOR USE).
- Equipped with mounting gasket to maintain the NEMA / TYPE 3R or 4 integrity of customer's cabinet.
- Pressure tested to insure liquid tight seal.
- \* 5. Optional "WET LOCATION FAN" (-WL) is required for any "HOSE DOWN" application.**
- Cabinet Cooler with hood design for surface mounting on outside of cabinet.
- Standard aluminum housing color is black. Stainless steel is available.
- Rated cooling: 408 Watts at 20°C ΔT (20.4 W/°C, mounted to an uninsulated 24" x 24" x 16" cabinet.)
- Optional: inlet air-filter kit available upon request.
- Available with AC (115 & 230V) and DC (12, 24, & 48V) fans. DC version includes junction box, consult website.
- 11. For design, quote, and sizing assistance: call (866) 936-6736.**

Subject to change without notice.



**NOREN**  
1010 O'Brien Drive  
Menlo Park, CA 94025  
650.322.9500  
norenproducts.com

**CC401F-RH4 & CC401F-WL\*-RH4**

CCS-PBD-7.2.2-883337-B