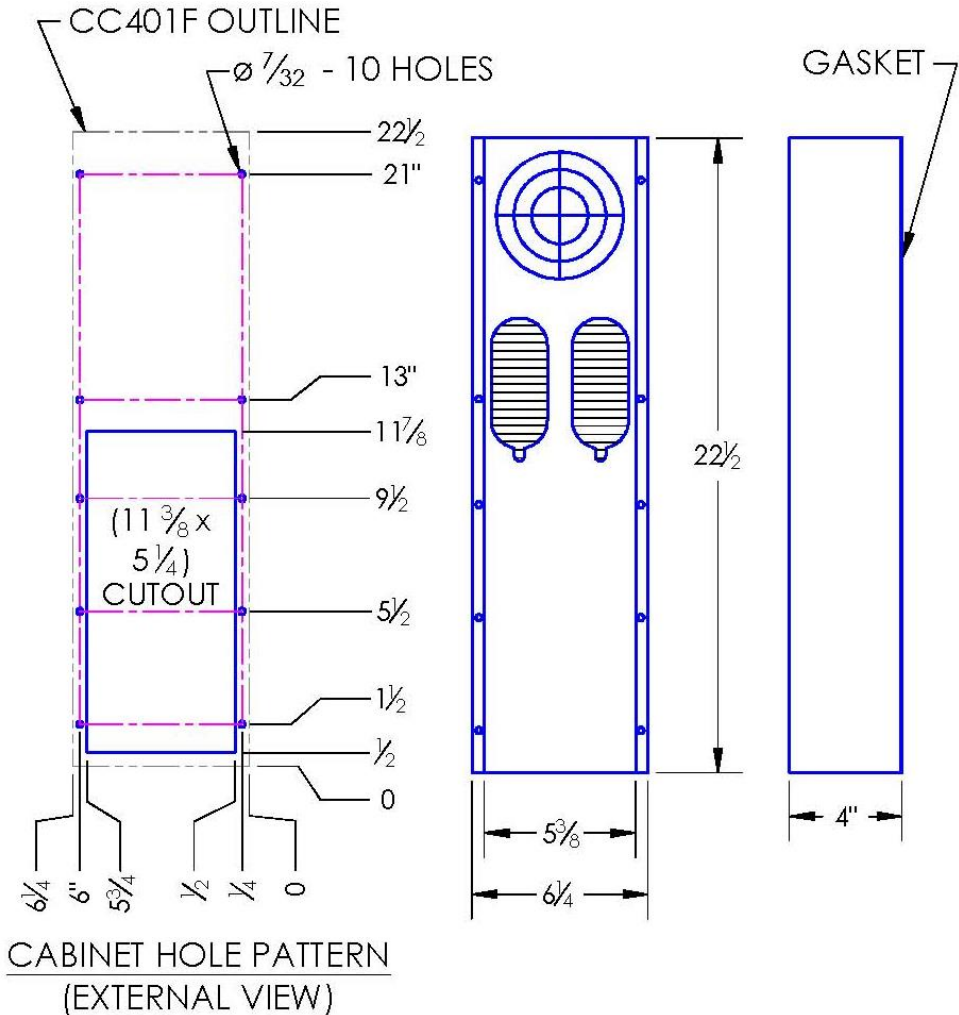


CC401F-WL-TYPE 4 COMPACT CABINET COOLER AIR-TO-AIR FLUSH-MOUNT MODEL

Model	Weight	Rating @ 20°C ΔT BTU / hr	Amps Current Draw at 115 volts AC	Fan Size	Dimensions-Inches (H x W x D)
CC401F-WL-TYPE4	10 lbs	1,400	0.4	2 x 4"	22-1/2 x 6-1/4 x 4

Efficiency: 20.4 Watts / °C ΔT based on average internal cabinet temperature.



- SPECIFICATIONS**
1. UL Listed for TYPE 4 environments.
 2. CC401F Rated cooling: 408 Watts at 20°C ΔT (20.4 W/°C, mounted to an uninsulated 24" x 24" x 16" cabinet.)
 3. Designed for surface mounting on outside of cabinet.
 4. Housing is aluminum (color is black). Stainless steel is available (TYPE 4X)
 5. Equipped with mounting gasket to maintain the TYPE 4 integrity of your cabinet.
 6. Pressure tested to insure liquid tight seal.
 7. External fan is UL rated for Wet Locations / Outdoor use (WL). This new fan is the Noren Universal Fan (UF).
 8. Internal 6-ft. power cord with 3-prong plug is standard for AC powered units.
 9. Available with VAC (115 & 230) and VDC (12, 24, & 48) fans. DC powered units include junction box, consult website.
 10. Vertical mounting (as shown) is standard. Call for horizontal applications.
 11. Optional: inlet air-filter kit available upon request.
 12. For design, quote, and sizing assistance: call (650) 322-9500.

UL US LISTED
UL File #SA9567

Proudly made in USA

BSI
ISO 9001:2008
FM 554949

NOREN 1010 O'Brien Drive
Menlo Park, CA 94025
650 322-9500
norenproducts.com

CC400F-WL-TYPE 4

CCS-PBD-7.2.2-883398-B

Subject to change without notice.