

CC450F STAINLESS STEEL NEMA 4X COMPACT CABINET COOLER AIR-TO-AIR FLUSH-MOUNT MODEL

Model	Weight	Rating @ 20°C ΔT BTU / hr	Amps Current Draw at 115 volts AC	Fan Size 2 x 4"	Dimensions-Inches (H x W x D)
CC450F,SS	13 lbs	1,400	0.4	2 x 4"	12-1/2 x 8 x 5-5/16

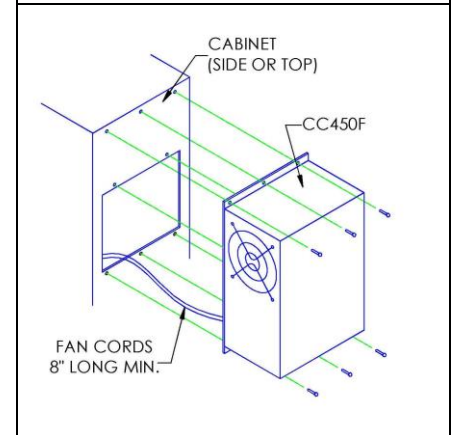
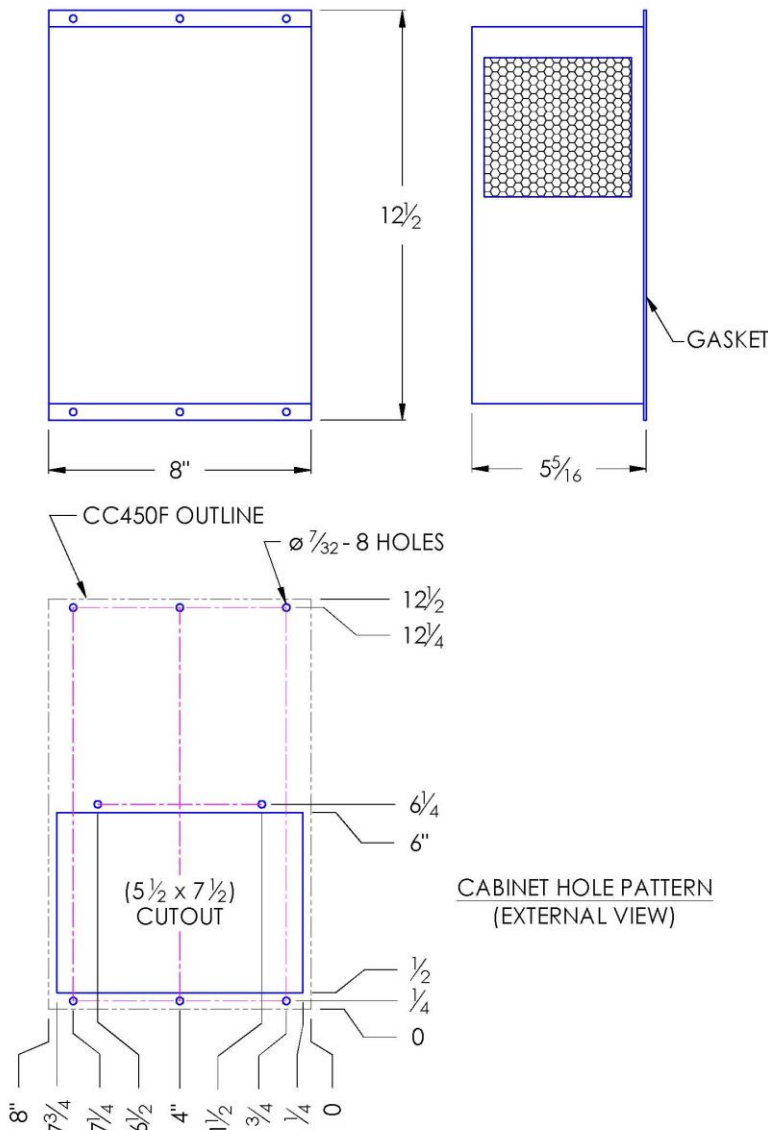
Efficiency: 21.0 Watts / °C ΔT based on average internal cabinet temperature.



Outside View



Inside View



SPECIFICATIONS

1. For NEMA 4X environments and corrosion resistant applications.
2. CC450F Rated cooling: 420 Watts at 20°C ΔT (21.0 W/°C, mounted to an uninsulated 24" X 24" X 16" Cabinet)
3. Designed for surface mounting on outside of cabinet.
4. Housing is Type 304 Stainless Steel. (316 SS is special order.)
5. Equipped with mounting gasket to maintain the NEMA 4X integrity of your cabinet.
6. Available with AC (115 & 230V) and DC (12, 24, & 48) fans.
7. Vertical mounting (as shown) is standard. Call for horizontal applications.
8. Optional: inlet air-filter kit available upon request.
9. For design, quote, and sizing assistance: call (866) 936-6736.

Subject to change without notice.



NOREN 1010 O'Brien Drive
Menlo Park, CA 94025
650.322.9500
norenproducts.com

**CC450F STAINLESS STEEL
NEMA 4X**

CCS-PBD-7.2.2-883379-A