

ET-456 – 19" (1280 x 1024)

NO. DS200640140103 | EN
2014 | V 03.02.11



ET-456 – 19" (1280 x 1024)

Highlights

- Rugged Panel PCs for temperatures ranging between -40 °C up to +55 °C [-40 °F up to +131 °F]
- Incl. special enclosure for rig floor applications
- Rugged, modular structured product design
- Without additional enclosure suitable for use in hazardous areas / many enclosure and mounting options

Firmware/Software

- OPEN HMI – open for all software applications
- Ready-to-run operating system in 25 languages
- Windows Embedded Standard 2009 / 7 Ultimate
- Optional installation of visualization software e. g. WinCC flexible® / Factory Talk View® / Vijeo Citect®, etc.

Description

The ET-456 Panel PC with high bright 19" touch screen is suitable for complex visualization and operator tasks in hazardous areas, Zone 1, 2, 21, 22.

For PCS / ERP and EMS operations, the ET-456 can be integrated in the company network architecture, and, as a Panel PC, is able to simultaneously and independently process other on-site applications. This HMI is highly versatile, and comes standard with intuitive touch screen and customizable function keys.

The ET-456 is ready-to-run worldwide, with pre-installed, multilingual Windows Embedded Standard 2009 or -7 Ultimate operating system (QNX, Linux optional) – without time-consuming installation of drivers or operating systems. All pre-installed operating systems are protected against external manipulations. In the rare case of a system failure, the BACKUP/RECOVERY solution via USB stick allows to immediately restore the original state.

Explosion Protection

Examination Certificate / Identification



ATEX directive 94/9/EG

TÜV 11 ATEX 7041 X

ET-xx6-A-Tx

I 2 (2) G Ex d e ia ib mb [ia ib] IIC T4 Gb

II 2 (2) D Ex ia tb [ia ib] IIIC T80°C Db IP66

ET-xx6-A-Fx

II 2 (2) G Ex d e ia ib mb [ia ib op is] IIC T4 Gb

II 2 (2) D Ex ia tb [ia ib op is] IIIC T80°C Db IP66

IECEx

TUR 11.0006X

ET-xx6-A-Tx

Ex d e ia ib mb [ia ib] IIC T4 Gb

Ex ia tb [ia ib] IIIC T80°C Db IP66

ET-xx6-A-Fx

Ex d e ia ib mb [ia ib op is] IIC T4 Gb

Ex ia tb [ia ib op is] IIIC T80°C Db IP66

GOST-R

POCC DE.ГБ04.В01741

Operating licence

PCC 00-047986

ET-xx6-A-Tx

2Exdeiaibmb[iaib]IIC T4

DIP A21 TA80°C, IP66

ET-xx6-A-Fx

2Exdeiaibmb[iaibopis]IIC T4

DIP A21 TA80°C, IP66

KGS / KCC

12-GA4B0-0215X

12-GA4B0-0317X

Ex d e ia ib mb [ia ib] IIC T4

Ex ia tb [ia ib] IIIC T80°C Db IP66

ET-456 – 19" (1280 x 1024)

NO. DS200640140103 | EN
2014 | V 03.02.11



NEC / UL

20130611-E202379
Class I, Division 2, Groups A, B, C, D
Class II, Division 2, Groups F, G
Class III Hazardous Locations
Class I, Zone 2, Group IIC

CEC / CSA

2512677
Ex d e ia ib mb [ia ib] IIC T4 Gb, Type 4X, IP66
Ex ia tb [ia ib] IIIC T80°C Db, IP66
Class II, Division 1, Groups E, F, G, T80°C

INMETRO

UL-BR 12.0265X
ET-xx6-A-Tx
Ex d e ia ib mb [ia ib] IIC T4 Gb
Ex ia tb [ia ib] IIIC T80°C Db IP66
ET-xx6-A-Fx
Ex d e ia ib mb [ia ib op is] IIC T4 Gb
Ex ia tb [ia ib op is] IIIC T80°C Db IP66

CNEX (China)

CNEx14.0065X
Ex d e ia mb [ia ib] IIC T4 Gb

DNV (Det Norske Veritas)

A-12989

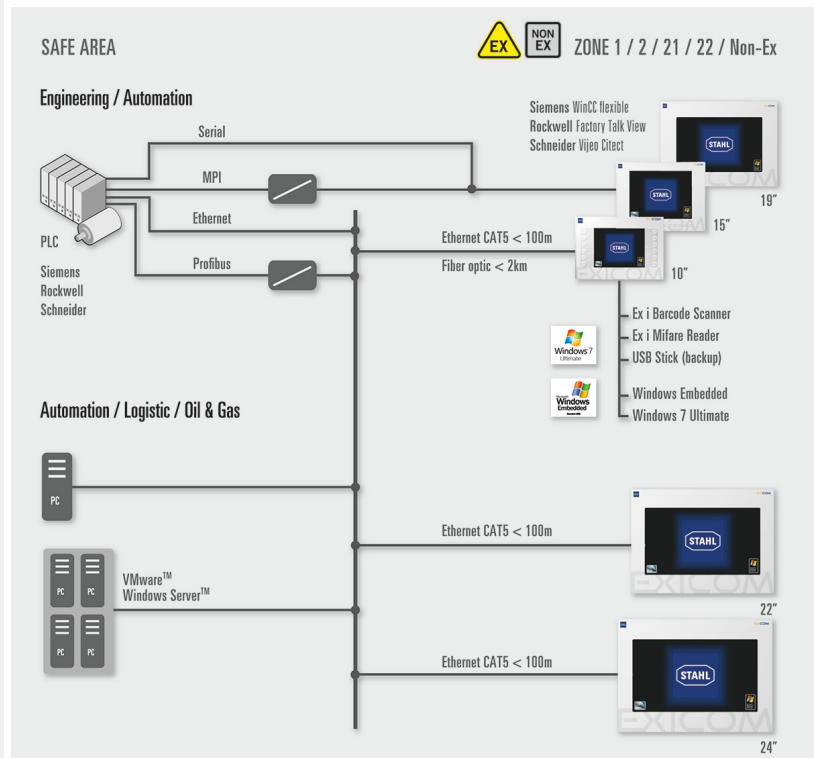
LR (Lloyd's Register)

11/20032

Ingress protection

Front and back side IP66

Operating Principle



ET-456 – 19" (1280 x 1024)

NO. DS200640140103 | EN
2014 | V 03.02.11



Technical Data

Mounting design	Front panel mounting
Display	48 cm (19") TFT color display 16,777,216 colors SXGA 1280 x 1024 Aspect ratio 5:4 Brightness 350 cd/m ² Contrast 1000:1 8 wire resistive touch screen as standard
Backlighting	LED technology Service life 50,000 h at +10 °C [+50 °F]
Display function keys	8 function keys, polyester film on aluminum plate Switching cycles > 1 million
External keyboard	Yes (optional), 105 / 107 keys, incl. trackball / joystick (Ex ia)
Processor	ATOM 1.6 GHz
RAM	1 / 2 GB
Memory	4 / 16 GB, 128 GB MLC / SLC (Solid State Card)
Memory upgrade optional	Hard drive EXICOM-SHD-xxx 100 GB
Operating system	Windows XP Embedded MUI Windows 7 MUI
Standard Software	WinCC flexible, IFix, RSView (for more software solutions, please refer to the homepage)
Interfaces	1 x Ethernet 10/100BaseTx (Ex e) or FO 100BaseFx, 100 Mbit (Ex op is) 2 x USB (Ex e) 2 x USB (Ex ib) 2 x PS/2 (Ex ia) (keyboard, pointing device) 1 x RS-232 / RS-422 / RS-485 (Ex e) 1 x Audio line out (Ex e) Optional interfaces 1 x RSi (Ex ib) data and data supply for readers 1 x RS-232 / RS-422 / RS-485 (Ex e) WLAN via USB (Ex e)
Dimensions (W x H x D)	535 x 425 x 165 mm (21.06 x 16.73 x 6.49")
Cutout	522.5 x 412.5 (+/- 0.5) mm (20.57 x 16.24 (+/- 0.02"))
Weight	25 kg (55 lbs)
Power supply	24 VDC (20.4 up to 28.8 VDC); 1.2 A; 28.8 W optional: external power supply 90 - 253 VAC
Permissible ambient temperature ranges	Operation -20 °C up to +55 °C* [-4 °F up to +131 °F] Operation with heater ** -30 °C up to +55 °C* [-22 °F up to +131 °F] Operation with heater **, enclosure insulation, protection screen -40 °C up to +55 °C* [-40 °F up to +131 °F] Storage -30 °C up to +60 °C [-22 °F up to +140 °F] * ET-4x6-A and ET-5x6-A: 5 h maximum operation at +55 °C [+131 °F]; continuous operation (24/7) at +50 °C [+122 °F] ** The heater has to be designed to ensure that the temperature inside the enclosure of the operating unit does not fall below -20 °C [-4 °F] (-30 °C [-22 °F] only at the front side)
Heat dissipation	Front plate cooling by heat pipe 50 % through front plate, approx. 50 % through back side
Relative humidity	90 % at +40 °C [+104 °F], non condensing
Vibration	Operation: 3 up to 22 Hz; 1 mm (0.04")

ET-456 – 19" (1280 x 1024)

NO. DS200640140103 | EN
2014 | V 03.02.11



	22 up to 500 Hz: 9.8 m/s ² = 1 g (32 ft/s ² = 0.03 oz) Transportation: 3 up to 9 Hz: 3.5 mm (0.14") 9 up to 500 Hz: 9.8 m/s ² = 1 g (32 ft/s ² = 0.03 oz)
Shock	Operation: 15 g / 11 ms (0.52 oz/11 ms) Transportation: 25 g / 6 ms (0.88 oz/6 ms)
Material front side	UV-resistant polyester film on seawater-resistant aluminum, incl. touch screen und protective safety glass Optional: stainless steel film on seawater-resistant aluminum, incl. touch screen and protective safety glass
Material back side	Stainless steel
Ingress protection	Front and back side IP66