

# ET-477 – 24" (1920 x 1080 Full HD)

NO. DS200640140106 | EN  
2014 | V 01.02.11



## ET-477 – 24" (1920 x 1080 Full HD)

### Highlights

- Rugged Panel PCs for temperatures ranging between -20 °C up to +60 °C [-4 °F up to +140 °F]
- Rugged, modular structured product design
- Without additional enclosure suitable for use in hazardous areas / many enclosure and mounting options



### Explosion Protection

Examination Certificate / Identification



#### ATEX directive 94/9/EG

BVS 11 ATEX E 102 X

II 2(1) G Ex e q [ia op is Ga] IIC T4 Gb

II 2(1) D Ex tb IIIC [ia op is Da] IP65 T110°C Db

#### IECEX

TUR 11.0075X

Ex e q [ia op is Ga] IIC T4 Gb

Ex tb IIIC [ia op is Da] IP65 T110°C Db

#### GOST-R

POCC DE.ГБ04.В01882

#### Operating licence

PPC 00-048723

1Ex e q [ia op is Ga] IIC T4 Gb

Ex tb IIIC [ia op is Da] IP65 T110°C Db

### Ingress protection

Front side IP66, back side IP65

### Firmware/Software

- OPEN HMI – open for all software applications
- Ready-to-run operating system in 25 languages
- Windows Embedded Standard 2009 / 7 Ultimate
- Optional installation of visualization software e. g. WinCC flexible® / Factory Talk View® / Vijejo Citect®, etc.

### Description

The ET-477 with 24" widescreen and Full HD (1920 x 1080) resolution is the trend-setting PC solution in the process industry. The ET-477 is the result of a sophisticated combination of the wide screen technology of the T-series and state-of-the-art PC technology – certified for use in hazardous areas, Zone 1, 2, 21, 22.

As a stand-alone PC, the ET-477 can independently perform process tasks on site, as well as all PCS / ERP and MES tasks within the network.

The LED backlighting ensures excellent readability of the process information. The monitor is optionally available with intuitive touch screen, operated with gloves or touch pen.

The ET-477 can be front-mounted into enclosures (control panel module with anodized aluminum front plate), or rear-mounted (without front frame).

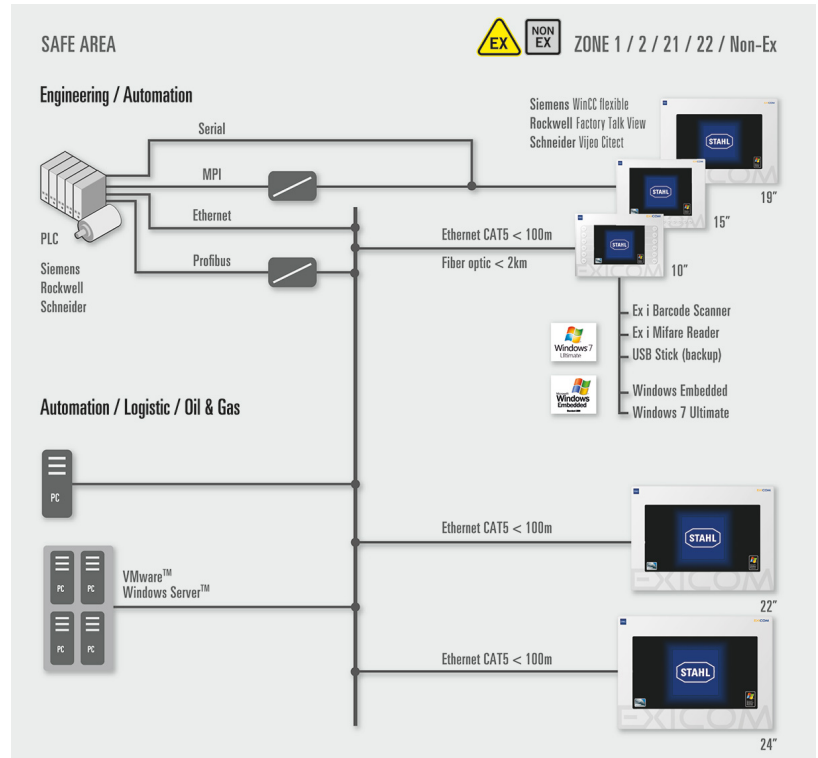
The ET-477 is ready-to-run worldwide, with pre-installed, multilingual Windows Embedded Standard 2009 or -7 Ultimate operating system (QNX, Linux optional) – without time-consuming installation of drivers or operating systems. All pre-installed operating systems are protected against external manipulations. In the rare case of a system failure, the BACKUP / RECOVERY solution via USB stick allows to immediately restore the original state.

# ET-477 – 24" (1920 x 1080 Full HD)

NO. DS200640140106 | EN  
2014 | V 01.02.11



## Operating Principle



# ET-477 – 24" (1920 x 1080 Full HD)

NO. DS200640140106 | EN  
2014 | V 01.02.11



## Technical Data

Mounting design	Front panel mounting
Display	61 cm (24") TFT color display 16.7 million colors Full HD 1920 x 1080 Aspect ratio 16:9 Brightness 300 cd/m <sup>2</sup> Contrast 1000:1 5 wire resistive touch screen optional
Backlighting	LED technology 50,000 h at +20 °C [-4 °F]
Display function keys	-
External keyboard	Yes (optional), 107 keys, incl. trackball / joystick / mouse / touch pad (Ex ia)
Processor	ATOM 1.6 GHz
RAM	1 / 2 GB
Memory	4 / 16 GB, 128 GB MLC / SLC (Solid State Card)
Memory upgrade optional	Hard drive EXICOM-SHD-xxx 100 GB
Operating system	Windows XP Embedded MUI Windows 7 MUI
Standard Software	WinCC flexible, IFix, RSView (for more software solutions, please refer to the homepage)
Interfaces	1 x Ethernet 10/100BaseTx (Ex e) or FO 100BaseFx, 100 Mbit (Ex op is) 2 x USB (Ex ia) 1 x USB (Ex e) 2 x USB (Ex ia) (keyboard, pointing device) 1 x RS-232 (Ex e) 1 x Audio line out (Ex e) <b>Optional interfaces</b> 1 x ReaderBox for card reader / barcode scanner WLAN via USB (Ex e)
Dimensions (W x H x D)	660 x 475 x 110 mm (23.62 x 18.70 x 4.33")
Cutout	615 x 435 (+/- 0.5) mm (24.21 x 17.12 (+/- 0.02)")
Mounting position	horizontal / vertical
Weight	32 kg (70,55 lbs)
Power supply	24 VDC (max. = 3 A) 100 - 240 VAC (max. = 1 A)
Permissible ambient temperature ranges	Operation -20 °C up to +60 °C [-4 °F ... +140 °F] Permanent operation -20 °C up to +50 °C [-4 °F ... +122 °F] Operation with heater version O30* -30 °C up to +50 °C [-22 °F ... +122 °F] Storage -30 °C up to +70 °C [-22 °F ... +158 °F] * The O30 version is only available for the AC version devices !
Heat dissipation	approx. 40 % through front plate surface, approx. 60 % through back side
Relative humidity	10 up to 90 % at +40 °C [+104 °F], non condensing
Material front side	Aluminum front plate, glass, optional polyester touch screen
Material back side	Galvanized sheet steel
Ingress protection	Front side IP66, back side IP65

# ET-477 – 24" (1920 x 1080 Full HD)

NO. DS200640140106 | EN  
2014 | V 01.02.11

---

