

IT-467 – 22" (1680 x 1050)

NO. DS200640340105 | EN
2014 | V 01.02.11



IT-467 – 22" (1680 x 1050)

Highlights

- Rugged Panel PCs for temperatures ranging between -20 °C up to +60 °C [-4 °F up to +140 °F]
- Rugged, modular structured product design
- Many enclosure and mounting options

Ingress protection

Front side IP66, back side IP20

Firmware/Software

- OPEN HMI – open for all software applications
- Ready-to-run operating system in 25 languages
- Windows Embedded Standard 2009 / XP Professional / 7 Ultimate
- Optional installation of visualization software e. g. WinCC flexible® / Factory Talk View® / Vijeo Citect®, etc

Description

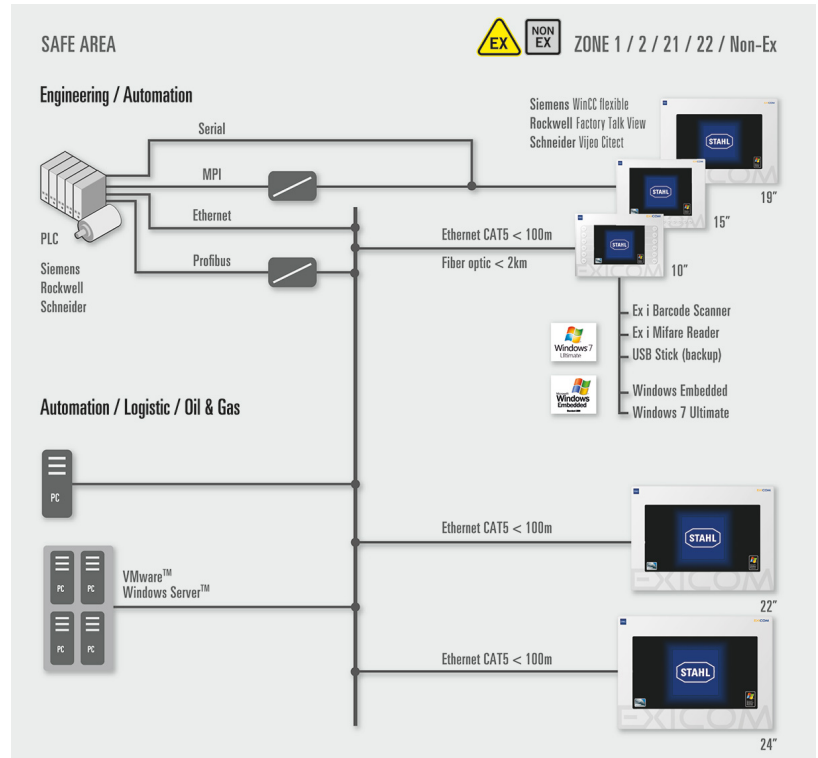
The IT-467 with high bright 22" monitor and 1680 x 1050 resolution (WSXGA+) is the PC of the future – the most popular solution in modern process automation, and provided by all process control system suppliers.

As a stand-alone PC, the IT-467 can perform automation tasks on site, as well as all PCS / ERP and MES tasks within the network. The LED backlighting ensures excellent readability of the process information. The monitors are optionally available with intuitive touch screen, operated with gloves or touch pen.

The IT-467 can be front-mounted into an enclosure (control panel module with anodized aluminum front plate), or rear-mounted (without front frame).

The IT-467 is ready-to-run worldwide, with pre-installed, multilingual Windows Embedded Standard 2009, XP Professional MUI or -7 Ultimate operating system (QNX, Linux optional) – without time-consuming installation of drivers or operating systems. All pre-installed operating systems are protected against external manipulations. In the rare case of a system failure, the BACKUP / RECOVERY solution via USB stick allows to immediately restore the original state.

Operating Principle



IT-467 – 22" (1680 x 1050)

NO. DS200640340105 | EN
2014 | V 01.02.11



Technical Data

Mounting design	Front panel mounting
Display	56 cm (22") TFT color display 16.7 million colors WSXGA+ 1680 x 1050 Aspect ratio 16:10 Brightness 250 cd/m ² Contrast 1000:1 5 wire resistive touch screen optional
Backlighting	LED technology Service life 50,000 h at +20 °C [-4 °F]
Display function keys	-
External keyboard	Yes (optional), 107 keys, incl. trackball / joystick / mouse / touch pad
Processor	ATOM 1.6 GHz
RAM	1 / 2 GB
Memory	4 / 16 GB, 128 GB MLC / SLC (Solid State Card)
Memory upgrade optional	Hard drive EXICOM-SHD-xxx 100 GB
Operating system	Windows XP Embedded MUI Windows 7 MUI
Standard Software	WinCC flexible, IFix, RSView (for more software solutions, please refer to the homepage)
Interfaces	1 x Ethernet 10/100BaseTx or FO 100BaseFx, 100 Mbit 2 x USB (hub) 1 x USB (root) 2 x USB (keyboard, pointing device) 1 x RS-232 1 x Audio line out Optional interfaces 1 x ReaderBox for card reader / barcode scanner WLAN via USB
Dimensions (W x H x D)	660 x 475 x 110 mm (23.62 x 18.70 x 4.33")
Cutout	615 x 435 (+/- 0.5) mm (24.21 x 17.12 (+/- 0.02"))
Mounting position	horizontal / vertical
Weight	10 kg (22.05 lbs)
Power supply	24 VDC (max. = 3 A) 100 - 240 VAC (max. = 1 A)
Permissible ambient temperature ranges	Operation -20 °C up to +60 °C [-4 °F ... +140 °F] Permanent operation -20 °C up to +50 °C [-4 °F ... +122 °F] Operation with heater version O30* -30 °C up to +50 °C [-22 °F ... +122 °F] Storage -30 °C up to +70 °C [-22 °F ... +158 °F] * The O30 version is only available for the AC version devices !
Heat dissipation	approx. 40 % through front plate, approx. 60 % through back side
Relative humidity	10 up to 90 % at +40 °C [+104 °F], non condensing
Material front side	Aluminum front plate, glass, optional glass touch screen or polyester touch screen
Material back side	Galvanized sheet steel
Ingress protection	Front side IP66, back side IP20

IT-467 – 22" (1680 x 1050)

NO. DS200640340105 | EN
2014 | V 01.02.11

