

MT-406 – 10.4" (800 x 600)

NO. DS200640240100 | EN
2014 | V 03.02.11



MT-406 – 10.4" (800 x 600)

Highlights

- Rugged Panel PCs for temperatures ranging between -40 °C up to +55 °C [-40 °F up to +131 °F]
- Rugged, modular structured product design
- Without additional enclosure suitable for use in hazardous areas / many enclosure and mounting options

Explosion Protection

Examination Certificate / Identification



ATEX directive 94/9/EG

TÜV 11 ATEX 7103 X

MT-xx6-A-Tx

II 3 (2/3) G Ex d e ia ib mb nA [ia Gb] [ic] IIC T4 Gc

II 3 (2/3) D Ex ia tc [ib Db] [ic] IIIC T80°C Dc IP66

MT-xx6-A-Fx

II 3 (2/3) G Ex d e ia ib mb nA [ib op is Gb] [ic] IIC T4 Gc

II 3 (2/3) D Ex ia tc [ib op is Db] [ic] IIIC T80°C Dc IP66

IECEX

TUR 11.0015X

MT-xx6-A-Tx

Ex d e ia ib mb nA [ib Gc] [ic] IIC T4 Gc

Ex ia tc [ib Db] [ic] IIIC T80°C Dc IP66

MT-xx6-A-Fx

Ex d e ia ib mb nA [ib op is Gb] [ic] IIC T4 Gc

Ex ia tc [ib op is Db] IIIC T80°C Dc IP66

GOST-R

POCC DE.ГБ04.В01741

Operating licence

PCC 00-047986

MT-xx6-A-Tx

2ExdeiaibmbnA[ib][ic]IIC T4

DIP A21 TA80°C, IP66

MT-xx6-A-Fx

2ExdeiaibmbnA[ibopis][ic]IIC T4

DIP A21 TA80°C, IP66

NEC / UL

20130611-E202379

Class I, Division 2, Groups A, B, C, D

Class II, Division 2, Groups F, G

Class III Hazardous Locations

Class I, Zone 2, Group IIC

Firmware/Software

- OPEN HMI – open for all software applications
- Ready-to-run operating system in 25 languages
- Windows Embedded Standard 2009 / 7 Ultimate
- Optional installation of visualization software e. g. WinCC flexible® / Factory Talk View® / Vijeo Citect®, etc.

Description

The MT-406 Panel PC with bright 10.4" display and many individual function keys is the ideal start into the MT-400 series – Panel PCs for hazardous areas, zone 2, 22. This full-fledged PC can be integrated in the company network architecture, and at the same time is able to independently perform on-site process automation tasks. The MT-406 is a highly versatile HMI, with intuitive touch screen and individual control via softkeys and function keys.

The MT-406 is ready-to-run worldwide, with pre-installed, multilingual Windows Embedded Standard 2009 or -7 Ultimate operating system (QNX, Linux optional) – without time-consuming installation of drivers or operating systems.

All pre-installed operating systems are protected against external manipulations. In the rare case of a system failure, the BACKUP / RECOVERY solution via USB stick allows to immediately restore the original state.

MT-406 – 10.4" (800 x 600)

NO. DS200640240100 | EN
2014 | V 03.02.11



CEC / CSA

2512677

Ex d e ia ib mb nA [ib Gb] [ic] IIC T4 Gc, Type 4X, IP66

Ex ia tc [ib ic] IIIC T80°C Dc, IP66

Class II, Division 2, Groups E, F, G, T80°C

INMETRO

UL-BR 12.0398X

MT-xx6-A-Tx

Ex d e ia ib mb nA [ib Gb] [ic] IIC T4 Gc

Ex ia tc [ib Db] [ic] IIIC T80°C Dc IP66

MT-xx6-A-Fx

Ex d e ia ib mb nA [ia op is Gb] IIC T4

Ex ia tc [ib op is Db] [ic] IIIC T80°C Dc IP66

CNEX (China)

CNEx14.0049X

Ex d e ia ib mb nA [ib Gb] [ic] IIC T4 Gc

DNV (Det Norske Veritas)

A-12989

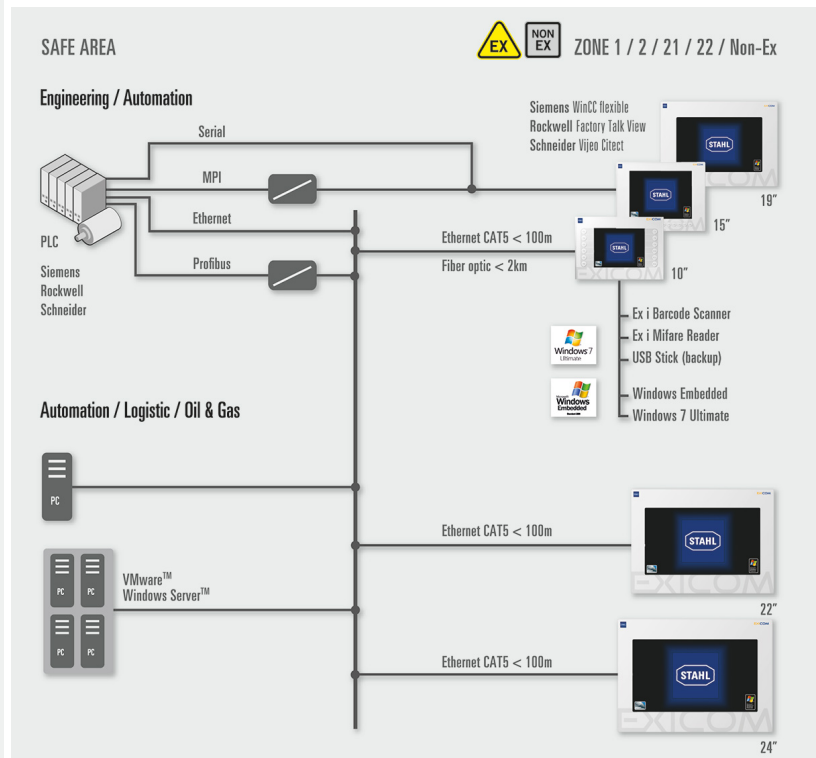
LR (Lloyd's Register)

11/20032

Ingress protection

Front and back side IP66

Operating Principle



MT-406 – 10.4" (800 x 600)

NO. DS200640240100 | EN
2014 | V 03.02.11



Technical Data

Mounting design	Front panel mounting
Display	26 cm (10,4") TFT color display 16,777,216 colors SVGA 800 x 600 Aspect ratio 4:3 Brightness 400 cd/m ² Contrast 700:1 8 wire resistive touch screen as standard
Backlighting	LED technology Service life 130,000 h at +10 °C [+50 °F] 55,000 h at +35 °C [+95 °F] 40,000 h at +55 °C [+131 °F]
Display function keys	12 function keys 10 soft keys Cursor keys 12 alphanumeric keys 14 system keys Polyester film on aluminum plate
External keyboard	Yes (optional), 105 / 107 keys, incl. trackball / joystick (Ex ib/ic)
Processor	ATOM 1.6 GHz
RAM	1 / 2 GB
Memory	4 / 16 GB, 128 GB MLC / SLC (Solid State Card)
Memory upgrade optional	Hard drive EXICOM-SHD-xxx 100 GB
Operating system	Windows XP Embedded MUI Windows 7 MUI
Standard Software	WinCC flexible, IFix, RSView (for more software solutions, please refer to the homepage)
Interfaces	1 x Ethernet 10/100BaseTx (Ex nA) or FO 100BaseFx, 100 Mbit (Ex op is) 2 x USB (Ex nA) 2 x USB (Ex ib/ic) 2 x PS/2 (Ex ib/ic) (keyboard, pointing device) 1 x RS-232 / RS-422 / RS-485 (Ex nA) 1 x Audio line out (Ex nA) Optional Interfaces 1 x RSi (Ex ib/ic) data and data supply for readers 1 x RS-232 / RS-422 / RS-485 (Ex nA) WLAN via USB (Ex nA)
Dimensions (W x H x D)	400 x 270 x 150 mm (15.75 x 10.63 x 5.90")
Cutout	385.5 x 257.5 (+/- 0.5) mm (15.17 x 10.13 (+/-0.02)")
Weight	13.6 kg (29.9 lbs)
Power supply	24 VDC (20.4 up to 28.8 VDC); 1.2 A; 28.8 W optional: external power supply 90 - 253 VAC

MT-406 – 10.4" (800 x 600)

NO. DS200640240100 | EN
2014 | V 03.02.11



Permissible ambient temperature ranges	Operation: -20 °C up to +55 °C* [-4 °F up to +131 °F] Operation with heater **: -30 °C up to +55 °C* [-22 °F up to +131 °F] Operation with heater **, enclosure insulation, protection screen: -40 °C up to +55 °C* [-40 °F up to +131 °F] Storage: -30 °C up to +60 °C [-22 °F up to +140 °F] * MT-4x6-A and MT-5x6-A: 5 h maximum operation at +55 °C [+131 °F]; continuous operation (24/7) at +50 °C [+122 °F] ** The heater has to be designed to ensure that the temperature inside the enclosure of the operating unit does not fall below -20 °C [-4 °F] (-30 °C [-22 °F] only at the front side)
Heat dissipation	Front plate cooling by heat pipe approx. 50 % through front plate, approx. 50 % through back side
Relative humidity	90 % at +40 °C [+104 °F], non condensing
Vibration	Operation: 3 up to 22 Hz: 1 mm (0.04") 22 up to 500 Hz: 9.8 m/s ² = 1 g (32 ft/s ² = 0.03 oz) Transportation: 3 up to 9 Hz: 3.5 mm (0.14") 9 up to 500 Hz: 9.8 m/s ² = 1 g (32 ft/s ² = 0.03 oz)
Shock	Operation: 15 g / 11 ms (0.52 oz/11 ms) Transportation: 25 g / 6 ms (0.88 oz/6 ms)
Material front side	UV-resistant polyester film on seawater-resistant aluminum, incl. touch screen und protective safety glass
Material back side	Stainless steel
Ingress protection	Front and back side IP66