

MT-467 – 22" (1680 x 1050)

NO. DS200640240105 | EN
2014 | V 01.01.11



MT-467 – 22" (1680 x 1050)

Highlights

- Rugged Panel PCs for temperatures ranging between -20 °C up to +60 °C [-4 °F up to +140 °F]
- Optional available with innovative sunlight-readable display
- Incl. special enclosure for rig floor applications
- Rugged, modular structured product design
- Without additional enclosure suitable for use in hazardous areas / many enclosure and mounting options

Explosion Protection

Examination Certificate / Identification



ATEX directive 94/9/EG

BVS 12 ATEX E 033 X

II 3 (1) G Ex nA nR [ia op is Ga] IIC T4 Gc

II 3 (1) D Ex tc IIIC [ia op is Da] IP66 T110°C DcET

IECEX

BVS 14.0034X

Ex nA nR [ia op is Ga] IIC T4 Gc

Ex tc IIIC [ia op is Da] IP66 T110°C Dc

Ingress protection

Front and back side IP66

Firmware/Software

- OPEN HMI – open for all software applications
- Ready-to-run operating system in 25 languages
- Windows Embedded Standard 2009 / 7 Ultimate
- Optional installation of visualization software e. g. WinCC flexible® / Factory Talk View® / Vijeo Citect®, etc.

Description

The MT-467 with high bright 22" monitor is the PC of the future for applications in hazardous areas, Zone, 2, 22. The 1680 x 1050 (WSXGA+) resolution is the most popular resolution in modern process industries, and is provided by all process control system suppliers.

As stand-alone PC, the MT-467 can independently perform automation tasks on site, as well as all PCS / ERP and MES tasks within the network.

The LED-backlit technology provides best image quality and readability of all process images. As an option, the displays are available as touch screens for intuitive operation with gloves or a touch pen. The MT-467 can be front-mounted into enclosures (control panel module with anodized aluminium front plate), or rear-mounted (without front plate).

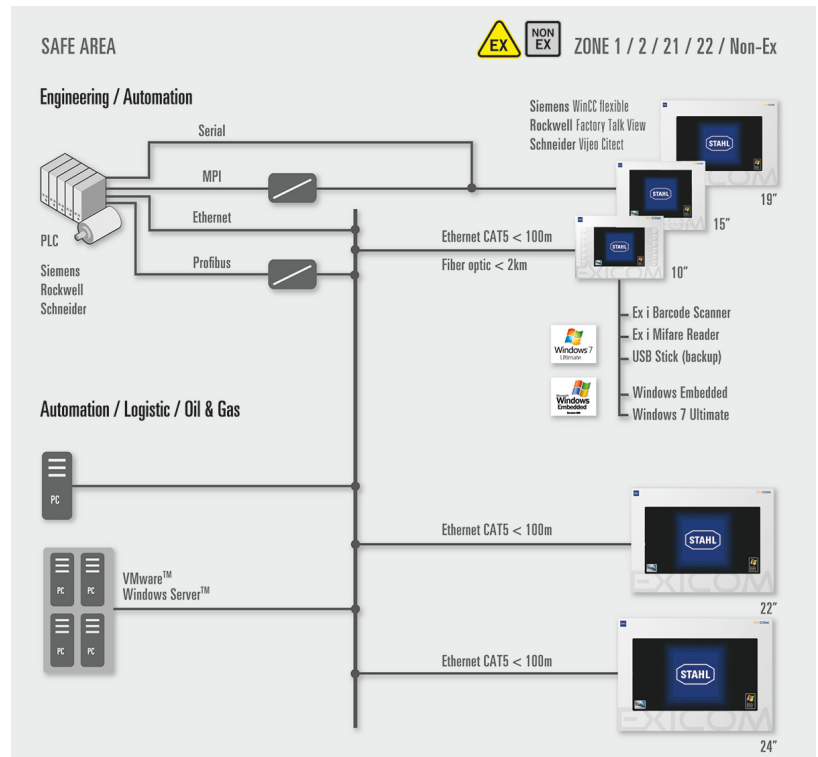
The MT-467 is ready-to-run worldwide, with pre-installed, multilingual Windows Embedded Standard 2009 or -7 Ultimate operating system (QNX, Linux optional) – without time-consuming installation of drivers or operating systems.

MT-467 – 22" (1680 x 1050)

NO. DS200640240105 | EN
2014 | V 01.01.11



Operating Principle



MT-467 – 22" (1680 x 1050)

NO. DS200640240105 | EN
2014 | V 01.01.11



Technical Data

Mounting design	Front panel mounting
Display	56 cm (22") TFT color display 16.7 million colors WSXGA+ 1680 x 1050 Aspect ratio 16:10 Brightness 250 cd/m ² Contrast 1000:1 5 wire resistive touch screen optional
Backlighting	LED technology Service life 50,000 h at +20 °C [-4 °F]
Display function keys	-
External keyboard	Yes (optional), 107 keys, incl. trackball / joystick / mouse / touch pad (Ex ia)
Processor	ATOM 1.6 GHz
RAM	1 / 2 GB
Memory	4 / 16 GB, 128 GB MLC / SLC (Solid State Card)
Memory upgrade optional	Hard drive EXICOM-SHD-xxx 100 GB
Operating system	Windows XP Embedded MUI Windows 7 MUI
Standard Software	WinCC flexible, IFix, RSView (for more software solutions, please refer to the homepage)
Interfaces	1 x Ethernet 10/100BaseTx (Ex nA) or FO 100BaseFx, 100 Mbit (Ex op is) 2 x USB (Ex ia) 1 x USB (Ex nA) 2 x USB (Ex ia) (keyboard, pointing device) 1 x RS-232 (Ex nA) 1 x Audio line out (Ex nA) Optional interfaces 1 x ReaderBox for card reader / barcode scanner WLAN via USB (Ex nA)
Dimensions (W x H x D)	660 x 475 x 110 mm (23.62 x 18.70 x 4.33")
Cutout	615 x 435 (+/- 0.5) mm (24.21 x 17.12 (+/- 0.02)")
Mounting position	horizontal / vertical
Weight	16 kg (35.2 lbs)
Power supply	24 VDC (max. = 3 A) 100 - 240 VAC (max. = 1 A)
Permissible ambient temperature ranges	Operation -20 °C up to +60 °C [-4 °F ... +140 °F] Permanent operation -20 °C up to +50 °C [-4 °F ... +122 °F] Operation with heater version O30* -30 °C up to +50 °C [-22 °F ... +122 °F] Storage -30 °C up to +70 °C [-22 °F ... +158 °F] * The O30 version is only available for the AC version devices !
Heat dissipation	approx. 40 % through front plate, approx. 60 % through back side
Relative humidity	10 up to 90 % at +40 °C [+104 °F], non condensing
Material front side	Aluminum front plate, glass, optional glass touch screen or polyester touch screen
Material back side	Galvanized sheet steel
Ingress protection	Front and back side IP66

MT-467 – 22" (1680 x 1050)

NO. DS200640240105 | EN
2014 | V 01.01.11

