

MT-477 – 24" (1920 x 1080 Full HD)

NO. DS200640240106 | EN
2014 | V 01.01.11



MT-477 – 24" (1920 x 1080 Full HD)

Highlights

- Rugged Panel PCs for temperatures ranging between -20 °C up to +60 °C [-4 °F up to +140 °F]
- Optional available with innovative sunlight-readable display
- Incl. special enclosure for rig floor applications
- Rugged, modular structured product design
- Without additional enclosure suitable for use in hazardous areas / many enclosure and mounting options

Explosion Protection

Examination Certificate / Identification



ATEX directive 94/9/EG

BVS 12 ATEX E 033 X

II 3 (1) G Ex nA nR [ia op is Ga] IIC T4 Gc

II 3 (1) D Ex tc IIIC [ia op is Da] IP66 T110°C Dc

IECEX

BVS 14.0034X

Ex nA nR [ia op is Ga] IIC T4 Gc

Ex tc IIIC [ia op is Da] IP66 T110°C Dc

Ingress protection

Front and back side IP66

Firmware/Software

- OPEN HMI – open for all software applications
- Ready-to-run operating system in 25 languages
- Windows Embedded Standard 2009 / 7 Ultimate
- Optional installation of visualization software e. g. WinCC flexible® / Factory Talk View® / Vijeo Citect®, etc.

Description

The MT-477 with 24" widescreen monitor and 1920 x 1080 Full HD resolution is the state-of-the-art PC solution in the process industry. The MT-477 is the result of a sophisticated combination of the widescreen technology of the T-series and state-of-the-art PC technology – certified for hazardous areas, Zone 2, 22.

As a stand-alone PC, the MT-477 can independently perform automation tasks on site, as well as all PCS / ERP and MES tasks within the network.

The LED-backlit technology provides best image quality and readability of all process images. The 24" monitor is optionally available with intuitive touch screen, operated with gloves or touch pen. The MT-477 can be front-mounted into enclosures (control panel module with anodized aluminum front plate), or rear-mounted (without front frame).

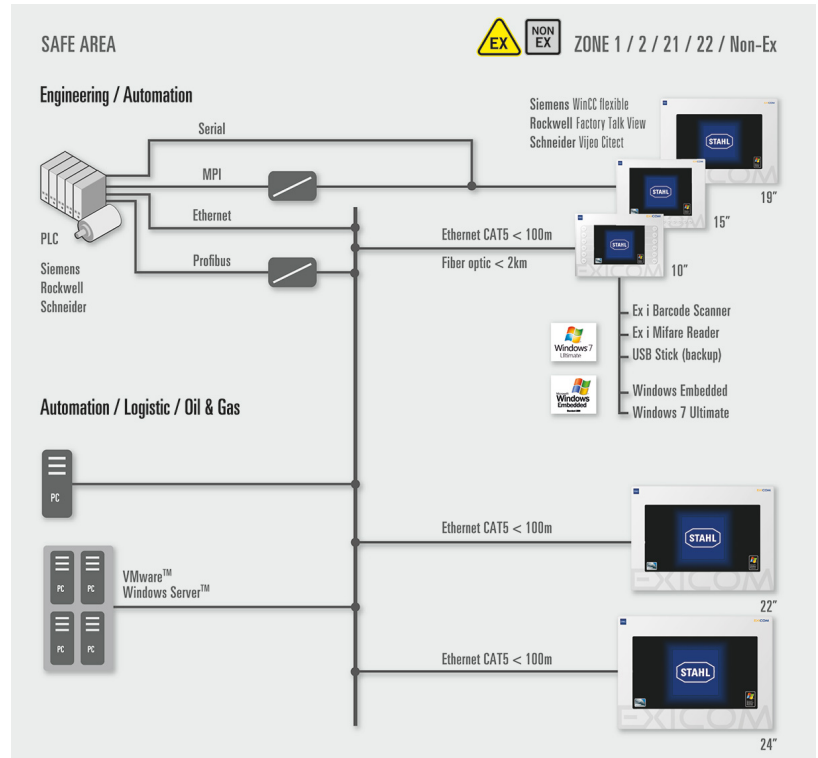
The MT-477 is ready-to-run worldwide, with pre-installed, multilingual Windows Embedded Standard 2009 or -7 Ultimate operating system (QNX, Linux optional) – without time-consuming installation of drivers or operating systems.

MT-477 – 24" (1920 x 1080 Full HD)

NO. DS200640240106 | EN
2014 | V 01.01.11



Operating Principle



MT-477 – 24" (1920 x 1080 Full HD)

NO. DS200640240106 | EN
2014 | V 01.01.11



Technical Data

Mounting design	Front panel mounting
Display	61 cm (24") TFT color display 16.7 million colors Full HD 1920 x 1080 Aspect ratio 16:9 Brightness 300 cd/m ² Contrast 1000:1 5 wire resistive touch screen optional
Backlighting	LED technology Service life 50,000 h at +20 °C [-4 °F]
Display function keys	-
External keyboard	Yes (optional), 107 keys, incl. trackball / joystick / mouse / touch pad (Ex ia)
Processor	ATOM 1.6 GHz
RAM	1 / 2 GB
Memory	4 / 16 GB, 128 GB MLC / SLC (Solid State Card)
Memory upgrade optional	Hard drive EXICOM-SHD-xxx 100 GB
Operating system	Windows XP Embedded MUI Windows 7 MUI
Standard Software	WinCC flexible, IFix, RSView (for more software solutions, please refer to the homepage)
Interfaces	1 x Ethernet 10/100BaseTx (Ex nA) or FO 100BaseFx, 100 Mbit (Ex op is) 2 x USB (Ex ia) 1 x USB (Ex nA) 2 x USB (Ex ia) (keyboard, pointing device) 1 x RS-232 (Ex nA) 1 x Audio line out (Ex nA) Optional interfaces 1 x ReaderBox for card reader / barcode scanner WLAN via USB (Ex nA)
Dimensions (W x H x D)	660 x 475 x 110 mm (23.62 x 18.70 x 4.33")
Cutout	615 x 435 (+/- 0.5) mm (24.21 x 17.12 (+/- 0.02)")
Mounting position	horizontal / vertical
Weight	16 kg (35.2 lbs)
Power supply	24 VDC (max. = 3 A) 100 - 240 VAC (max. = 1 A)
Permissible ambient temperature ranges	Operation -20 °C up to +60 °C [-4 °F ... +140 °F] Permanent operation -20 °C up to +50 °C [-4 °F ... +122 °F] Operation with heater version O30* -30 °C up to +50 °C [-22 °F ... +122 °F] Storage -30 °C up to +70 °C [-22 °F ... +158 °F] * The O30 version is only available for the AC version devices !
Heat dissipation	approx. 40 % through front plate, approx. 60 % through back side
Relative humidity	10 up to 90 % at +40 °C [+104 °F], non condensing
Material front side	Aluminum front plate, glass, optional polyester touch screen
Material back side	Galvanized sheet steel
Ingress protection	Front and back side IP66

MT-477 – 24" (1920 x 1080 Full HD)

NO. DS200640240106 | EN
2014 | V 01.01.11

