

# MT-487 – 24" WU (1920 x 1200)

NO. DS200640240107 | EN  
2014 | V 01.01.11



## MT-487 – 24" WU (1920 x 1200)

### Highlights

- Rugged Panel PCs for temperatures ranging between -20 °C up to +60 °C [-4 °F up to +140 °F]
- Optional available with innovative sunlight-readable display
- Incl. special enclosure for rig floor applications
- Rugged, modular structured product design
- Without additional enclosure suitable for use in hazardous areas / many enclosure and mounting options

### Explosion Protection

Examination Certificate / Identification



#### ATEX directive 94/9/EG

BVS 12 ATEX E 033 X

II 3 (1) G Ex nA nR [ia op is Ga] IIC T4 Gc

II 3 (1) D Ex tc IIIC [ia op is Da] IP66 T110°C Dc

#### IECEX

BVS 14.0034X

Ex nA nR [ia op is Ga] IIC T4 Gc

Ex tc IIIC [ia op is Da] IP66 T110°C Dc

### Ingress protection

Front side IP66, back side IP65

### Firmware/Software

- OPEN HMI – open for all software applications
- Ready-to-run operating system in 25 languages
- Windows Embedded Standard 2009 / 7 Ultimate
- Optional installation of visualization software e. g. WinCC flexible® / Factory Talk View® / Vijeo Citect®, etc.

### Description

The MT-487 with 24" widescreen monitor and 1920 x 1200 WUXGA resolution is the widest screen size available for explosion-protected HMIs, certified for hazardous areas, Zone 2, 22, and the trend-setting solution in the process industry. The MT-487 is the result of a sophisticated combination of the widescreen technology of the T-series and state-of-the-art PC technology.

As a stand-alone PC, the MT-487 can perform automation tasks on site, as well as all PCS / ERP and MES tasks within the network. The LED backlighting ensures excellent readability of the process information. The monitors are optionally available with intuitive touch screen, operated with gloves or touch pen. The MT-487 devices can be front-mounted into enclosures (control panel module with anodized aluminum front plate), or rear-mounted (without front frame).

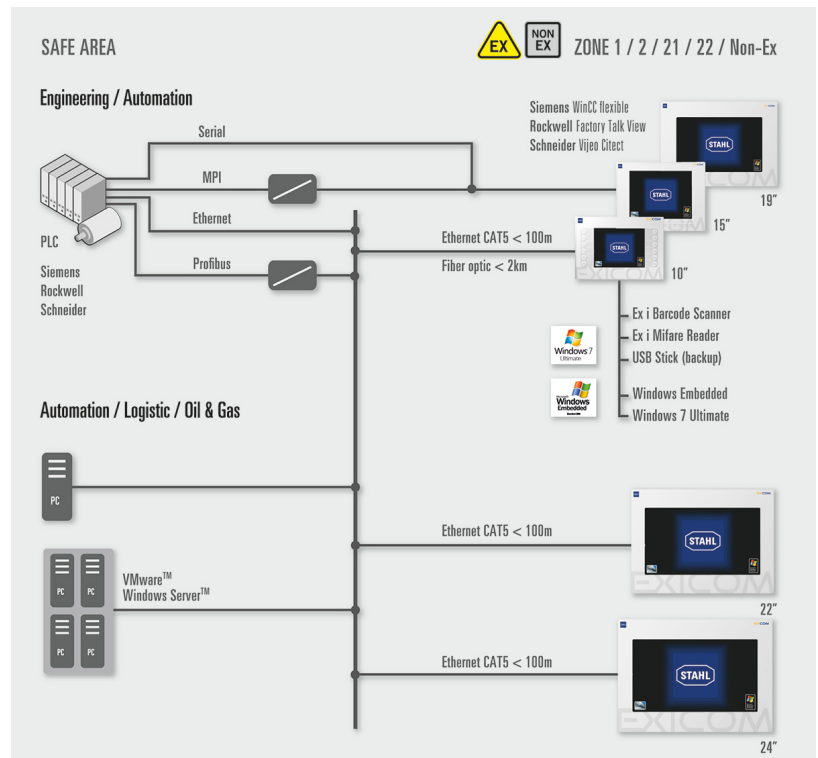
The MT-487 is ready-to-run worldwide, with pre-installed, multilingual Windows Embedded Standard 2009 or -7 Ultimate operating system (QNX, Linux optional) – without time-consuming installation of drivers or operating systems. All pre-installed operating systems are protected against external manipulations. In the rare case of a system failure, the BACKUP / RECOVERY solution via USB stick allows to immediately restore the original state.

# MT-487 – 24" WU (1920 x 1200)

NO. DS200640240107 | EN  
2014 | V 01.01.11



## Operating Principle



# MT-487 – 24" WU (1920 x 1200)

NO. DS200640240107 | EN  
2014 | V 01.01.11



## Technical Data

|  |   |
|--|---|
| Mounting design                        | Front panel mounting  |
| Display                                | 61 cm (24"WU) TFT color display<br>16.7 million colors<br>WUXGA 1920 x 1200<br>Aspect ratio 16:10<br>Brightness 300 cd/m <sup>2</sup><br>Contrast 1000:1<br>5 wire resistive touch screen optional  |
| Backlighting                           | LED technology<br>Service life 50,000 h at +20 °C [-4 °F]   |
| Display function keys                  | -   |
| External keyboard                      | Yes (optional), 107 keys, incl. trackball / joystick / mouse / touch pad (Ex ia)  |
| Processor                              | ATOM 1.6 GHz  |
| RAM                                    | 1 / 2 GB  |
| Memory                                 | 4 / 16 GB, 128 GB MLC / SLC (Solid State Card)  |
| Memory upgrade optional                | Hard drive EXICOM-SHD-xxx 100 GB  |
| Operating system                       | Windows XP Embedded MUI<br>Windows 7 MUI  |
| Standard Software                      | WinCC flexible, IFix, RSView<br>(for more software solutions, please refer to the homepage)   |
| Interfaces                             | 1 x Ethernet 10/100BaseTx (Ex nA) or<br>FO 100BaseFx, 100 Mbit (Ex op is)<br>2 x USB (Ex ia)<br>1 x USB (Ex nA)<br>2 x USB (Ex ia) (keyboard, pointing device)<br>1 x RS-232 (Ex nA)<br>1 x Audio line out (Ex nA)<br><b>Optional interfaces</b><br>1 x ReaderBox for card reader / barcode scanner<br>WLAN via USB (Ex nA) |
| Dimensions (W x H x D)                 | 660 x 475 x 110 mm (23.62 x 18.70 x 4.33")  |
| Cutout                                 | 615 x 435 (+/- 0.5) mm (24.21 x 17.12 (+/- 0.02)")  |
| Mounting position                      | horizontal / vertical   |
| Weight                                 | 16 kg (35.2 lbs)  |
| Power supply                           | 24 VDC (max. = 3 A)<br>100 - 240 VAC (max. = 1 A)   |
| Permissible ambient temperature ranges | Operation -20 °C up to +60 °C [-4 °F ... +140 °F]<br>Permanent operation -20 °C up to +50 °C [-4 °F ... +122 °F]<br>Operation with heater version O30* -30 °C up to +50 °C [-22 °F ... +122 °F]<br>Storage -30 °C up to +70 °C [-22 °F ... +158 °F]<br>* The O30 version is only available for the AC version devices !     |
| Heat dissipation                       | approx. 40 % through front plate, approx. 60 % through back side  |
| Relative humidity                      | 10 up to 90 % at +40 °C [+104 °F], non condensing   |
| Material front side                    | Aluminum front plate, glass, optional polyester touch screen  |
| Material back side                     | Galvanized sheet steel  |
| Ingress protection                     | Front and back side IP66  |

# MT-487 – 24" WU (1920 x 1200)

NO. DS200640240107 | EN  
2014 | V 01.01.11

---

