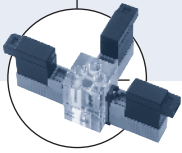


Type 6604 can be combined with...



Ideal for systems

- Low dead volume, low internal volume
- High chemical resistance
- Low power consumption
- Internal contours easily flushed
- Optional impulse (latching) model

This direct-acting patented flipper solenoid valve with media isolation is available as a 2/2-way valve or as a 3/2-way valve with mono or bi-stable (impulse) switching function. The impulse valve works with a very small

energy requirement, and is therefore specially suited for battery operation. The valves have a minimum dead volume and an internal contour that has few crevices, making it easy to flush out. The heat transfer between

the coil and the medium is minimal. The use of high quality materials results in a high resistance to aggressive chemicals. The wetted parts include the PEEK body, the FFKM seal and the FFKM elastomer.

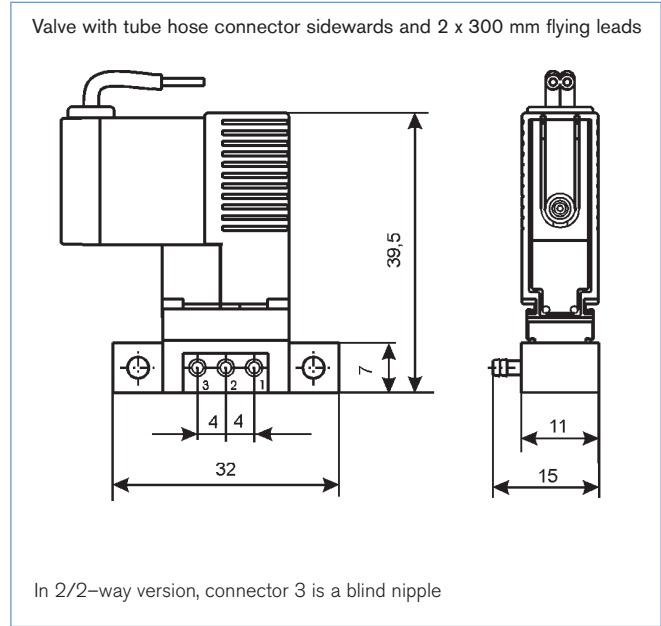
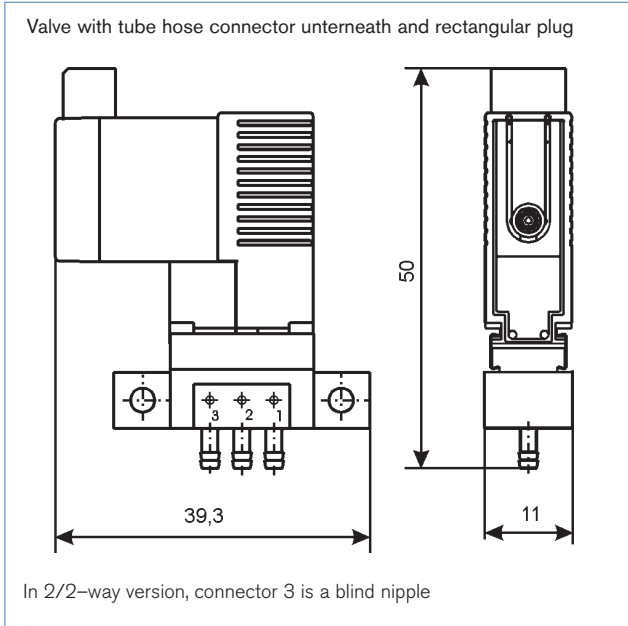
Technical data	
Orifice	DN 0.6 mm (DN 1.0 on request)
Body material	PEEK
Seal material	FFKM
Media	Resistant to neutral and aggressive liquids and gases, see Burkert chemical resistance chart
Temperature media	32°F to 122°F (0°C to +50°C)
Ambient temperature	Max. 131°F (+55°C)
Internal volume	
3/2-way version	Approx. 45 µl
2/2-way version	Approx. 35 µl
Fluid chamber	15 µl
Port connection	Manifold mount
Manifolds (PEEK, stainless steel)	UNF 1/4–28, M3, Tube spigot on request
Manual override	Push manual override standard

Technical data (continued)	
Operating voltage	6, 12, 24 VDC
Voltage tolerance	±10%
Power consumption	1.5 W
Duty cycle	100% continuous rating
Manifold mounting (in case Media- or ambient temperature higher 104°F (40°C))	40% intermittent rating (10 min)
Cycling function	Monostable or bistable (option)
Electrical connections	Rectangular plug or 2 single flying leads, 300 mm
Protection class	IP 40 with rectangular plug IP 54 with flying leads
Mounting (sub-base valve)	with holders and mounting screw
Installation	As required, preferably with flange downwards
Response times vary	Approx. 20ms

Dimensions

Dimensions of valves with tube hose connector on request

(see sub-base valves for further dimensions)



Ordering chart with tube spigots sideways (other versions on request)

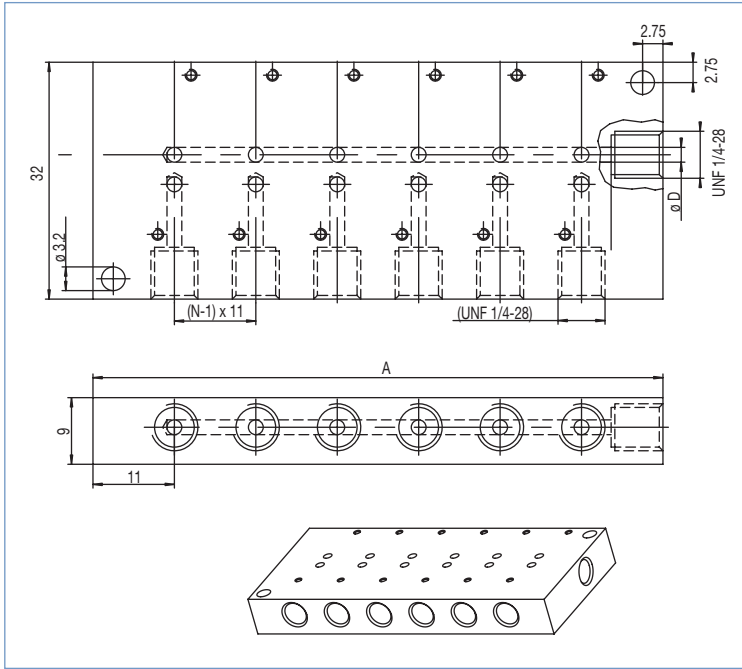
All valves with PEEK body and FFKM seal, rectangular plug types delivered without plug (see Accessories).
PEEK manifolds with tube hose connectors are fixed with the valves.

Circuit function	Orifice [mm]	Cv value water [m³/h]	Cv value II water [l/min]	QIn value air [l/min]	Pressure range [PSI]	Cycling function	Voltage/Frequency [V/Hz]	Electrical connection	Item no. tube spigots sideways
	0.6	0.007	0.1	6.4	Vac - 43	monostable	12/DC	Rectangular plug 5.08 mm	145 617
							Flying leads, 300 mm	145 620	
						24/DC	Rectangular plug 5.08 mm	145 621	
							Flying leads, 300 mm	145 619	
	0.6	0.007	0.1	6.4	Vac - 43	monostable	12/DC	Rectangular plug 5.08 mm	145 624
							Flying leads, 300 mm	145 622	
						24/DC	Rectangular plug 5.08 mm	145 625	
							Flying leads, 300 mm	145 626	
bistabil (impuls)	06/DC	Rectangular plug 5.08 mm	145 623						
		Flying leads, 300 mm	145 627						

DTS 1000082456 EN Version: A Status: RL (released | freigegeben | valide) printed: 29.08.2013

Dimensions of multiple manifolds for Type 6604 standard divider/collector

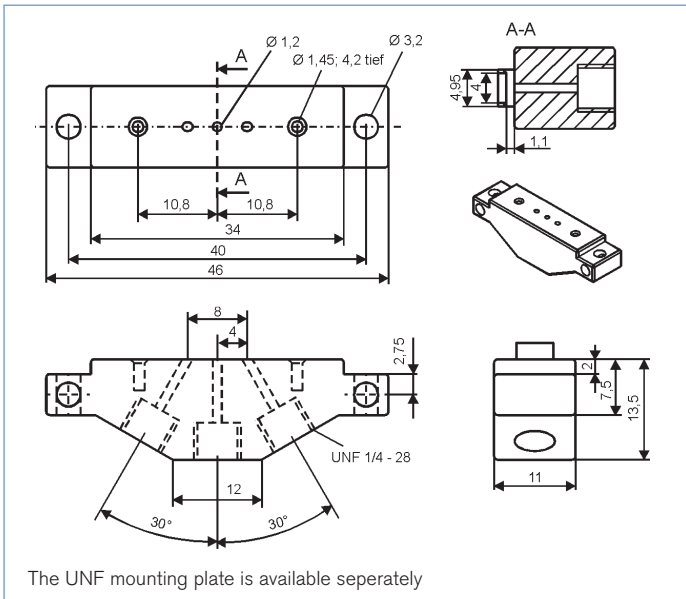
With one common inlet/outlet, individual outlet/inlets (all UNF 1/4-28) shipment without valves; Material PEEK



Ordering chart for Type 6604 manifolds

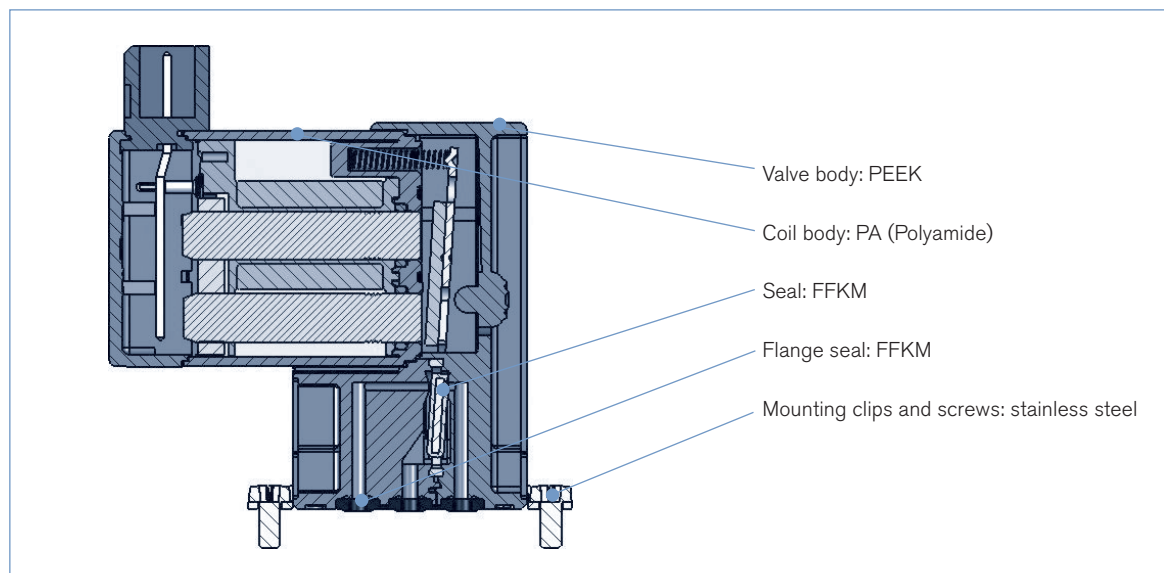
Stations	Dimensions A [mm]	Dimensions D [mm]	Item no.
2 valves	33	1.2	659 285
3 valves	44	1.2	659 286
4 valves	55	1.2	659 287
5 valves	66	2	653 131
6 valves	77	2	659 288
7 valves	88	2	659 289
8 valves	99	2	659 290
9 valves	110	2	659 291
10 valves	121	2	651 379

Single manifold PEEK with UNF-connection



DTS 1000082456 EN Version: A Status: RL (released | freigegeben | validé) printed: 29.08.2013

Materials



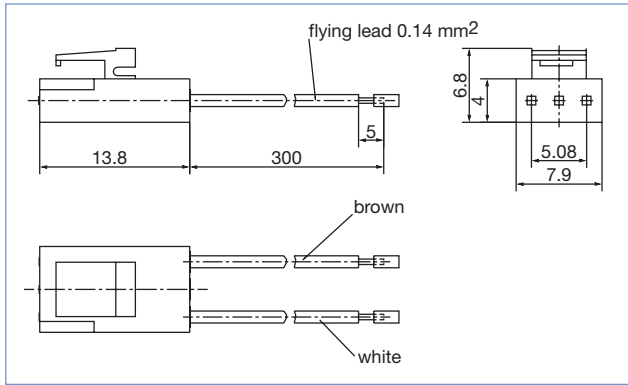
Ordering chart for accessories

Accessories	Feature	Item no.
Rectangular cable plug, grid spacing 5.08 mm	with 3 m cable	133 486
	with 300 mm flying leads	644 068
	with 2 m flying leads	148 578
	with 2 single contacts	644 067
Single PEEK manifold	with 3 x UNF-1/4-28 ports	645 752
Single manifold in stainless steel	with 3 x M3 ports	644 684

Other accessories on request

- Multiple manifolds
- Fittings and tubes (see also Type 1013-AA 05)
- Special electronics to shorten the response time
- Rectangular cable plug, grid spacing 5.08 mm, for plate mounting

Rectangular cable plug Type 2505



DTS 1000082456 EN Version: A Status: RL (released | freigegeben | validé) printed: 29.08.2013