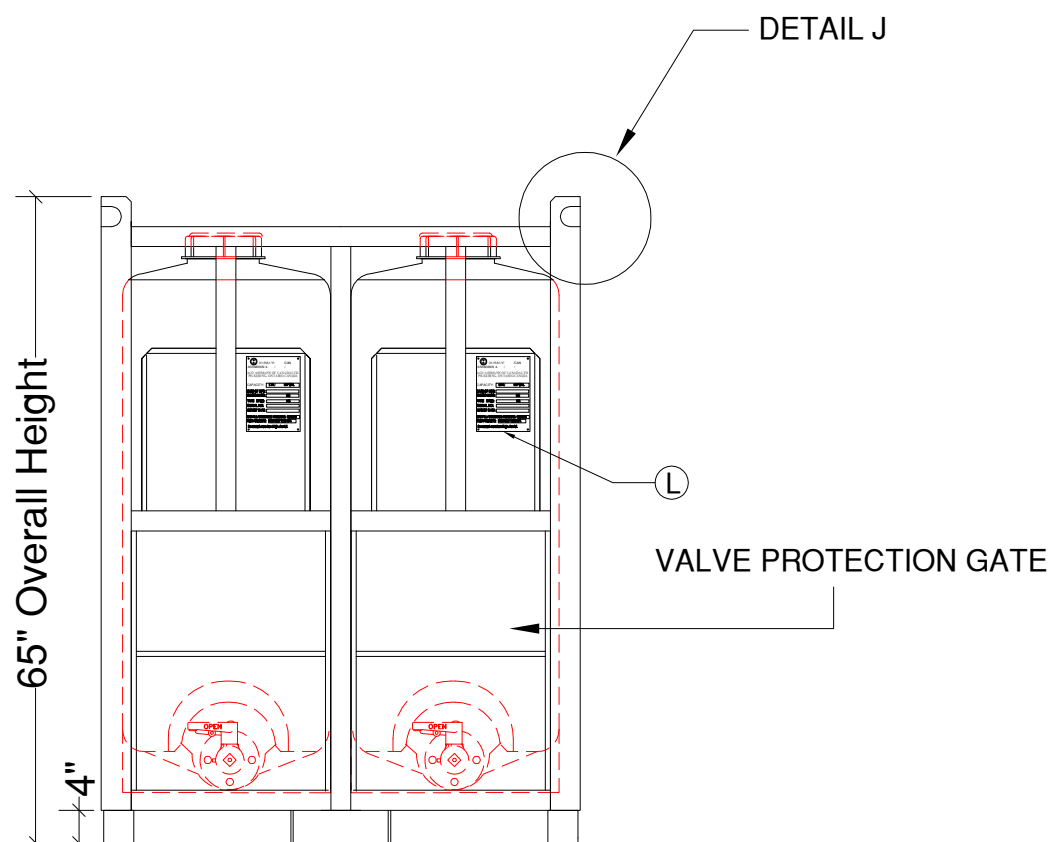
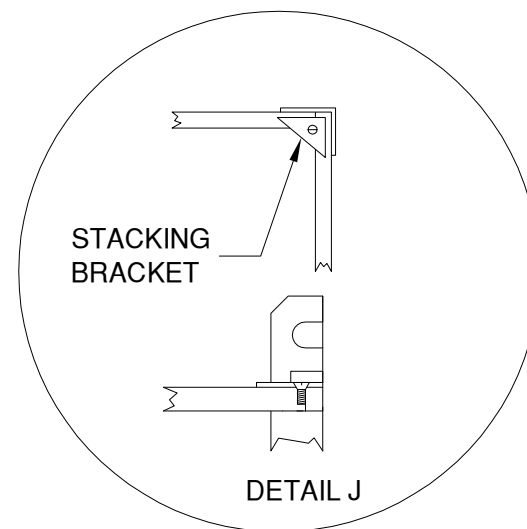
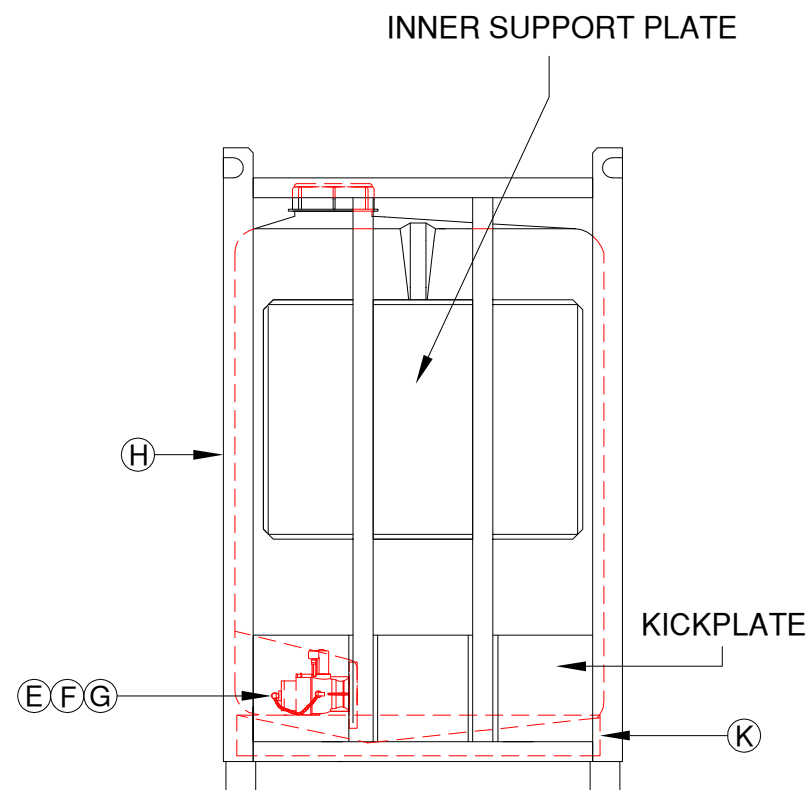


PLAN VIEW



FRONT VIEW



SIDE VIEW

MATERIALS LIST

ITEM	SIZE	DESCRIPTION	NOTES
A		135 IG (615 L) POLYETHYLENE BOTTLE	
B	6"	ORANGE HDPE THREADED LID W/ TIE-DOWN	
C		LID GASKET	EPDM OR VITON
D		VENT - VACUUM & PRESSURE RELIEF (OPTIONAL)	IN LID
E	2"	FLANGE GASKET	EPDM OR VITON
F	2"	BALL VALVE; POLYPROPYLENE OR 316-SS	FNPT OR CAMLOC
G		VALVE MOUNTING HARDWARE KIT	
H		STEEL FRAME WITH 12" KICKPLATES AND VALVE PROTECTION GATE	
J		FRAME CORNER STACKING BRACKET W/ SCREW	4 PCS REQUIRED
K		BLACK POLY FRAME PILLOW	
L		AMULINUM U.N. FRAME TAG	

- TECHNICAL DATA:
- CAPACITY: 135 IMP GAL, 615 L
 - WEIGHT: 695 LBS, 315 KG
 - PRIMARY MARKINGS: 31HA1/Y/

REV	DATE	DESCRIPTION	BY	APPD	REVD
REVISIONS					

CUSTOMER

TITLE

ACO JOB NO:

PURCHASE ORDER NO:

PURCHASER'S EQUIP. NO:

THIS DRAWING IS THE PROPERTY OF ACO CONTAINER SYSTEMS LTD. AND SHALL NOT BE COPIED OR TRANSFERRED WITHOUT THE WRITTEN CONSENT OF ACO CONTAINER SYSTEMS LTD.

ENGINEERS SEAL

ACO CONTAINER SYSTEMS LTD.

PICKERING - ONTARIO - CANADA

ACO CONTAINER SYSTEMS LTD. 794 MCKAY RD. PICKERING, ONTARIO, CANADA L1W 2Y4 TEL. 905-683-8222 FAX 905-683-2969	DESIGNED	S.A.
	DRAWN	D.G.
	CHECKED	
	APPROVED	
	SCALE	N.T.S.
	DATE	04-09-07

DWG No **PTC-2-135** REV **0**