

Features

- Compact Spool Valve
- Single and dual solenoid constructions available
- Unique design combines hard T-seals and flexible o-rings, provides bubble-tight shutoff, resistance to dirt and multimillion cycle life controlling air or inert gas
- Low Power and Intrinsically Safe construction available
 See *Special Service Pilot Valve Section for details*

Construction

Valve Parts in Contact with Fluids			
Body	Aluminum, Black Anodized	Brass	316L Stainless Steel
End Cover (Spring end)	Glass-filled Polyamide	Brass	316L Stainless Steel
Spool Valve Internals	Zamak, Stainless Steel, Acetal (POM), Aluminum	Brass, Acetal (POM), Delrin	
Pilot End Covers	Aluminum, Black Anodized	Brass	316L Stainless Steel
Core Tube	Stainless Steel		
Core and Plugnut	Stainless Steel		
Springs	Stainless Steel		
Seals and Discs	NBR		
Top Disc	Nylon (PA)		
Core Guide	Acetal		
Seat and Seat Insert	Brass, Acetal		
Shading Coil	Copper		
Rider Ring (low power)	PTFE		

Electrical

Standard Coil and Class of Insulation	Watt Rating and Power Consumption				Spare Coil Part Number			
	DC Watts	AC			General Purpose		Explosionproof	
		Watts	VA Holding	VA Inrush	AC	DC	AC	DC
F	11.6	10.1	25	50	238610	238710	238614	238714

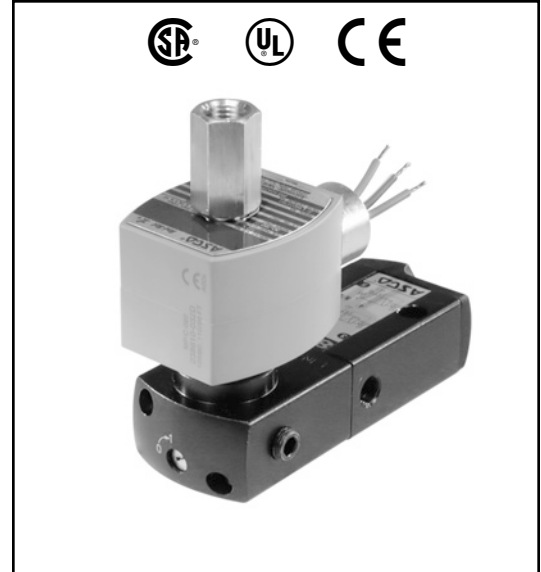
Standard Voltages: 24, 120, 240, 480 volts AC, 60 Hz (110, 220 volts AC, 50 Hz).
 6, 12, 24, 120, 240 volts DC. Must be specified when ordering.
 Other voltages are available when required.

Solenoid Enclosures

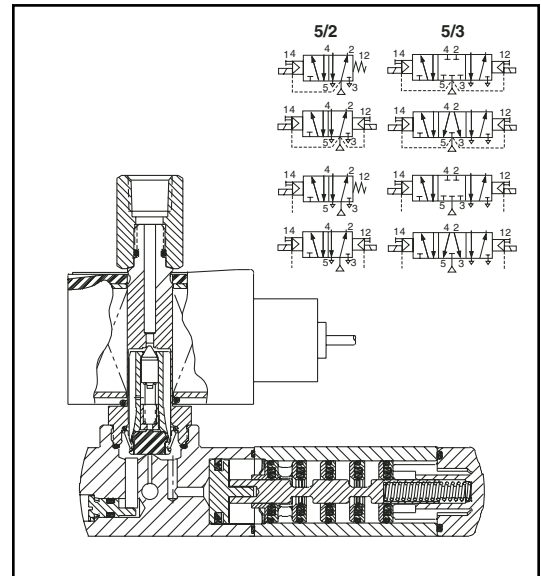
Standard: Watertight, Types 1, 2, 3, 3S, 4, and 4X.

Optional: Explosionproof and Watertight, Types 3, 3S, 4, 4X, 6, 6P, 7, and 9.
 (To order, add prefix "EF" or "EV" for stainless steel) to catalog number.)

See *Optional Features Section for other available options.*



4-WAY



Nominal Ambient Temp. Ranges

Body Material	Description
Aluminum	AC: 5°F to 125°F (-15°C to 52°C) DC: 5°F to 104°F (-15°C to 40°C)
Brass	AC: -40°F to 125°F (-40°C to 52°C)
Stainless Steel	DC: -40°F to 104°F (-40°C to 40°C)

Approvals

UL/CSA approvals for aluminum constructions pending. EF and EV are UL listed solenoids. CSA certified. Meet applicable CE directives.

Refer to *Engineering Section for details.*

Specifications (English units)

Body Material	Pipe Size (in)	Orifice Size (in)	Cv Flow Factor	Single Solenoid						Dual Solenoid											
				Operating Pressure Differential (psi)			Max. Fluid Temp. °F			Catalog Number	Const. Ref.	Operating Pressure Differential (psi)			Max. Fluid Temp. °F			Catalog Number	Const. Ref.	Watt Rating/Class of Coil Insulation	
				Air-Inert Gas			Temp. °F					Air-Inert Gas			Temp. °F					AC	DC
				Min.	Max. AC	Max. DC	AC	DC	Min.			Max. AC	Max. DC	AC	DC						
Aluminum 5/2	1/4	1/4	.86	30	145	120	140	120	8551G417	1	30	145	120	140	120	8551G418	1	10.1/F	11.6/F		
Aluminum 5/3 Center Closed									-							8551G467					
Aluminum 5/3 Center Open									-							8551G468					
Brass 5/2									EF8551G419 ①							EF8551G420 ①					
316L Stainless Steel 5/2									EV8551G421 ②							EV8551G422 ②					
Aluminum 5/2									8553G417							8553G418					
316L Stainless Steel 5/2	EV8553G421 ②	EV8553G422 ②																			

① Brass construction supplied standard with EF solenoid. ② Stainless steel construction supplied standard with EV solenoid.

Specifications (Metric units)

Body Material	Pipe Size (in)	Orifice Size (mm)	Kv Flow Factor (m³/h)	Single Solenoid						Dual Solenoid											
				Operating Pressure Differential (bar)			Max. Fluid Temp. °C			Catalog Number	Const. Ref.	Operating Pressure Differential (bar)			Max. Fluid Temp. °C			Catalog Number	Const. Ref.	Watt Rating/Class of Coil Insulation	
				Air-Inert Gas			Temp. °C					Air-Inert Gas			Temp. °C					AC	DC
				Min.	Max. AC	Max. DC	AC	DC	Min.			Max. AC	Max. DC	AC	DC						
Aluminum 5/2	1/4	6.4	.75	2	10	8.2	60	48	8551G417	1	2	10	8.2	60	48	8551G418	1	10.1/F	11.6/F		
Aluminum 5/3 Center Closed									-							8551G467					
Aluminum 5/3 Center Open									-							8551G468					
Brass 5/2									EF8551G419 ①							EF8551G420 ①					
316L Stainless Steel 5/2									EV8551G421 ②							EV8551G422 ②					
Aluminum 5/2									8553G417							8553G418					
316L Stainless Steel 5/2	EV8553G421 ②	EV8553G422 ②																			

① Brass construction supplied standard with EF solenoid. ② Stainless steel construction supplied standard with EV solenoid.

Dimensions inches (mm)

Series	8551	8553
NPT	1/4	1/2
L1 ①	5.63 (143)	7.06 (179)
L2 ①	7.20 (183)	8.86 (225)
H2	4.38 (111)	4.77 (121)
H1	1.10 (28)	1.58 (40)
W	1.77 (45)	2.85 (72)

① Manual override option MH adds .250", MS option adds .468" to each solenoid endcap.

Optional Manual Operators		
Add Suffix		Description
MO		Push and turn to lock with flat head screwdriver slot
MI		Momentary push in with flat head screwdriver slot
MH		Momentary push in by hand
MS		Push and turn to lock by hand

Const. Ref. 1

