

101 Series

Nickel Plated Brass 2-way Full Port Ball Valve



The 101 is a full port, nickel plated brass, NPT threaded end actuated ball valve. It can be equipped with a manual handle or with direct mount pneumatic or electric actuators. The direct mount actuators eliminate the valve-actuator mounting kit, which adds unnecessary height and expense.

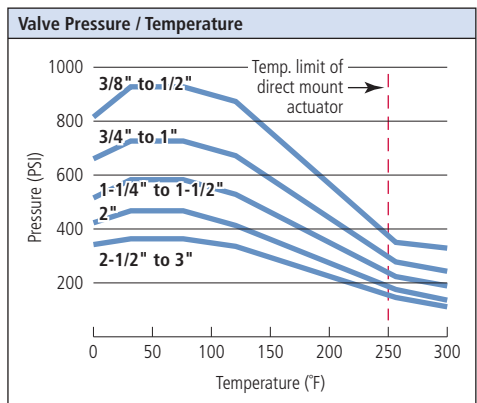
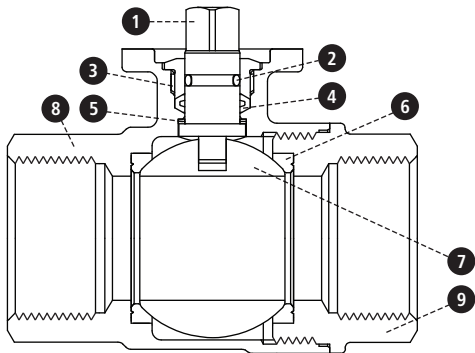
A full range of accessory items are available including limit switches, solenoid valves, positioners and manual override devices.

FEATURES

- Actuated electrically, pneumatically, or manually.
- Full Port for unobstructed flow.
- 2-piece body.
- Integrated mounting pad for actuators.
- Compact assembly.
- Complete line of accessories.

TYPICAL APPLICATIONS

- Air drying equipment.
- Pollution control equipment.
- Process control applications.
- Laundry equipment.
- Textile dyeing and drying.
- Bottling and dispensing equipment.



ACTUATOR CONFIGURATIONS

- Electric.
- Pneumatic (spring return).
- Pneumatic (double acting).
- Manual handle.

PRESSURE RANGE

- 29 inHg vacuum to 900 PSI: 3/8" to 1/2"
- 29 inHg vacuum to 700 PSI: 3/4" to 1"
- 29 inHg vacuum to 525 PSI: 1-1/4" to 1-1/2"
- 29 inHg vacuum to 400 PSI: 2"
- 29 inHg vacuum to 350 PSI: 2-1/2" to 3"

TEMPERATURE RANGE

-4°F to 300°F

MATERIALS OF CONSTRUCTION

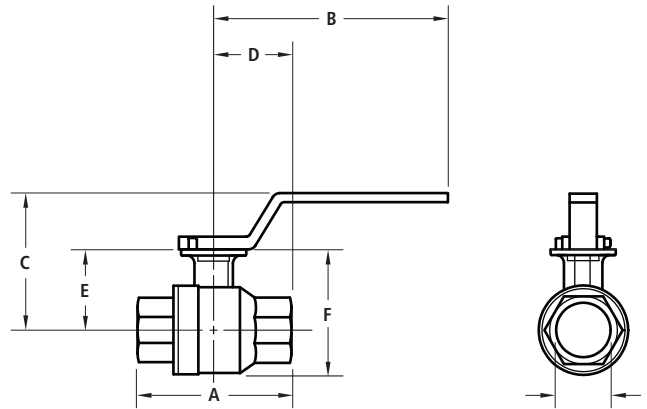
Part	Qty.	Description	Standard Material
1	1	Shaft	Brass
2	1	O-Ring	FKM
3	1	Gland Nut	Brass
4	1	Shaft Seal	PTFE
5	2	Antifriction Rings	PTFE
6	2	Seals	PTFE
7	1	Ball	Chromium Plated Brass
8	1	Body	Nickel Plated Brass
9	1	End Cap	Nickel Plated Brass

CV FACTORS

Size	CV
3/8"	13
1/2"	23
3/4"	70
1"	117
1-1/4"	152
1-1/2"	199
2"	328
3"	901

101NXM Series

Nickel plated brass 2-way full port ball valve with manual handle
(Threaded end connection, 2 piece body)



DIMENSIONS, WEIGHTS & SPECIFICATIONS

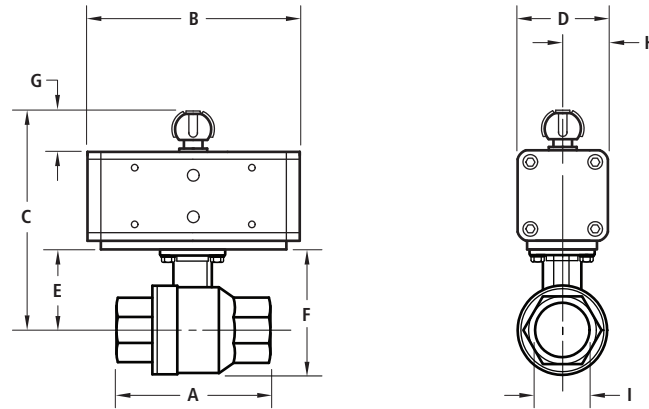
Size	A	B	C	D	E	F	I	Wt. (lbs.)	Model No.
3/8"	2.45	3.71	2.51	1.22	1.20	1.81	.375	1.2	B101NXM
1/2"	2.45	3.71	2.66	1.22	1.20	1.81	.500	1.2	C101NXM
3/4"	2.69	5.07	3.09	1.34	1.43	2.20	.750	1.4	D101NXM
1"	3.14	5.07	3.28	1.57	1.59	2.50	1.00	2.8	E101NXM
1-1/4"	3.63	5.07	3.78	1.82	2.03	3.18	1.25	3.7	F101NXM
1-1/2"	4.03	5.07	4.10	2.02	2.29	3.63	1.50	5.8	G101NXM
2"	4.58	5.07	4.45	2.29	2.58	4.24	2.00	8.8	H101NXM
3"	6.64	9.50	5.72	3.32	3.73	6.14	3.00	12.5	J101NXM

101 VALVE FEATURES

- Full port nickel plated brass body and ball.
- PTFE seats and seals.
- NPT threaded end connection.
- Temperature range: -4°F to 300°F.
- Pressure range: 29 inHg vacuum to 900 PSI: 3/8" to 1/2",
29 inHg vacuum to 700 PSI: 3/4" to 1",
29 inHg vacuum to 525 PSI: 1-1/4" to 1-1/2",
29 inHg vacuum to 400 PSI: 2",
29 inHg vacuum to 350 PSI: 2-1/2" to 3".

101NXODA Series

Nickel plated brass 2-way full port ball valve with double acting pneumatic actuator
(Threaded end connection, 2 piece body, actuators are sized for 150 PSI media line pressure)



DIMENSIONS, WEIGHTS & SPECIFICATIONS

Size	A	B	C	D	E	F	G	H	I	Actuator	Wt. (lbs.)	Model No.
80 psig Minimum Actuator Air Supply = 8D												
3/8"	2.45	2.76	3.47	1.70	1.20	1.81	.59	.85	.375	PD008	1.8	B101NX08D
1/2"	2.45	2.76	3.47	1.70	1.20	1.81	.59	.85	.500	PD008	1.8	C101NX08D
3/4"	2.69	4.53	4.28	1.89	1.43	2.20	.79	.95	.750	PD015	3.1	D101NX08D
1"	3.14	4.53	4.43	1.89	1.59	2.50	.79	.95	1.00	PD015	4.4	E101NX08D
1-1/4"	3.63	5.12	5.18	2.16	2.03	3.18	.79	1.08	1.25	PD030	5.9	F101NX08D
1-1/2"	4.03	5.12	5.43	2.16	2.29	3.63	.79	1.08	1.50	PD030	8.0	G101NX08D
2"	4.58	5.67	5.91	2.36	2.58	4.24	.79	1.18	2.00	PD045	11.6	H101NX08D
3"	6.64	7.24	8.29	3.15	3.73	6.14	1.18	1.57	3.00	PD120	18.7	J101NX08D
60 psig Minimum Actuator Air Supply = 6D												
3/8"	2.45	4.53	3.47	1.89	1.20	1.81	.59	.95	.375	PD015	2.8	B101NX06D
1/2"	2.45	4.53	3.47	1.89	1.20	1.81	.59	.95	.500	PD015	2.8	C101NX06D
3/4"	2.69	5.12	4.28	2.16	1.43	2.20	.79	1.08	.750	PD030	3.7	D101NX06D
1"	3.14	5.12	4.43	2.16	1.59	2.50	.79	1.08	1.00	PD030	5.0	E101NX06D
1-1/4"	3.63	5.12	5.18	2.16	2.03	3.18	.79	1.08	1.25	PD030	6.0	F101NX06D
1-1/2"	4.03	5.12	5.43	2.16	2.29	3.63	.79	1.08	1.50	PD030	8.0	G101NX06D
2"	4.58	5.98	5.91	2.56	2.58	4.24	.79	1.28	2.00	PD060	12.2	H101NX06D
3"	6.64	8.35	8.29	3.54	3.73	6.14	1.18	1.77	3.00	PD180	20.0	J101NX06D

101 VALVE FEATURES

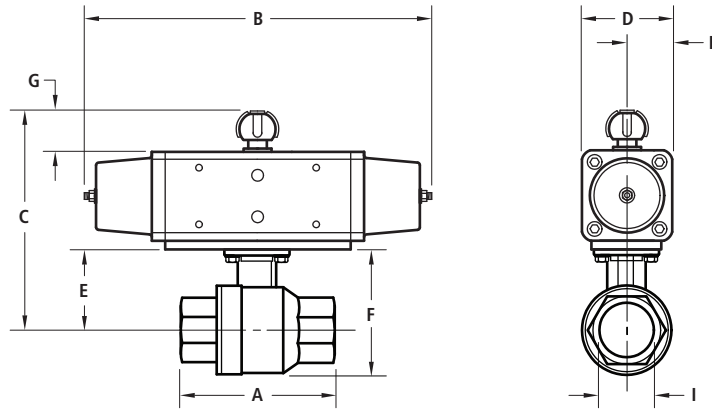
- Full port nickel plated brass body and ball.
- PTFE seats and seals.
- NPT threaded end connection.
- Temperature range: -4°F to 300°F.
- Pressure range: 29 inHg vacuum to 900 PSI: 3/8" to 1/2",
29 inHg vacuum to 700 PSI: 3/4" to 1",
29 inHg vacuum to 525 PSI: 1-1/4" to 1-1/2",
29 inHg vacuum to 400 PSI: 2",
29 inHg vacuum to 350 PSI: 2-1/2" to 3".

PNEUMATIC ACTUATOR FEATURES

- O Series double acting pneumatic actuator.
- Corrosion resistant coating.
- NAMUR solenoid mounting pad, ISO 5211 mounting standard.
- Visual position indicators.
- High duty cycle.
- Permanent lubrication.
- Temperature range: -4°F to 175°F.

101NXOSR Series

Nickel plated brass 2-way full port ball valve with spring return pneumatic actuator
(Threaded end connection, 2 piece body, actuators are sized for 150 PSI media line pressure)



DIMENSIONS, WEIGHTS & SPECIFICATIONS

Size	A	B	C	D	E	F	G	H	I	Actuator	Wt. (lbs.)	Model No.
80 psig Minimum Actuator Air Supply = 85												
3/8"	2.45	8.71	4.43	2.17	1.20	1.81	.59	1.08	.375	PS015	4.1	B101NX08S
1/2"	2.45	8.71	4.43	2.17	1.20	1.81	.59	1.08	.500	PS015	4.1	C101NX08S
3/4"	2.69	8.71	4.66	2.17	1.43	2.20	.79	1.08	.750	PS015	4.3	D101NX08S
1"	3.14	8.71	4.81	2.17	1.59	2.50	.79	1.08	1.00	PS015	5.7	E101NX08S
1-1/4"	3.63	9.45	5.57	2.56	2.03	3.18	.79	1.28	1.25	PS030	8.1	F101NX08S
1-1/2"	4.03	9.45	5.82	2.56	2.29	3.63	.79	1.28	1.50	PS030	10.2	G101NX08S
2"	4.58	11.58	6.42	2.83	2.58	4.24	.79	1.41	2.00	PS045	14.1	H101NX08S
3"	6.64	14.65	9.08	3.94	3.73	6.14	1.18	1.97	3.00	PS120	27.2	J101NX08S
60 psig Minimum Actuator Air Supply = 65												
3/8"	2.45	8.71	4.43	2.17	1.20	1.81	.59	1.08	.375	PS015	4.1	B101NX06S
1/2"	2.45	8.71	4.43	2.17	1.20	1.81	.59	1.08	.500	PS015	4.1	C101NX06S
3/4"	2.69	9.45	4.66	2.56	1.43	2.20	.79	1.28	.750	PS030	5.9	D101NX06S
1"	3.14	9.45	4.81	2.56	1.59	2.50	.79	1.28	1.00	PS030	7.2	E101NX06S
1-1/4"	3.63	9.45	5.57	2.56	2.03	3.18	.79	1.28	1.25	PS030	8.1	F101NX06S
1-1/2"	4.03	9.45	5.82	2.56	2.29	3.63	.79	1.28	1.50	PS030	10.2	G101NX06S
2"	4.58	12.60	6.42	3.15	2.58	4.24	.79	1.57	2.00	PS060	16.5	H101NX06S
3"	6.64	17.18	9.08	4.41	3.73	6.14	1.18	2.20	3.00	PS180	33.2	J101NX06S

101 VALVE FEATURES

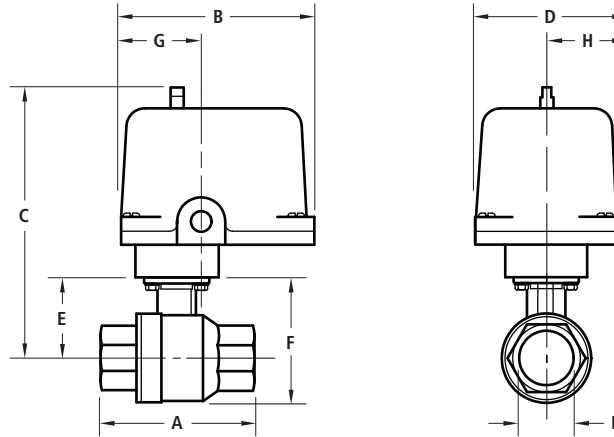
- Full port nickel plated brass body and ball.
- PTFE seats and seals.
- NPT threaded end connection.
- Temperature range: -4°F to 300°F.
- Pressure range: 29 inHg vacuum to 900 PSI: 3/8" to 1/2",
29 inHg vacuum to 700 PSI: 3/4" to 1",
29 inHg vacuum to 525 PSI: 1-1/4" to 1-1/2",
29 inHg vacuum to 400 PSI: 2",
29 inHg vacuum to 350 PSI: 2-1/2" to 3".

PNEUMATIC ACTUATOR FEATURES

- O Series spring return pneumatic actuator.
- Corrosion resistant coating.
- NAMUR solenoid mounting pad, ISO 5211 mounting standard.
- Visual position indicators.
- High duty cycle.
- Permanent lubrication.
- Temperature range: -4°F to 175°F.

101NXR4 Series

Nickel plated brass 2-way full port ball valve with electric actuator, NEMA 4, 4X
(Threaded end connection, 2 piece body, actuators are sized for 150 PSI media line pressure)



DIMENSIONS, WEIGHTS & SPECIFICATIONS

Size	A	B	C	D	E	F	G	H	I	Actuator	Wt. (lbs.)	Model No.
3/8"	2.45	5.95	7.27	4.40	1.20	1.81	2.48	2.20	.375	R150 (5 sec.)	5.1	B101NXR4⊙
1/2"	2.45	5.95	7.27	4.40	1.20	1.81	2.48	2.20	.500	R150 (5 sec.)	5.2	C101NXR4⊙
3/4"	2.69	5.95	7.50	4.40	1.43	2.20	2.48	2.20	.750	R150 (5 sec.)	5.4	D101NXR4⊙
1"	3.14	5.95	7.66	4.40	1.59	2.50	2.48	2.20	1.00	R150 (5 sec.)	6.8	E101NXR4⊙
1-1/4"	3.63	5.95	8.08	4.40	2.03	3.18	2.48	2.20	1.25	R300 (9 sec.)	9.7	F101NXR4⊙
1-1/2"	4.03	5.95	8.33	4.40	2.29	3.63	2.48	2.20	1.50	R300 (9 sec.)	11.8	G101NXR4⊙
2"	4.58	5.95	8.63	4.40	2.58	4.24	2.48	2.20	2.00	R300 (9 sec.)	14.8	H101NXR4⊙
3"	See V4 Series											

⊙ Voltage: A = 120 VAC; B = 24 VDC; F = 12 VDC.

101 VALVE FEATURES

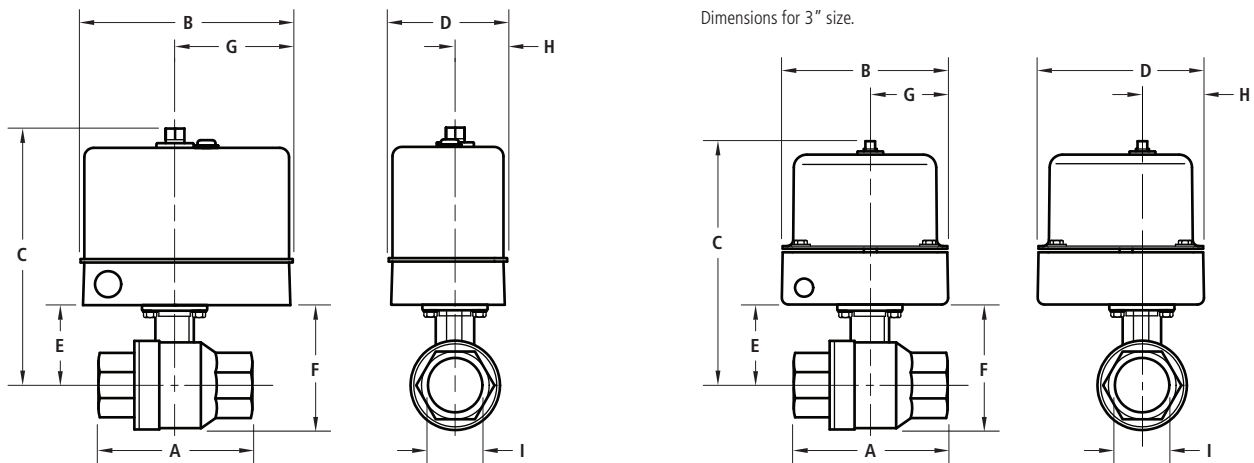
- Full port nickel plated brass body and ball.
- PTFE seats and seals.
- NPT threaded end connection.
- Temperature range: -4°F to 300°F.
- Pressure range: 29 inHg vacuum to 900 PSI: 3/8" to 1/2",
29 inHg vacuum to 700 PSI: 3/4" to 1",
29 inHg vacuum to 525 PSI: 1-1/4" to 1-1/2",
29 inHg vacuum to 400 PSI: 2",
29 inHg vacuum to 350 PSI: 2-1/2" to 3".

ELECTRIC ACTUATOR FEATURES

- R Series electric actuator.
- NEMA 4, 4X.
- Voltages available: 120 VAC, 12 VDC, 24 VDC.
- Duty cycle: 25% at 120 VAC, 100% at DC units.
- ISO 5211 universal mounting.
- Manual override.
- Permanent lubrication.
- Visual position indicator.
- Temperature range: 0°F to 150°F.

101NXV4 Series

Nickel plated brass 2-way full port ball valve with electric actuator, NEMA 4, 4X
(Threaded end connection, 2 piece body, actuators are sized for 150 PSI media line pressure)



DIMENSIONS, WEIGHTS & SPECIFICATIONS

Size	A	B	C	D	E	F	G	H	I	Actuator	Wt. (lbs.)	Model No.
3/8"	2.45	5.50	5.43	3.00	1.20	1.81	3.06	1.38	.375	EV1S1V1	6.2	B101NXV4⊙
1/2"	2.45	5.50	5.43	3.00	1.20	1.81	3.06	1.38	.500	EV1S1V1	6.2	C101NXV4⊙
3/4"	2.69	5.50	5.66	3.00	1.43	2.20	3.06	1.38	.750	EV1S1V1	6.4	D101NXV4⊙
1"	3.14	5.50	5.81	3.00	1.59	2.50	3.06	1.38	1.00	EV1S1V1	7.8	E101NXV4⊙
1-1/4"	3.63	5.50	6.26	3.00	2.03	3.18	3.06	1.38	1.25	EV3S2V1	8.7	F101NXV4⊙
1-1/2"	4.03	5.50	6.51	3.00	2.29	3.63	3.06	1.38	1.50	EV3S2V1	10.8	G101NXV4⊙
2"	4.58	5.50	6.81	3.00	2.58	4.24	3.06	1.38	2.00	EV3S2V1	13.8	H101NXV4⊙
3"	6.64	6.43	10.05	6.43	3.73	6.14	3.01	2.36	3.00	NV1KS2V1	23.5	J101NXV4⊙

⊙ Voltage: A = 120 VAC; B = 24 VDC; C = 220 VAC; E = 24 VAC; F = 12 VDC.

101 VALVE FEATURES

- Full port nickel plated brass body and ball.
- PTFE seats and seals.
- NPT threaded end connection.
- Temperature range: -4°F to 300°F.
- Pressure range: 29 inHg vacuum to 900 PSI: 3/8" to 1/2",
29 inHg vacuum to 700 PSI: 3/4" to 1",
29 inHg vacuum to 525 PSI: 1-1/4" to 1-1/2",
29 inHg vacuum to 400 PSI: 2",
29 inHg vacuum to 350 PSI: 2-1/2" to 3".

ELECTRIC ACTUATOR FEATURES

- V Series electric actuator.
- NEMA 4, 4X.
- Voltages available: 120 VAC, 220 VAC, 24 VAC, 12 VDC, 24 VDC.
- Duty cycle: 25% at 120 VAC (EV1), 75% at 120 VAC (EV3, NV6),
100% at DC units.
- ISO 5211 universal mounting.
- Manual override.
- Permanent lubrication.
- Visual position indicator.
- Temperature range: 0°F to 160°F.