

## 36 Series

### Stainless Steel 2-way Full Port Ball Valve

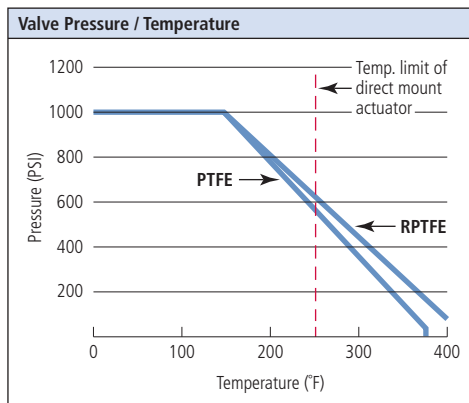
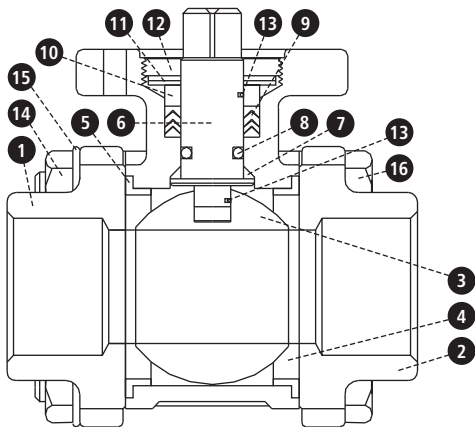


The 36 is a full port, 316 stainless steel, 3 piece ball valve. It is available with threaded ends (36N), socket weld ends (36S), or quick clamp ends with cavity filler seats (36CPF). It can be equipped with a manual handle or with pneumatic or electric actuators.

A full range of accessory items are available including limit switches, solenoid valves, positioners and manual override devices.

#### FEATURES

- Silicone free.
- Full port for unobstructed flow.
- Live-loaded pyramidal stem seal design.
- Quick quarter-turn rotation.
- High cycle stem design.
- Integrated mounting pad for actuators.
- Compact assembly.
- Complete line of accessories.



#### ACTUATOR CONFIGURATIONS

- Electric.
- Pneumatic (spring return).
- Pneumatic (double acting).
- Manual handle.

#### PRESSURE RANGE

29 inHg vacuum to 1000 PSI

#### TEMPERATURE RANGE

-30°F to 380°F

#### TYPICAL APPLICATIONS

- Air drying equipment.
- Sterilizers and autoclaves.
- Pollution control equipment.
- Process control applications.
- Laundry equipment.
- Textile dyeing and drying.
- Bottling and dispensing.
- Ink and paint dispensing.
- Industrial compressors.
- Chemical process industry.
- Pharmaceutical chemical industry.

#### MATERIALS OF CONSTRUCTION

Part	Qty.	Description	Standard Material
1	1	Body	1.4408 or 1.0619
2	2	End Cap	1.4408 or 1.0619
3	1	Ball	316 Stainless Steel
4	2	Seat	RPTFE (PTFE upon request)
5	2	Body Gasket	PTFE
6	1	Stem	316 Stainless Steel
7	1	Pyramidal Stem Seal	PTFE
8	1	O-Ring	Viton®
9	varies	V-Ring Stem Packing	PTFE
10	1	Gland	304 Stainless Steel
11	2	Belleville Washer	301 Stainless Steel
12	1	Disc Plate	304 Stainless Steel
13	2	Anti-Static Device	316 Stainless Steel
14	varies	Body Nut	ISO-3506 (A2-70)
15	varies	Body Washer	ISO-3506 (A2-70)
16	varies	Body Bolt	ISO-3506 (A2-70)

#### CV FACTORS

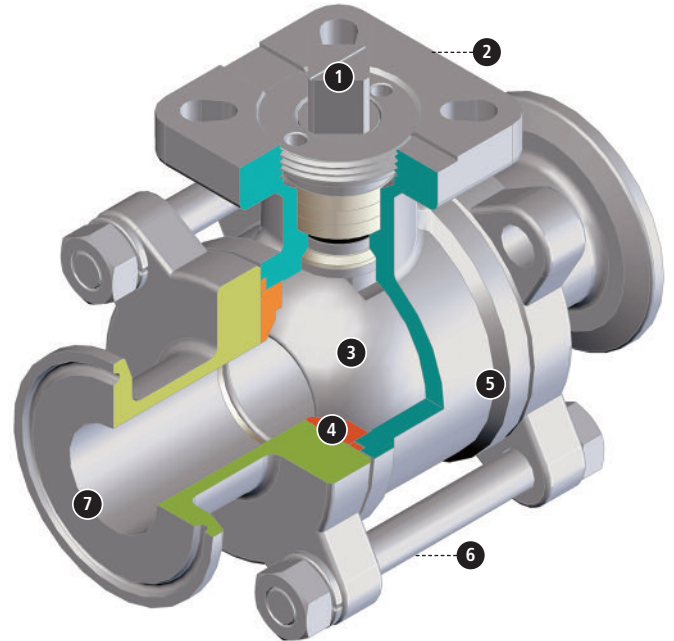
Size	CV (N & S)	CV (C)
1/4"	13	-
3/8"	13	-
1/2"	23	13
3/4"	70	23
1"	116	88
1-1/4"	151	-
1-1/2"	197	168
2"	325	290
3"	901	-

# 36 Series

## Stainless Steel 2-way Full Port Ball Valve (Cutaway View)

### PARTS & FEATURES

- 1. Stem:** The 36 sturdy blow-out proof stem is designed for direct mounting of actuator that meets ISO5211 specifications. Stem top is drilled for optional installation of handle for manual operation.
- 2. Mounting Pad:** Two sets of ISO5211 mounting patterns are available to accommodate a great range of actuators. Machined flat surface ensures correct alignment of actuator to the stem top for minimum side loading during operation.
- 3. Ball:** Precision machined and polished to a mirror finish for bubble tight shut-off. Each Ball is designed to have minimum torque and provides high cycle life.
- 4. Seat and Gasket Set:** The 36 ball seat is set inside our heavy-duty gasket ensuring sealing integrity of the valve body. Elasticity of the seat-gasket union enables a bubble tight shut-off at every level of rated pressure range.
- 5. Body:** Three-piece swing out design enables in line maintenance of the ball valve.
- 6. Body Bolting:** Heavy body bolts made of 304 S/S is standard.
- 7. End Connections:** Various end connections are available (NPT, socket weld, and tri-clamp).

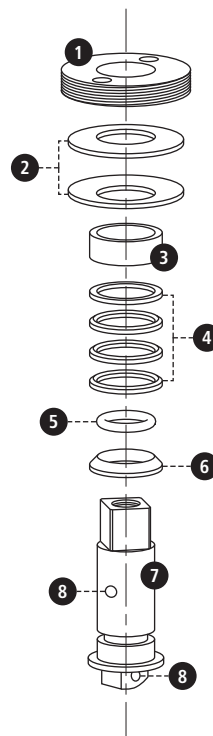


### HIGH CYCLE STEM DESIGN FEATURES

- **Live Loading Stem Sealing (Disc Plate and Belleville Washer):** The disc plate uniformly compresses the pair of Belleville washers to store energy for live loading. Live loading extends the time required between maintenance. During high cycle operation, the system works independently to maintain sealing integrity.
- **Independent Stem Rotation:** The rotational movement of the stem is independent of disc plate and Belleville washers (the live loading system). The action of stem rotation does not disrupt the sealing tightness of the disc plate.
- **Anti-Static Device:** To eliminate the possibility of static electrical charges within the valve, two grounding connections are set in the stem to ensure electrical continuity for the entire ball valve.

Three stages of stem sealing for effective control of stem leakage:

- **Pyramidal Body and Stem Seal (1st Stage):** Internal pressure of the valve pushes the pyramidal stem sealing upward. Because of its shape, the sealing expands to fill all the air pockets that might become a potential leakage path in the lower stem area.
- **Viton® O-Ring (2nd Stage):** The elastic nature of the Viton® O-Ring serves as an effective sealing for gaseous medium that might escape the 1st stage sealing.
- **V-Ring Stem Packing (3rd Stage):** Live loading action of the Bellville washer expands the V-Ring stem packing, filling all the air pockets in the outer stem area. It effectively seals internal media within as well as keeping external media from entering the system.

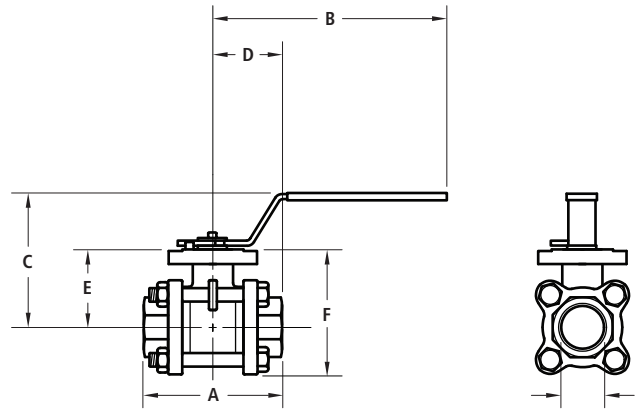


### PARTS

1. Disc Plate
2. Belleville Washers
3. Gland
4. V-Ring Stem Packing
5. O-Ring
6. Pyramidal Stem Seal
7. Stem
8. Anti-Static Device

## 36\_RXM Series

Stainless steel 2-way full port ball valve with manual handle  
(Threaded ends (36N) or socket weld ends (36S))



### DIMENSIONS, WEIGHTS & SPECIFICATIONS

Size	A	B	C	D	E	F	I	Wt. (lbs.)	Model No.
1/4"	2.56	5.14	3.00	1.28	1.65	2.42	.453	1.2	A36 $\odot$ RXM
3/8"	2.56	5.14	3.00	1.28	1.65	2.42	.500	1.2	B36 $\odot$ RXM
1/2"	2.95	5.14	3.00	1.47	1.65	2.42	.591	1.2	C36 $\odot$ RXM
3/4"	3.15	5.14	3.16	1.57	1.77	2.65	.787	1.4	D36 $\odot$ RXM
1"	3.54	7.50	3.75	1.77	2.05	3.13	.984	2.8	E36 $\odot$ RXM
1-1/4"	4.33	7.50	3.75	2.16	2.28	3.55	1.260	3.7	F36 $\odot$ RXM
1-1/2"	4.72	8.10	4.54	2.36	2.68	4.25	1.575	5.8	G36 $\odot$ RXM
2"	5.51	8.10	4.54	2.75	3.03	4.92	1.970	8.8	H36 $\odot$ RXM
3"	8.07	11.85	6.72	4.03	4.37	7.25	3.152	12.5	J36 $\odot$ RXM

$\odot$  End Connections: **N** = Threaded; **S** = Socket weld.

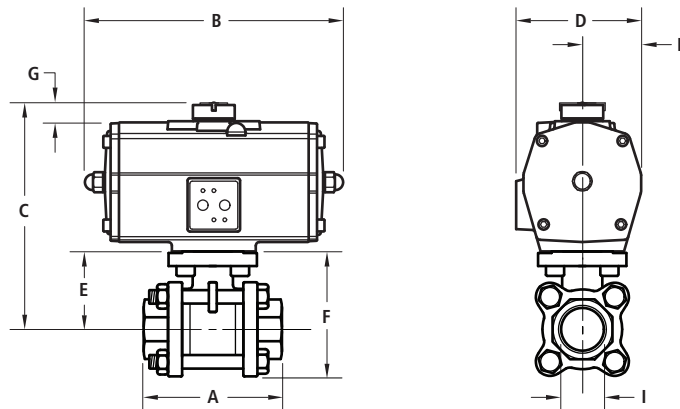
### 36 VALVE FEATURES

- Full port 316 stainless steel body and ball.
- PTFE & RPTFE seats and seals, PTFE stem seals.
- Investment cast body.
- Live loaded pyramidal stem seals.
- 3 piece design with threaded or socket weld ends.
- Temperature range: -30°F to 380°F.
- Pressure range: 29 inHg vacuum to 1000 PSI.

## 36\_RXEDA Series

Stainless steel 2-way full port ball valve with double acting pneumatic actuator

(Threaded ends (36N) or socket weld ends (36S), actuators are sized for 300 PSI pressure differential)



### DIMENSIONS, WEIGHTS & SPECIFICATIONS

Size	A	B	C	D	E	F	G	H	I	Actuator	Wt. (lbs.)	Model No.
<b>80 psig Minimum Actuator Air Supply = 8D</b>												
1/4"	2.56	6.26	5.59	3.26	1.65	2.62	.79	1.46	.453	ED25	4.0	A36⊙RXE8D
3/8"	2.56	6.26	5.59	3.26	1.65	2.62	.79	1.46	.500	ED25	4.0	B36⊙RXE8D
1/2"	2.95	6.26	5.59	3.26	1.65	2.62	.79	1.46	.591	ED25	4.1	C36⊙RXE8D
3/4"	3.15	6.26	5.71	3.26	1.77	2.82	.79	1.46	.787	ED25	4.3	D36⊙RXE8D
1"	3.54	6.26	5.99	3.26	2.05	3.26	.79	1.46	.984	ED25	5.7	E36⊙RXE8D
1-1/4"	4.33	7.09	6.73	3.78	2.28	3.70	.79	1.70	1.260	ED40	7.7	F36⊙RXE8D
1-1/2"	4.72	7.09	7.13	3.78	2.68	4.30	.79	1.70	1.575	ED40	9.8	G36⊙RXE8D
2"	5.51	7.83	7.95	4.19	3.03	4.98	.79	1.93	1.970	ED65	14.1	H36⊙RXE8D
3"	8.07	11.14	10.79	5.39	4.37	7.75	.79	2.52	3.152	ED200	25.3	J36⊙RXE8D
<b>60 psig Minimum Actuator Air Supply = 6D</b>												
1/4"	2.56	6.26	5.59	3.26	1.65	2.62	.79	1.46	.453	ED25	4.0	A36⊙RXE6D
3/8"	2.56	6.26	5.59	3.26	1.65	2.62	.79	1.46	.500	ED25	4.0	B36⊙RXE6D
1/2"	2.95	6.26	5.59	3.26	1.65	2.62	.79	1.46	.591	ED25	4.1	C36⊙RXE6D
3/4"	3.15	6.26	5.71	3.26	1.77	2.82	.79	1.46	.787	ED25	4.3	D36⊙RXE6D
1"	3.54	6.26	6.50	3.78	2.05	3.26	.79	1.70	.984	ED40	6.8	E36⊙RXE6D
1-1/4"	4.33	7.09	6.73	3.78	2.28	3.70	.79	1.70	1.260	ED40	7.7	F36⊙RXE6D
1-1/2"	4.72	7.83	7.60	4.19	2.68	4.30	.79	1.93	1.575	ED65	11.0	G36⊙RXE6D
2"	5.51	8.70	8.43	4.60	3.03	4.98	.79	2.12	1.970	ED100	15.6	H36⊙RXE6D
3"	8.07	11.14	10.79	5.39	4.37	7.75	.79	2.52	3.152	ED200	25.3	J36⊙RXE6D

⊙ End Connections: **N** = Threaded; **S** = Socket weld.

### 36 VALVE FEATURES

- Full port 316 stainless steel body and ball.
- PTFE & RPTFE seats and seals, PTFE stem seals.
- Investment cast body.
- Live loaded pyramidal stem seals.
- 3 piece design with threaded or socket weld ends.
- Temperature range: -30°F to 380°F.
- Pressure range: 29 inHg vacuum to 1000 PSI.

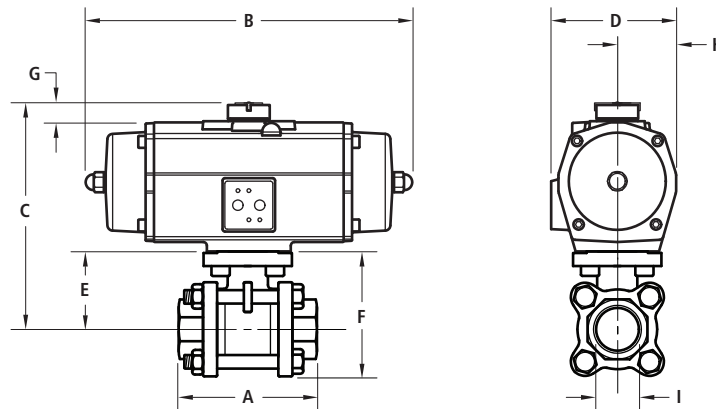
### PNEUMATIC ACTUATOR FEATURES

- E Series double acting rack and pinion actuator.
- Corrosion resistant coating.
- NAMUR solenoid mounting pad, ISO 5211 mounting standard.
- Visual position indicators.
- High duty cycle.
- Permanent lubrication.
- Temperature range: -4°F to 175°F.

# 36\_RXESR Series

Stainless steel 2-way full port ball valve with spring return pneumatic actuator

(Threaded ends (36N) or socket weld ends (36S), actuators are sized for 300 PSI pressure differential)



## DIMENSIONS, WEIGHTS & SPECIFICATIONS

Size	A	B	C	D	E	F	G	H	I	Actuator	Wt. (lbs.)	Model No.
<b>80 psig Minimum Actuator Air Supply = 85</b>												
1/4"	2.56	6.77	5.59	3.26	1.65	2.62	.79	1.46	.453	ES25-4	4.9	A36⊙RXE8S
3/8"	2.56	6.77	5.59	3.26	1.65	2.62	.79	1.46	.500	ES25-4	4.9	B36⊙RXE8S
1/2"	2.95	6.77	5.59	3.26	1.65	2.62	.79	1.46	.591	ES25-4	4.9	C36⊙RXE8S
3/4"	3.15	6.77	5.71	3.78	1.77	2.82	.79	1.46	.787	ES25-4	5.1	D36⊙RXE8S
1"	3.54	8.03	6.50	3.78	2.05	3.26	.79	1.70	.984	ES40-4	8.0	E36⊙RXE8S
1-1/4"	4.33	8.03	6.73	3.78	2.28	3.70	.79	1.70	1.260	ES40-4	9.0	F36⊙RXE8S
1-1/2"	4.72	9.80	7.60	4.19	2.68	4.30	.79	1.93	1.575	ES65-4	13.7	G36⊙RXE8S
2"	5.51	14.17	9.45	5.39	3.03	4.98	.79	2.52	1.970	ES200-4	28.9	H36⊙RXE8S
3"	8.07	15.24	12.29	7.12	4.37	7.75	.79	3.41	3.152	ES350-4	49.8	J36⊙RXE8S
<b>60 psig Minimum Actuator Air Supply = 65</b>												
1/4"	2.56	5.12	5.59	3.26	1.65	2.62	.79	1.46	.453	ES25-4	4.9	A36⊙RXE6S
3/8"	2.56	5.12	5.59	3.26	1.65	2.62	.79	1.46	.500	ES25-4	4.9	B36⊙RXE6S
1/2"	2.95	5.12	5.59	3.26	1.65	2.62	.79	1.46	.591	ES25-4	4.9	C36⊙RXE6S
3/4"	3.15	8.03	6.22	3.78	1.77	2.82	.79	1.70	.787	ES40-4	6.8	D36⊙RXE6S
1"	3.54	9.80	6.97	4.19	2.05	3.26	.79	1.93	.984	ES65-4	10.7	E36⊙RXE6S
1-1/4"	4.33	9.80	7.20	4.19	2.28	3.70	.79	1.93	1.260	ES65-4	11.6	F36⊙RXE6S
1-1/2"	4.72	10.51	8.12	4.60	2.68	4.30	.79	2.12	1.575	ES100-4	15.9	G36⊙RXE6S
2"	5.51	14.17	9.45	5.39	3.03	4.98	.79	2.52	1.970	ES200-4	28.9	H36⊙RXE6S
3"	8.07	15.24	12.29	7.12	4.37	7.75	.79	3.41	3.152	ES350-4	49.8	J36⊙RXE6S

⊙ End Connections: **N** = Threaded; **S** = Socket weld.

### 36 VALVE FEATURES

- Full port 316 stainless steel body and ball.
- PTFE & RPTFE seats and seals, PTFE stem seals.
- Investment cast body.
- Live loaded pyramidal stem seals.
- 3 piece design with threaded or socket weld ends.
- Temperature range: -30°F to 380°F.
- Pressure range: 29 inHg vacuum to 1000 PSI.

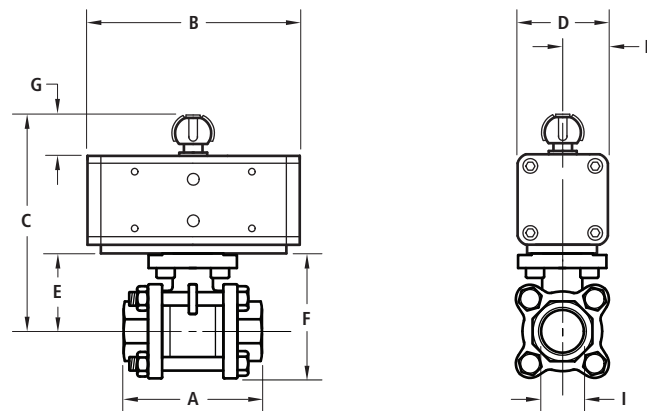
### PNEUMATIC ACTUATOR FEATURES

- E Series spring return rack and pinion actuator.
- Corrosion resistant coating.
- NAMUR solenoid mounting pad, ISO 5211 mounting standard.
- Visual position indicators.
- High duty cycle.
- Permanent lubrication.
- Temperature range: -4°F to 175°F.

## 36\_RXODA Series

Stainless steel 2-way full port ball valve with double acting pneumatic actuator

(Threaded ends (36N) or socket weld ends (36S), actuators are sized for 300 PSI pressure differential)



### DIMENSIONS, WEIGHTS & SPECIFICATIONS

Size	A	B	C	D	E	F	G	H	I	Actuator	Wt. (lbs.)	Model No.
<b>80 psig Minimum Actuator Air Supply = 8D</b>												
1/4"	2.56	5.12	4.80	2.16	1.65	2.62	.79	1.08	.453	PD030	3.3	A36 $\odot$ RX08D
3/8"	2.56	5.12	4.80	2.16	1.65	2.62	.79	1.08	.500	PD030	3.3	B36 $\odot$ RX08D
1/2"	2.95	5.12	4.80	2.16	1.65	2.62	.79	1.08	.591	PD030	3.4	C36 $\odot$ RX08D
3/4"	3.15	5.12	5.31	2.16	1.77	2.82	.79	1.08	.787	PD030	3.7	D36 $\odot$ RX08D
1"	3.54	5.67	5.42	2.36	2.05	3.26	.79	1.18	.984	PD045	5.5	E36 $\odot$ RX08D
1-1/4"	4.33	5.67	5.65	2.36	2.28	3.70	.79	1.18	1.260	PD045	6.5	F36 $\odot$ RX08D
1-1/2"	4.72	6.65	6.52	2.83	2.68	4.30	.79	1.41	1.575	PD090	9.8	G36 $\odot$ RX08D
2"	5.51	6.65	6.87	2.83	3.03	4.98	.79	1.41	1.970	PD090	12.9	H36 $\odot$ RX08D
3"	8.07	8.35	9.33	3.54	4.37	7.75	1.18	1.77	3.152	PD180	20.0	J36 $\odot$ RX08D
<b>60 psig Minimum Actuator Air Supply = 6D</b>												
1/4"	2.56	5.12	4.80	2.16	1.65	2.62	.79	1.08	.453	PD030	3.3	A36 $\odot$ RX06D
3/8"	2.56	5.12	4.80	2.16	1.65	2.62	.79	1.08	.500	PD030	3.3	B36 $\odot$ RX06D
1/2"	2.95	5.12	4.80	2.16	1.65	2.62	.79	1.08	.591	PD030	3.4	C36 $\odot$ RX06D
3/4"	3.15	5.12	5.31	2.16	1.77	2.82	.79	1.08	.787	PD030	3.7	D36 $\odot$ RX06D
1"	3.54	5.67	5.42	2.36	2.05	3.26	.79	1.18	.984	PD045	5.5	E36 $\odot$ RX06D
1-1/4"	4.33	5.98	5.82	2.56	2.28	3.70	.79	1.28	1.260	PD060	7.1	F36 $\odot$ RX06D
1-1/2"	4.72	6.65	6.52	2.83	2.68	4.30	.79	1.41	1.575	PD090	9.8	G36 $\odot$ RX06D
2"	5.51	7.24	7.59	3.15	3.03	4.98	1.18	1.57	1.970	PD120	15.0	H36 $\odot$ RX06D
3"	8.07	9.53	9.72	3.94	4.37	7.75	1.18	1.97	3.152	PD240	24.2	J36 $\odot$ RX06D

⊙ End Connections: **N** = Threaded; **S** = Socket weld.

### 36 VALVE FEATURES

- Full port 316 stainless steel body and ball.
- PTFE & RPTFE seats and seals, PTFE stem seals.
- Investment cast body.
- Live loaded pyramidal stem seals.
- 3 piece design with threaded or socket weld ends.
- Temperature range: -30°F to 380°F.
- Pressure range: 29 inHg vacuum to 1000 PSI.

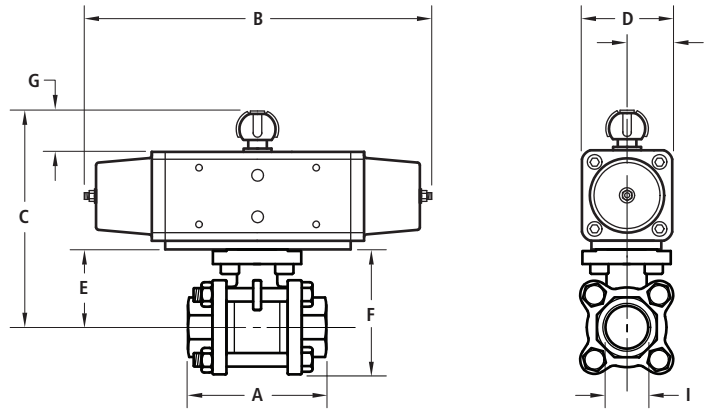
### PNEUMATIC ACTUATOR FEATURES

- O Series double acting pneumatic actuator.
- Corrosion resistant coating.
- NAMUR solenoid mounting pad, ISO 5211 mounting standard.
- Visual position indicators.
- High duty cycle.
- Permanent lubrication.
- Temperature range: -4°F to 175°F.

# 36\_RXOSR Series

Stainless steel 2-way full port ball valve with spring return pneumatic actuator

(Threaded ends (36N) or socket weld ends (36S), actuators are sized for 300 PSI pressure differential)



## DIMENSIONS, WEIGHTS & SPECIFICATIONS

Size	A	B	C	D	E	F	G	H	I	Actuator	Wt. (lbs.)	Model No.
<b>80 psig Minimum Actuator Air Supply = 85</b>												
1/4"	2.56	8.71	4.80	2.16	1.65	2.62	.79	1.08	.453	PS015	4.1	A36⊙RX08S
3/8"	2.56	8.71	4.80	2.16	1.65	2.62	.79	1.08	.500	PS015	4.1	B36⊙RX08S
1/2"	2.95	8.71	4.80	2.16	1.65	2.62	.79	1.08	.591	PS015	4.1	C36⊙RX08S
3/4"	3.15	9.45	5.31	2.56	1.77	2.82	.79	1.28	.787	PS030	5.9	D36⊙RX08S
1"	3.54	11.58	5.42	2.83	2.05	3.26	.79	1.41	.984	PS045	8.1	E36⊙RX08S
1-1/4"	4.33	11.58	5.65	2.83	2.28	3.70	1.18	1.41	1.260	PS045	9.0	F36⊙RX08S
1-1/2"	4.72	12.60	6.52	3.15	2.68	4.30	1.18	1.57	1.575	PS060	13.4	G36⊙RX08S
2"	5.51	14.06	6.78	3.54	3.03	4.98	1.18	1.77	1.970	PS090	18.9	H36⊙RX08S
3"	8.07	17.18	9.33	4.41	4.37	7.75	1.18	2.20	3.152	PS180	33.2	J36⊙RX08S
<b>60 psig Minimum Actuator Air Supply = 65</b>												
1/4"	2.56	9.45	4.80	2.56	1.65	2.62	.79	1.28	.453	PS030	5.5	A36⊙RX06S
3/8"	2.56	9.45	4.80	2.56	1.65	2.62	.79	1.28	.500	PS030	5.5	B36⊙RX06S
1/2"	2.95	9.45	4.80	2.56	1.65	2.62	.79	1.28	.591	PS030	5.6	C36⊙RX06S
3/4"	3.15	9.45	5.31	2.56	1.77	2.82	.79	1.28	.787	PS030	5.9	D36⊙RX06S
1"	3.54	12.60	5.42	3.15	2.05	3.26	1.18	1.57	.984	PS060	10.4	E36⊙RX06S
1-1/4"	4.33	12.60	5.82	3.15	2.28	3.70	1.18	1.57	1.260	PS060	11.4	F36⊙RX06S
1-1/2"	4.72	14.06	6.52	3.54	2.68	4.30	1.18	1.77	1.575	PS090	15.9	G36⊙RX06S
2"	5.51	14.65	7.59	3.94	3.03	4.98	1.18	1.97	1.970	PS120	23.5	H36⊙RX06S
3"	8.07	18.12	9.72	4.91	4.37	7.75	1.18	2.27	3.152	PS240	36.7	J36⊙RX06S

⊙ End Connections: **N** = Threaded; **S** = Socket weld.

### 36 VALVE FEATURES

- Full port 316 stainless steel body and ball.
- PTFE & RPTFE seats and seals, PTFE stem seals.
- Investment cast body.
- Live loaded pyramidal stem seals.
- 3 piece design with threaded or socket weld ends.
- Temperature range: -30°F to 380°F.
- Pressure range: 29 inHg vacuum to 1000 PSI.

### PNEUMATIC ACTUATOR FEATURES

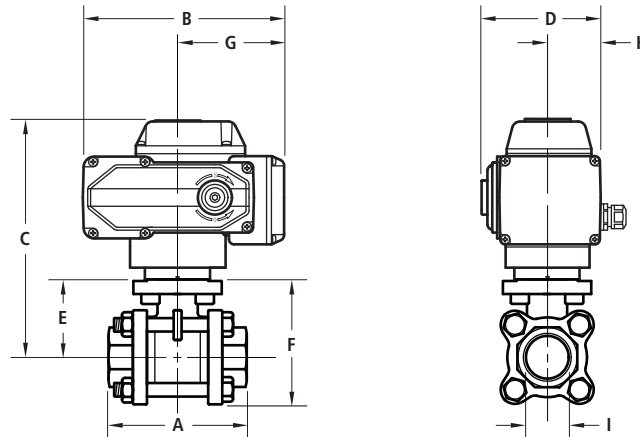
- O Series spring return pneumatic actuator.
- Corrosion resistant coating.
- NAMUR solenoid mounting pad, ISO 5211 mounting standard.
- Visual position indicators.
- High duty cycle.
- Permanent lubrication.
- Temperature range: -4°F to 175°F.



# 36\_RXK4 Series

## Stainless steel 2-way full port ball valve with electric actuator, NEMA 4, 4X

(Threaded ends (36N) or socket weld ends (36S), actuators are sized for 300 PSI pressure differential)



### DIMENSIONS, WEIGHTS & SPECIFICATIONS

Size	A	B	C	D	E	F	G	H	I	Actuator	Wt. (lbs.)	Model No.
1/4"	2.56	8.17	8.09	4.82	1.65	2.62	4.43	2.14	.453	KOUNIC10A-ISO	11.1	A36⊙RXK4A
3/8"	2.56	8.17	8.09	4.82	1.65	2.62	4.43	2.14	.500	KOUNIC10A-ISO	11.1	B36⊙RXK4A
1/2"	2.95	8.17	8.09	4.82	1.65	2.62	4.43	2.14	.591	KOUNIC10A-ISO	11.2	C36⊙RXK4A
3/4"	3.15	8.17	8.21	4.82	1.77	2.82	4.43	2.14	.787	KOUNIC10A-ISO	11.4	D36⊙RXK4A
1"	3.54	8.17	8.49	4.82	2.05	3.26	4.43	2.14	.984	KOUNIC10A-ISO	12.8	E36⊙RXK4A
1-1/4"	4.33	8.17	8.72	4.82	2.28	3.70	4.43	2.14	1.260	KOUNIC10A-ISO	13.7	F36⊙RXK4A
1-1/2"	4.72	8.17	9.12	4.82	2.68	4.30	4.43	2.14	1.575	KOUNIC10A-ISO	15.8	G36⊙RXK4A
2"	5.51	8.17	9.47	4.82	3.03	4.98	4.43	2.14	1.970	KOUNIC10A-ISO	18.8	H36⊙RXK4A
3"	8.07	10.10	11.65	6.16	4.37	7.75	5.25	2.46	3.152	KOUNIC20A-ISO	30.5	J36⊙RXK4A

⊙ End Connections: **N** = Threaded; **S** = Socket weld.

### 36 VALVE FEATURES

- Full port 316 stainless steel body and ball.
- PTFE & RPTFE seats and seals, PTFE stem seals.
- Investment cast body.
- Live loaded pyramidal stem seals.
- 3 piece design with threaded or socket weld ends.
- Temperature range: -30°F to 380°F.
- Pressure range: 29 inHg vacuum to 1000 PSI.

### ELECTRIC ACTUATOR FEATURES

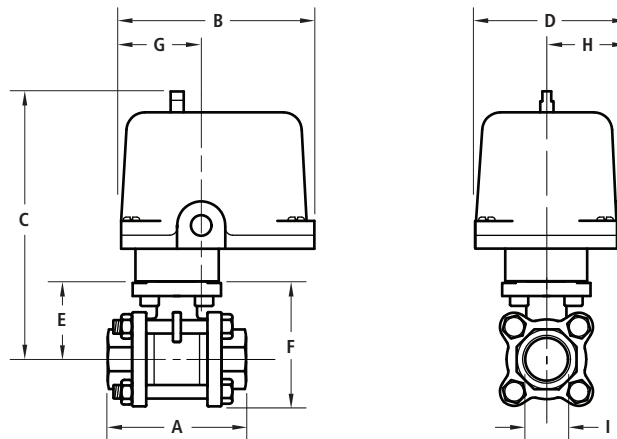
- K Series electric actuator.
- Most voltages available.
- Quarter turn: 0-90° rotation.
- NEMA 4/4X certified by UL labs.
- ISO 5211 mounting standard.
- Visual position indicators.
- Self-locking drive train.
- Mounts in any direction.
- 1/2" NPT conduit connection.
- CSA-NRTL/C and CE certified.
- Temperature range: 0°F to 160°F.



## 36\_RXR4 Series

Stainless steel 2-way full port ball valve with electric actuator, NEMA 4, 4X

(Threaded ends (36N) or socket weld ends (36S), actuators are sized for 300 PSI pressure differential)



### DIMENSIONS, WEIGHTS & SPECIFICATIONS

Size	A	B	C	D	E	F	G	H	I	Actuator	Wt. (lbs.)	Model No.
1/4"	2.56	5.95	7.70	4.40	1.65	2.62	2.48	2.20	.453	R150 (5 sec.)	5.1	A36⊙RXR4⊙
3/8"	2.56	5.95	7.70	4.40	1.65	2.62	2.48	2.20	.500	R150 (5 sec.)	5.1	B36⊙RXR4⊙
1/2"	2.95	5.95	7.70	4.40	1.65	2.62	2.48	2.20	.591	R150 (5 sec.)	5.2	C36⊙RXR4⊙
3/4"	3.15	5.95	7.82	4.40	1.77	2.82	2.48	2.20	.787	R150 (5 sec.)	5.4	D36⊙RXR4⊙
1"	3.54	5.95	8.10	4.40	2.05	3.26	2.48	2.20	.984	R300 (9 sec.)	8.8	E36⊙RXR4⊙
1-1/4"	4.33	5.95	8.33	4.40	2.28	3.70	2.48	2.20	1.260	R300 (9 sec.)	9.7	F36⊙RXR4⊙
1-1/2"	4.72	5.95	8.73	4.40	2.68	4.30	2.48	2.20	1.575	R600 (16 sec.)	11.8	G36⊙RXR4⊙
2"	5.51	5.95	9.08	4.40	3.03	4.98	2.48	2.20	1.970	R600 (16 sec.)	14.8	H36⊙RXR4⊙
3"	See K Series											

⊙ End Connections: **N** = Threaded; **S** = Socket weld. ⊙ Voltage: **A** = 120 VAC; **B** = 24 VDC; **F** = 12 VDC.

### 36 VALVE FEATURES

- Full port 316 stainless steel body and ball.
- PTFE & RPTFE seats and seals, PTFE stem seals.
- Investment cast body.
- Live loaded pyramidal stem seals.
- 3 piece design with threaded or socket weld ends.
- Temperature range: -30°F to 380°F.
- Pressure range: 29 inHg vacuum to 1000 PSI.

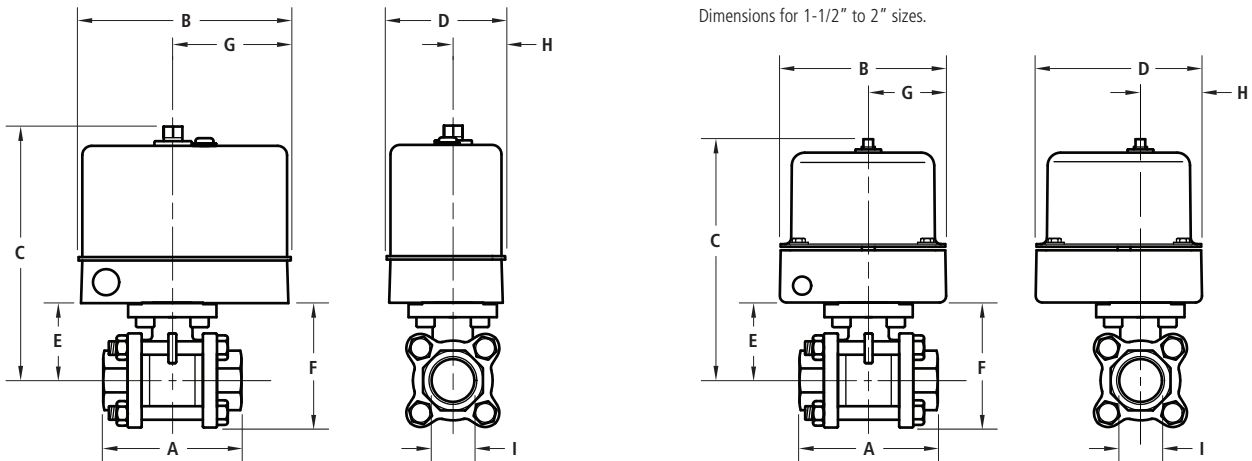
### ELECTRIC ACTUATOR FEATURES

- R Series electric actuator.
- NEMA 4, 4X.
- Voltages available: 120 VAC, 12 VDC, 24 VDC.
- Duty cycle: 25% at 120 VAC, 100% at DC units.
- ISO 5211 universal mounting.
- Manual override.
- Permanent lubrication.
- Visual position indicator.
- Temperature range: 0°F to 150°F.

## 36\_RXV4 Series

### Stainless steel 2-way full port ball valve with electric actuator, NEMA 4, 4X

(Threaded end connection, 2 piece body, actuators are sized for 300 PSI pressure differential)



#### DIMENSIONS, WEIGHTS & SPECIFICATIONS

Size	A	B	C	D	E	F	G	H	I	Actuator	Wt. (lbs.)	Model No.
1/4"	2.56	6.50	6.40	3.00	1.65	2.62	3.06	1.38	.453	EV1S1V1	6.2	A36ⓄRXV4Ⓞ
3/8"	2.56	6.50	6.40	3.00	1.65	2.62	3.06	1.38	.500	EV1S1V1	6.2	B36ⓄRXV4Ⓞ
1/2"	2.95	6.50	6.40	3.00	1.65	2.62	3.06	1.38	.591	EV1S1V1	6.2	C36ⓄRXV4Ⓞ
3/4"	3.15	6.50	6.52	3.00	1.77	2.82	3.06	1.38	.787	EV1S1V1	6.4	D36ⓄRXV4Ⓞ
1"	3.54	6.50	6.80	3.00	2.05	3.26	3.06	1.38	.984	EV3S2V1	7.8	E36ⓄRXV4Ⓞ
1-1/4"	4.33	6.50	7.03	3.00	2.28	3.70	3.06	1.38	1.260	EV3S2V1	8.7	F36ⓄRXV4Ⓞ
1-1/2"	4.72	6.43	9.00	6.43	2.68	4.30	3.01	2.36	1.575	NV6S2V1	16.8	G36ⓄRXV4Ⓞ
2"	5.51	6.43	9.35	6.43	3.03	4.98	3.01	2.36	1.970	NV6S2V1	19.8	H36ⓄRXV4Ⓞ
3"	See K Series											

Ⓞ End Connections: **N** = Threaded; **S** = Socket weld. Ⓞ Voltage: **A** = 120 VAC; **B** = 24 VDC; **F** = 12 VDC.

#### 36 VALVE FEATURES

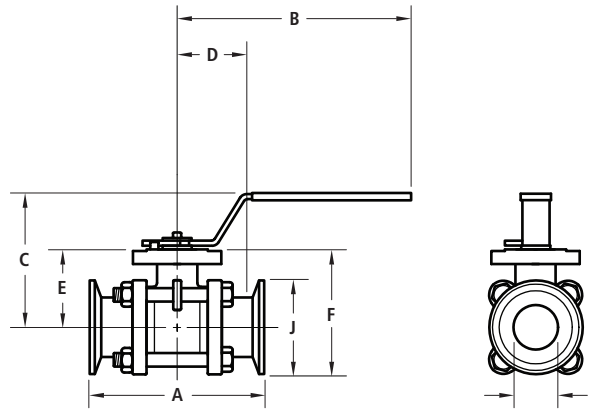
- Full port 316 stainless steel body and ball.
- PTFE & RPTFE seats and seals, PTFE stem seals.
- Investment cast body.
- Live loaded pyramidal stem seals.
- 3 piece design with threaded or socket weld ends.
- Temperature range: -30°F to 380°F.
- Pressure range: 29 inHg vacuum to 1000 PSI.

#### ELECTRIC ACTUATOR FEATURES

- V Series electric actuator.
- NEMA 4, 4X.
- Voltages available: 120 VAC, 220 VAC, 24 VAC, 12 VDC, 24 VDC.
- Duty cycle: 25% at 120 VAC (EV1), 75% at 120 VAC (EV3, NV6), 100% at DC units.
- ISO 5211 universal mounting.
- Manual override.
- Permanent lubrication.
- Visual position indicator.
- Temperature range: 0°F to 160°F.

# 36CPFRXM Series

Stainless steel 2-way full port ball valve with manual handle  
(Quick Clamp end connections and cavity filler seats)



## DIMENSIONS, WEIGHTS & SPECIFICATIONS

Size	A	B	C	D	E	F	I	J	Wt. (lbs.)	Model No.
1/2"	3.66	4.93	3.03	1.83	1.58	2.58	.378	.98	1.0	C36CPFRXM
3/4"	4.14	4.93	3.15	2.07	1.73	2.82	.626	.98	1.0	D36CPFRXM
1"	4.49	5.52	3.78	2.24	2.05	3.30	.875	1.98	3.0	E36CPFRXM
1-1/2"	4.89	7.88	4.57	2.49	2.68	4.32	1.375	1.98	6.0	G36CPFRXM
2"	5.71	7.88	4.88	2.85	3.03	5.03	1.872	2.52	10.0	H36CPFRXM
3"	7.60	9.85	7.13	3.80	4.33	7.40	2.872	3.54	28.0	J36CPFRXM
4"	9.30	9.85	7.88	4.65	5.44	8.95	3.837	4.68	44.0	K36CPFRXM

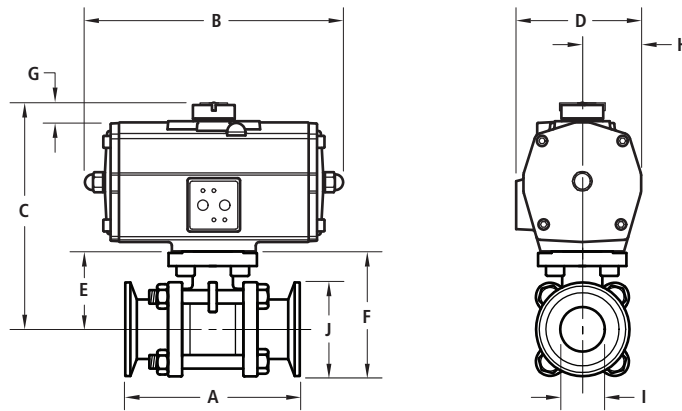
## 36 VALVE FEATURES

- Full port 316 stainless steel body and ball.
- PTFE seats, cavity fillers and stem seals.
- Investment cast body.
- Live loaded pyramidal stem seals.
- 3 piece design with Quick Clamp ends.
- Temperature range: -30°F to 380°F.
- Pressure range: 29 inHg vacuum to 1000 PSI.
- Surface Finish: 180 grit and Ra of 24u-in.

# 36CPFRXEDA Series

Stainless steel 2-way full port ball valve with double acting pneumatic actuator

(Quick Clamp end connections and cavity filler seats, actuators are sized for 300 PSI pressure differential)



## DIMENSIONS, WEIGHTS & SPECIFICATIONS

Size	A	B	C	D	E	F	G	H	I	J	Actuator	Wt. (lbs.)	Model No.
<b>80 PSI Minimum Actuator Air Supply = 8D</b>													
1/2"	3.66	6.26	5.52	3.26	1.58	2.58	.79	1.46	.378	.98	ED25	3.9	C36CPFRXE8D
3/4"	4.14	6.26	5.67	3.26	1.73	2.82	.79	1.46	.626	.98	ED25	3.9	D36CPFRXE8D
1"	4.49	7.83	6.97	4.19	2.05	3.30	.79	1.93	.875	1.98	ED65	8.3	E36CPFRXE8D
1-1/2"	4.89	7.83	7.60	4.19	2.68	4.32	.79	1.93	1.375	1.98	ED65	11.3	G36CPFRXE8D
2"	5.71	7.83	7.95	4.19	3.03	5.03	.79	1.93	1.875	2.52	ED65	15.3	H36CPFRXE8D
3"	7.56	11.14	10.75	5.39	4.33	7.40	.79	2.52	2.875	3.54	ED200	40.8	J36CPFRXE8D
4"	9.30	12.01	13.36	7.12	5.44	8.95	.79	3.41	3.837	4.68	ED350	66.9	K36CPFRXE8D
<b>60 PSI Minimum Actuator Air Supply = 6D</b>													
1/2"	3.66	6.26	5.52	3.26	1.58	2.58	.79	1.46	.378	.98	ED25	3.9	C36CPFRXE6D
3/4"	4.14	6.26	5.67	3.26	1.73	2.82	.79	1.46	.626	.98	ED25	3.9	D36CPFRXE6D
1"	4.49	7.83	6.97	4.19	2.05	3.30	.79	1.93	.875	1.98	ED65	8.3	E36CPFRXE6D
1-1/2"	4.89	8.70	8.12	4.60	2.68	4.32	.79	2.12	1.375	1.98	ED100	12.8	G36CPFRXE6D
2"	5.71	8.70	8.47	4.60	3.03	5.03	.79	2.12	1.875	2.52	ED100	16.8	H36CPFRXE6D
3"	7.56	11.14	10.75	5.39	4.33	7.40	.79	2.52	2.875	3.54	ED200	40.8	J36CPFRXE6D
4"	9.30	12.01	13.36	7.12	5.44	8.95	.79	3.41	3.837	4.68	ED350	66.9	K36CPFRXE6D

### 36 VALVE FEATURES

- Full port 316 stainless steel body and ball.
- PTFE seats, cavity fillers and stem seals.
- Investment cast body.
- Live loaded pyramidal stem seals.
- 3 piece design with Quick Clamp ends.
- Temperature range: -30°F to 380°F.
- Pressure range: 29 inHg vacuum to 1000 PSI.
- Surface Finish: 180 grit and Ra of 24u-in.

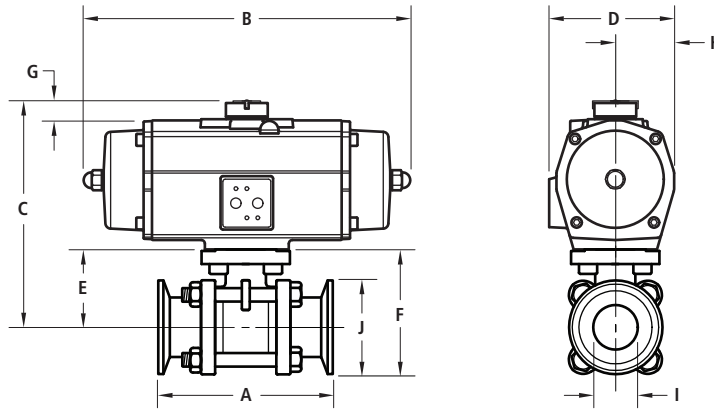
### PNEUMATIC ACTUATOR FEATURES

- E Series double acting rack and pinion actuator.
- Corrosion resistant coating.
- NAMUR solenoid mounting pad, ISO 5211 mounting standard.
- Visual position indicators.
- High duty cycle.
- Permanent lubrication.
- Temperature range: -4°F to 175°F.

# 36CPFRXESR Series

Stainless steel 2-way full port ball valve with spring return pneumatic actuator

(Quick Clamp end connections and cavity filler seats, actuators are sized for 300 PSI pressure differential)



## DIMENSIONS, WEIGHTS & SPECIFICATIONS

Size	A	B	C	D	E	F	G	H	I	J	Actuator	Wt. (lbs.)	Model No.
<b>80 PSI Minimum Actuator Air Supply = 85</b>													
1/2"	3.66	6.77	5.52	3.26	1.58	2.58	.79	1.46	.378	.98	ES25	4.7	C36CPFRXE8S
3/4"	4.14	8.03	6.18	3.78	1.73	2.82	.79	1.70	.626	.98	ES40	6.3	D36CPFRXE8S
1"	4.49	10.51	7.49	4.60	2.05	3.30	.79	2.12	.875	1.98	ES100	13.1	E36CPFRXE8S
1-1/2"	4.89	14.17	9.10	5.39	2.68	4.32	.79	2.52	1.375	1.98	ES200	26.1	G36CPFRXE8S
2"	5.71	14.17	9.45	5.39	3.03	5.03	.79	2.52	1.875	2.52	ES200	30.1	H36CPFRXE8S
3"	7.56	15.24	12.25	7.12	4.33	7.40	.79	3.41	2.875	3.54	ES350	65.3	J36CPFRXE8S
4"	9.30	18.78	15.28	8.52	5.44	8.95	.79	4.08	3.837	4.68	ES600	104.8	K36CPFRXE8S
<b>60 PSI Minimum Actuator Air Supply = 65</b>													
1/2"	3.66	8.03	6.03	3.78	1.58	2.58	.79	1.70	.378	.98	ES40	6.3	C36CPFRXE6S
3/4"	4.14	8.03	6.18	3.78	1.73	2.82	.79	1.70	.626	.98	ES40	6.3	D36CPFRXE6S
1"	4.49	14.17	8.47	5.39	2.05	3.30	.79	1.93	.875	1.98	ES200	23.1	E36CPFRXE6S
1-1/2"	4.89	14.17	9.10	5.39	2.68	4.32	.79	2.52	1.375	1.98	ES200	26.1	G36CPFRXE6S
2"	5.71	14.17	9.45	5.39	3.03	5.03	.79	2.52	1.875	2.52	ES200	30.1	H36CPFRXE6S
3"	7.56	15.24	12.25	7.12	4.33	7.40	.79	3.41	2.875	3.54	ES350	65.3	J36CPFRXE6S
4"	9.30	18.78	15.28	8.52	5.44	8.95	.79	4.08	3.837	4.68	ES600	104.8	K36CPFRXE6S

### 36 VALVE FEATURES

- Full port 316 stainless steel body and ball.
- PTFE seats, cavity fillers and stem seals.
- Investment cast body.
- Live loaded pyramidal stem seals.
- 3 piece design with Quick Clamp ends.
- Temperature range: -30°F to 380°F.
- Pressure range: 29 inHg vacuum to 1000 PSI.
- Surface Finish: 180 grit and Ra of 24u-in.

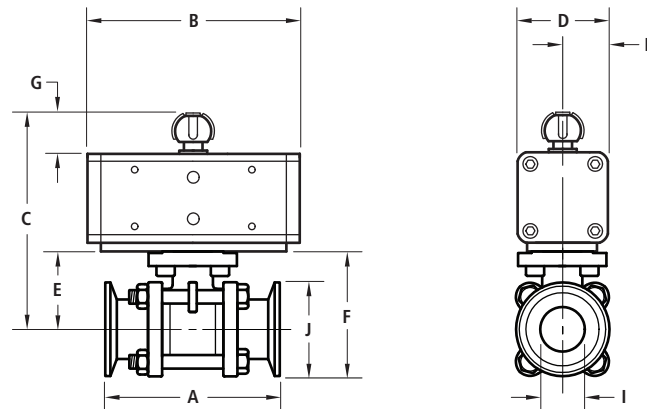
### PNEUMATIC ACTUATOR FEATURES

- E Series spring return rack and pinion actuator.
- Corrosion resistant coating.
- NAMUR solenoid mounting pad, ISO 5211 mounting standard.
- Visual position indicators.
- High duty cycle.
- Permanent lubrication.
- Temperature range: -4°F to 175°F.

# 36CPFRXODA Series

**Stainless steel 2-way full port ball valve with double acting pneumatic actuator**

(Quick Clamp end connections and cavity filler seats, actuators are sized for 300 PSI pressure differential)



## DIMENSIONS, WEIGHTS & SPECIFICATIONS

Size	A	B	C	D	E	F	G	H	I	J	Actuator	Wt. (lbs.)	Model No.
<b>80 PSI Minimum Actuator Air Supply = 8D</b>													
1/2"	3.66	5.12	4.73	2.16	1.58	2.58	.79	1.08	.378	.98	PD030	3.2	C36CPFRX08D
3/4"	4.14	5.12	4.88	2.16	1.73	2.82	.79	1.08	.626	.98	PD030	3.2	D36CPFRX08D
1"	4.49	5.98	5.59	2.56	2.05	3.30	.79	1.28	.875	1.98	PD060	6.4	E36CPFRX08D
1-1/2"	4.89	6.65	6.52	2.83	2.68	4.32	.79	1.41	1.375	1.98	PD090	10.1	G36CPFRX08D
2"	5.71	6.65	6.87	2.83	3.03	5.03	.79	1.41	1.875	2.52	PD090	14.1	H36CPFRX08D
3"	7.56	8.35	9.29	3.54	4.33	7.40	1.18	1.77	2.875	3.54	PD180	35.5	J36CPFRX08D
4"	See E Series												
<b>60 PSI Minimum Actuator Air Supply = 6D</b>													
1/2"	3.66	5.12	4.73	2.16	1.58	2.58	.79	1.08	.378	.98	PD030	3.2	C36CPFRX06D
3/4"	4.14	5.12	4.88	2.16	1.73	2.82	.79	1.08	.626	.98	PD030	3.2	D36CPFRX06D
1"	4.49	6.65	5.89	2.83	2.05	3.30	.79	1.41	.875	1.98	PD090	7.1	E36CPFRX06D
1-1/2"	4.89	7.24	7.24	2.83	2.68	4.32	1.18	1.57	1.375	1.98	PD120	12.2	G36CPFRX06D
2"	5.71	7.24	7.59	2.83	3.03	5.03	1.18	1.57	1.875	2.52	PD120	16.2	H36CPFRX06D
3"	See E Series												
4"	See E Series												

### 36 VALVE FEATURES

- Full port 316 stainless steel body and ball.
- PTFE seats, cavity fillers and stem seals.
- Investment cast body.
- Live loaded pyramidal stem seals.
- 3 piece design with Quick Clamp ends.
- Temperature range: -30°F to 380°F.
- Pressure range: 29 inHg vacuum to 1000 PSI.
- Surface Finish: 180 grit and Ra of 24u-in.

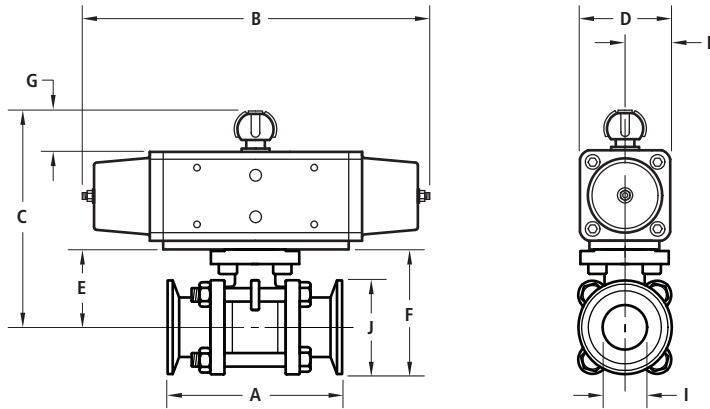
### PNEUMATIC ACTUATOR FEATURES

- O Series double acting pneumatic actuator.
- Corrosion resistant coating.
- NAMUR solenoid mounting pad, ISO 5211 mounting standard.
- Visual position indicators.
- High duty cycle.
- Permanent lubrication.
- Temperature range: -4°F to 175°F.

# 36CPFRXOSR Series

Stainless steel 2-way full port ball valve with spring return pneumatic actuator

(Quick Clamp end connections and cavity filler seats, actuators are sized for 300 PSI pressure differential)



## DIMENSIONS, WEIGHTS & SPECIFICATIONS

Size	A	B	C	D	E	F	G	H	I	J	Actuator	Wt. (lbs.)	Model No.
<b>80 PSI Minimum Actuator Air Supply = 85</b>													
1/2"	3.66	9.45	5.12	2.56	1.58	2.58	.79	1.28	.378	.98	PS030	5.4	C36CPFRX08S
3/4"	4.14	9.45	5.27	2.56	1.73	2.82	.79	1.28	.626	.98	PS030	5.4	D36CPFRX08S
1"	4.49	11.58	5.89	2.83	2.05	3.30	.79	1.41	.875	1.98	PS045	8.3	E36CPFRX08S
1-1/2"	4.89	12.80	7.24	3.15	2.68	4.32	1.18	1.57	1.375	1.98	PS060	13.7	G36CPFRX08S
2"	5.71	12.80	7.59	3.15	3.03	5.03	1.18	1.57	1.875	2.52	PS060	17.7	H36CPFRX08S
3"	7.56	17.18	10.15	4.41	4.33	7.40	1.18	2.20	2.875	3.54	PS180	48.7	J36CPFRX08S
4"	See E Series												
<b>60 PSI Minimum Actuator Air Supply = 65</b>													
1/2"	3.66	9.45	5.12	2.56	1.58	2.58	.79	1.28	.378	.98	PS030	5.4	C36CPFRX06S
3/4"	4.14	9.45	5.27	2.56	1.73	2.82	.79	1.28	.626	.98	PS030	5.4	D36CPFRX06S
1"	4.49	12.80	6.61	3.15	2.05	3.30	1.18	1.57	.875	1.98	PS060	10.7	E36CPFRX06S
1-1/2"	4.89	14.06	7.64	3.54	2.68	4.32	1.18	1.77	1.375	1.98	PS090	16.1	G36CPFRX06S
2"	5.71	14.06	7.99	3.54	3.03	5.03	1.18	1.77	1.875	2.52	PS090	20.1	H36CPFRX06S
3"	See E Series												
4"	See E Series												

### 36 VALVE FEATURES

- Full port 316 stainless steel body and ball.
- PTFE seats, cavity fillers and stem seals.
- Investment cast body.
- Live loaded pyramidal stem seals.
- 3 piece design with Quick Clamp ends.
- Temperature range: -30°F to 380°F.
- Pressure range: 29 inHg vacuum to 1000 PSI.
- Surface Finish: 180 grit and Ra of 24u-in.

### PNEUMATIC ACTUATOR FEATURES

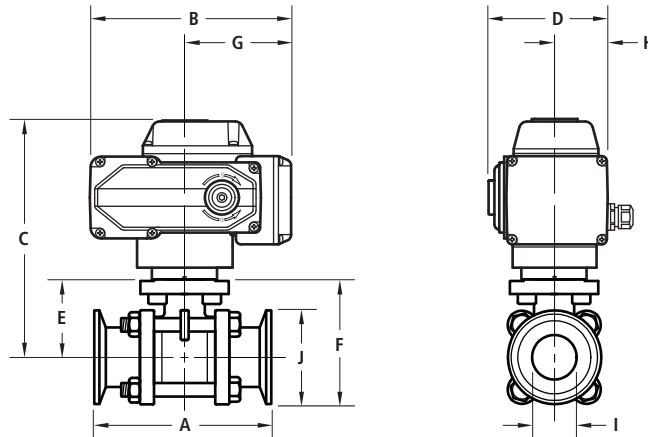
- O Series spring return pneumatic actuator.
- Corrosion resistant coating.
- NAMUR solenoid mounting pad, ISO 5211 mounting standard.
- Visual position indicators.
- High duty cycle.
- Permanent lubrication.
- Temperature range: -4°F to 175°F.



## 36CPFRXK4 Series

Stainless steel 2-way full port ball valve with electric actuator, NEMA 4, 4X

(Quick Clamp end connections and cavity filler seats, actuators are sized for 300 PSI pressure differential)



### DIMENSIONS, WEIGHTS & SPECIFICATIONS

Size	A	B	C	D	E	F	G	H	I	J	Actuator	Wt. (lbs.)	Model No.
1"	4.49	8.17	8.49	4.82	2.05	3.30	4.43	2.36	.875	1.98	KOUNIC10A-ISO	13.0	E36CPFRXK4A
1-1/2"	4.89	8.17	9.12	4.82	2.68	4.32	4.43	2.36	1.375	1.98	KOUNIC10A-ISO	16.0	G36CPFRXK4A
2"	5.71	8.17	9.47	4.82	3.03	5.03	4.43	2.36	1.872	2.52	KOUNIC10A-ISO	20.0	H36CPFRXK4A
3"	7.56	10.10	11.61	6.16	4.33	7.40	5.25	2.36	2.872	3.54	KOUNIC20A-ISO	46.0	J36CPFRXK4A
4"	9.30	15.00	14.65	9.53	5.44	8.95	7.85	2.36	3.837	4.68	KOUNIC60A-ISO	90.2	K36CPFRXK4A

### 36 VALVE FEATURES

- Full port 316 stainless steel body and ball.
- PTFE seats, cavity fillers and stem seals.
- Investment cast body.
- Live loaded pyramidal stem seals.
- 3 piece design with Quick Clamp ends.
- Temperature range: -30°F to 380°F.
- Pressure range: 29 inHg vacuum to 1000 PSI.
- Surface Finish: 180 grit and Ra of 24u-in.

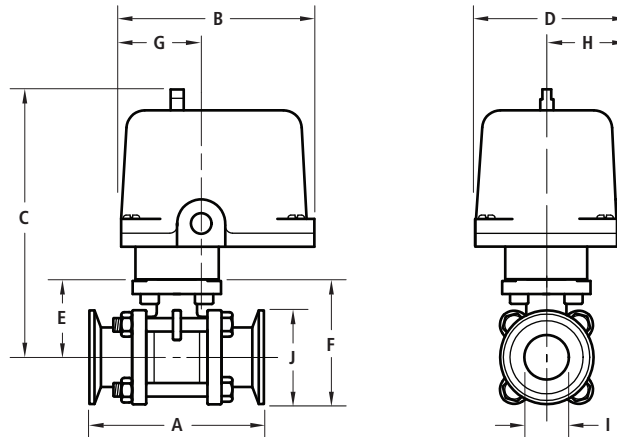
### ELECTRIC ACTUATOR FEATURES

- K Series electric actuator.
- Most voltages available.
- Quarter turn: 0-90° rotation.
- NEMA 4/4X certified by UL labs.
- ISO 5211 mounting standard.
- Visual position indicators.
- Self-locking drive train.
- Mounts in any direction.
- 1/2" NPT conduit connection.
- CSA-NRTL/C and CE certified.
- Temperature range: 0°F to 160°F.

## 36CPFRXR4 Series

Stainless steel 2-way full port ball valve with electric actuator, NEMA 4, 4X

(Quick Clamp end connections and cavity filler seats, actuators are sized for 300 PSI pressure differential)



### DIMENSIONS, WEIGHTS & SPECIFICATIONS

Size	A	B	C	D	E	F	G	H	I	J	Actuator	Wt. (lbs.)	Model No.
1/2"	3.66	5.95	7.63	4.40	1.58	2.58	2.48	2.20	.378	.98	R150 (5 sec.)	5.0	C36CPFRXR4⊙
3/4"	4.14	5.95	7.78	4.40	1.73	2.82	2.48	2.20	.626	.98	R150 (5 sec.)	5.0	D36CPFRXR4⊙
1"	4.49	5.95	8.10	4.40	2.05	3.30	2.48	2.20	.875	1.98	R600 (16 sec.)	9.0	E36CPFRXR4⊙
1-1/2"	4.89	5.95	8.73	4.40	2.68	4.32	2.48	2.20	1.375	1.98	R600 (16 sec.)	12.0	G36CPFRXR4⊙
2"	5.71	5.95	9.08	4.40	3.03	5.03	2.48	2.20	1.872	2.52	R600 (16 sec.)	16.0	H36CPFRXR4⊙
3"	See K Series												
4"	See K Series												

⊙ Voltage: A = 120 VAC; B = 24 VDC; F = 12 VDC.

### 36 VALVE FEATURES

- Full port 316 stainless steel body and ball.
- PTFE seats, cavity fillers and stem seals.
- Investment cast body.
- Live loaded pyramidal stem seals.
- 3 piece design with Quick Clamp ends.
- Temperature range: -30°F to 380°F.
- Pressure range: 29 inHg vacuum to 1000 PSI.
- Surface Finish: 180 grit and Ra of 24u-in.

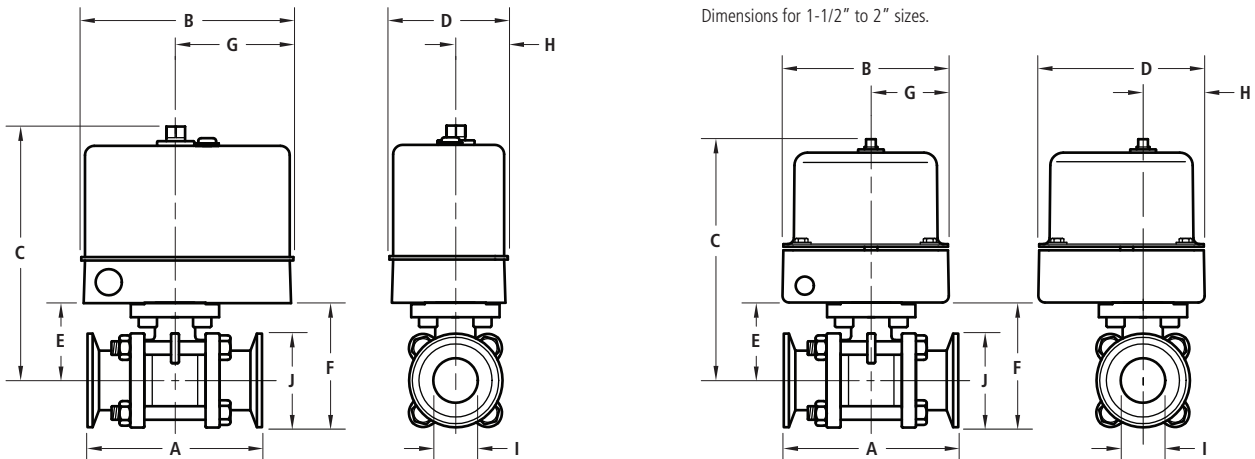
### ELECTRIC ACTUATOR FEATURES

- R Series electric actuator.
- NEMA 4, 4X.
- Voltages available: 120 VAC, 12 VDC, 24 VDC.
- Duty cycle: 25% at 120 VAC, 100% at DC units.
- ISO 5211 universal mounting.
- Manual override.
- Permanent lubrication.
- Visual position indicator.
- Temperature range: 0°F to 150°F.

## 36CPFRXV4 Series

### Stainless steel 2-way full port ball valve with electric actuator, NEMA 4, 4X

(Quick Clamp end connections and cavity filler seats, actuators are sized for 300 PSI pressure differential)



#### DIMENSIONS, WEIGHTS & SPECIFICATIONS

Size	A	B	C	D	E	F	G	H	I	J	Actuator	Wt. (lbs.)	Model No.
1/2"	3.66	5.50	5.81	3.00	1.58	2.58	3.06	1.38	.378	.98	EV1S1V1	6.0	C36CPFRXV4⊙
3/4"	4.14	5.50	5.96	3.00	1.73	2.82	3.06	1.38	.626	.98	EV1S1V1	6.0	D36CPFRXV4⊙
1"	4.49	6.43	8.37	6.43	2.05	3.30	3.01	2.36	.875	1.98	NV6S2V1	14.0	E36CPFRXV4⊙
1-1/2"	4.89	6.43	9.00	6.43	2.68	4.32	3.01	2.36	1.375	1.98	NV6S2V1	17.0	G36CPFRXV4⊙
2"	5.71	6.43	9.35	6.43	3.03	5.03	3.01	2.36	1.872	2.52	NV6S2V1	21.0	H36CPFRXV4⊙
3"	See K Series												
4"	See K Series												

⊙ Voltage: A = 120 VAC; B = 24 VDC; F = 12 VDC.

#### 36 VALVE FEATURES

- Full port 316 stainless steel body and ball.
- PTFE seats, cavity fillers and stem seals.
- Investment cast body.
- Live loaded pyramidal stem seals.
- 3 piece design with Quick Clamp ends.
- Temperature range: -30°F to 380°F.
- Pressure range: 29 inHg vacuum to 1000 PSI.
- Surface Finish: 180 grit and Ra of 24u-in.

#### ELECTRIC ACTUATOR FEATURES

- V Series electric actuator.
- NEMA 4, 4X.
- Voltages available: 120 VAC, 220 VAC, 24 VAC, 12 VDC, 24 VDC.
- Duty cycle: 25% at 120 VAC (EV1), 75% at 120 VAC (EV3, NV6), 100% at DC units.
- ISO 5211 universal mounting.
- Manual override.
- Permanent lubrication.
- Visual position indicator.
- Temperature range: 0°F to 160°F.