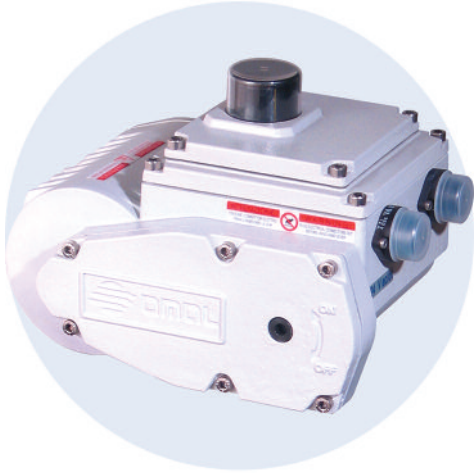


I4 Series

Electric Actuator



The I4 Series is a compact industrial duty quarter turn electric actuator specifically designed for ball and butterfly valves. The I4 Series incorporates a self locking gear train, IP65 weatherproof enclosure, visual position indicator, manual override and ISO 5211 mounting pad. The actuator is available in 115 VAC and 24 VDC/VAC with a complete line of accessories available.

FEATURES

- 90° travel (adjustable between 20° and 95°).
- Working torques of 300 in./lbs. to 2100 in./lbs.
- Duty cycle of 50%.
- Weatherproof enclosure to IP65 standard.
- IP65 standard connectors.
- Motor Class F insulation to 311°F.
- Ball bearing construction.
- Manual override.
- Visual position indicator.
- Space heater is standard.
- Extra 2 SPDT limit switches.
- Electrical connection: cable gland.

OPTIONAL FEATURES

- Modulating positioner.
- 4 aux. limit switches.
- Speed control.
- Potentiometer feedback.

I4 SERIES MODEL NUMBERING

Model Number: **I4** X X X X

Output Torque: _____
0300 = 300 in./lbs.
0600 = 619 in./lbs.
1100 = 1150 in./lbs.
2100 = 2124 in./lbs.

Voltage: _____
A = 115 VAC
B = 24 VAC/VDC

Connectors (cable gland): _____
S = Straight (standard)
N = 90°

Optional:

Accessories: _____
EP = 4-20 mA DC Positioner
XLS = Extra Limit Switches
POT = Feedback Potentiometer
SC = Speed control

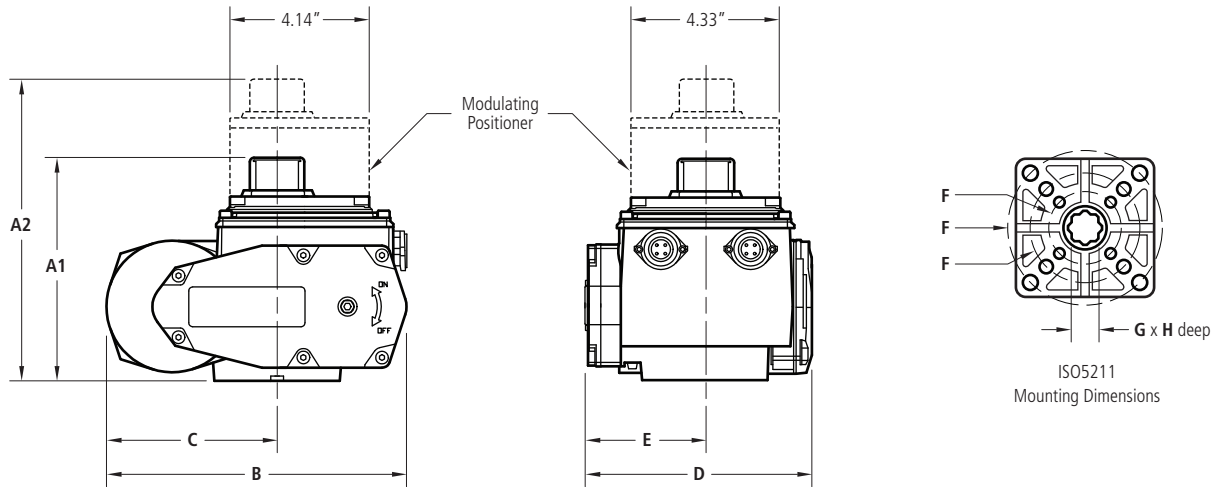
TEMPERATURE RANGE

0°F to 140°F

I4 Series

Electric Actuator

(115 VAC and 24 VAC/VDC)

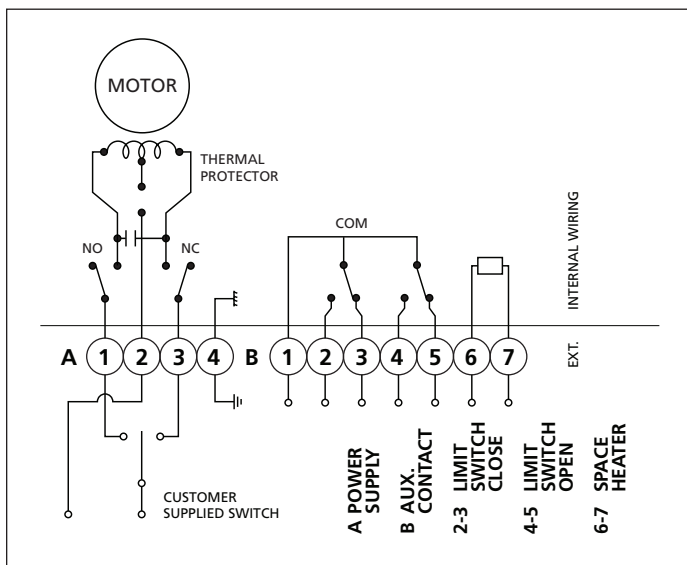


WEIGHTS & ADDITIONAL SPECIFICATIONS

| Output Torque | A1 | A2 | B | C | D | E | F | G | H | Speed (sec) | | Current Draw (amps) | | Weight (lbs.) | | Model No. |
|---------------|------|------|------|------|------|------|-------------|----|------|-------------|------------|---------------------|------------|---------------|------------|-----------|
| | | | | | | | | | | 115 VAC | 24 VAC/VDC | 115 VAC | 24 VAC/VDC | On/Off | Modulating | |
| 300 in./lb. | 5.40 | 8.72 | 7.56 | 3.58 | 5.20 | 2.21 | F03/F05/F07 | 14 | 15.5 | 10 | 15 | 1.0 | 2.0 | 7.9 | 9.7 | I40300ⓄⓄ |
| 619 in./lb. | 5.40 | 8.72 | 7.56 | 3.58 | 5.36 | 2.37 | F05/F07 | 14 | 15.5 | 10 | 15 | 1.0 | 3.5 | 7.9 | 9.7 | I40600ⓄⓄ |
| 1150 in./lb. | 6.17 | 9.53 | 8.73 | 4.75 | 6.30 | 3.31 | F05/F07/F10 | 17 | 19.0 | 10 | 15 | 1.5 | 3.0 | 7.9 | 18.3 | I41100ⓄⓄ |
| 2124 in./lb. | 6.17 | 9.53 | 8.73 | 4.75 | 6.30 | 3.31 | F07/F10 | 22 | 24.0 | 15 | 20 | 2.0 | 5.0 | 16.5 | 18.3 | I42100ⓄⓄ |

Ⓞ Voltage: **A** = 115 VAC; **B** = 24 VAC/VDC. Ⓞ Connectors: **S** = Straight; **N** = 90°.

WIRING DIAGRAM (115 VAC)



WIRING DIAGRAM (24 VAC/VDC)

