

K4 Series

Electric Actuator



The K4 Series is a compact industrial duty quarter turn electric actuator specifically designed for ball and butterfly valves. The K4 Series incorporates a self locking gear train, NEMA-4/4X weatherproof enclosure, visual position indicator, manual override and ISO 5211 mounting pad. The actuator is available in 115 VAC and 24 VDC with a complete line of accessories available.

FEATURES

- 90° travel (adjustable between 20° and 95°).
- Working torques of 300 in./lbs. to 2100 in./lbs.
- Duty cycle of 75% to 100%.
- Weatherproof enclosure to NEMA-4/4X standard (certified by UL Labs).
- Internal wire terminals.
- Built in auto reset.
- Motor Class F insulation to 311°F.
- Ball bearing construction.
- Manual override.
- Visual position indicator.
- Maximum working noise of 73 dB.
- Full line of accessories including positioners, extra limit switches, potentiometer feedback and speed control.

OPTIONAL FEATURES (NUCOM SERIES)

- 4-20 mA modulating positioner.

TEMPERATURE RANGE

0°F to 131°F

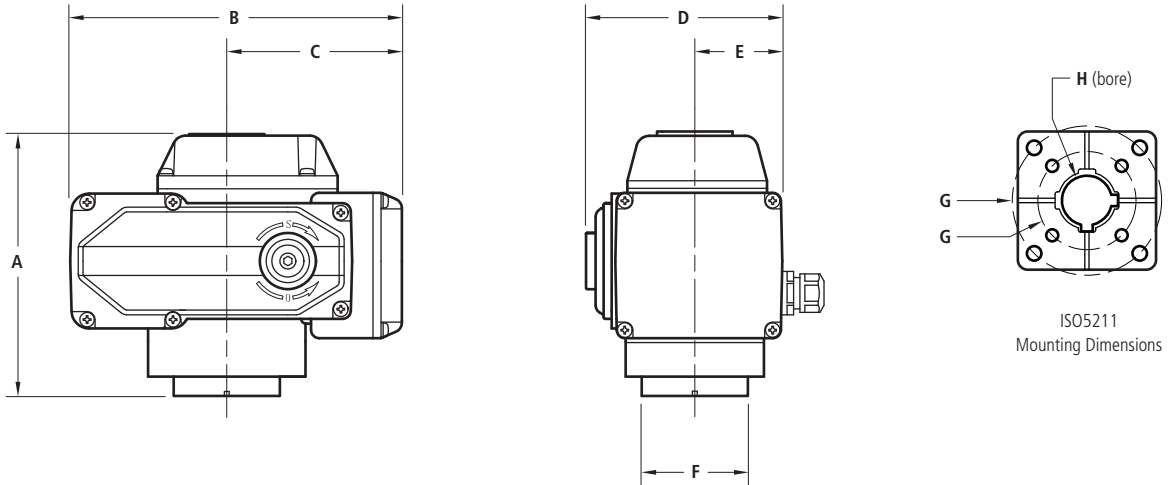
SPECIFICATIONS

Duty Cycle:

100% (75% for UNIC60)

K4 Series

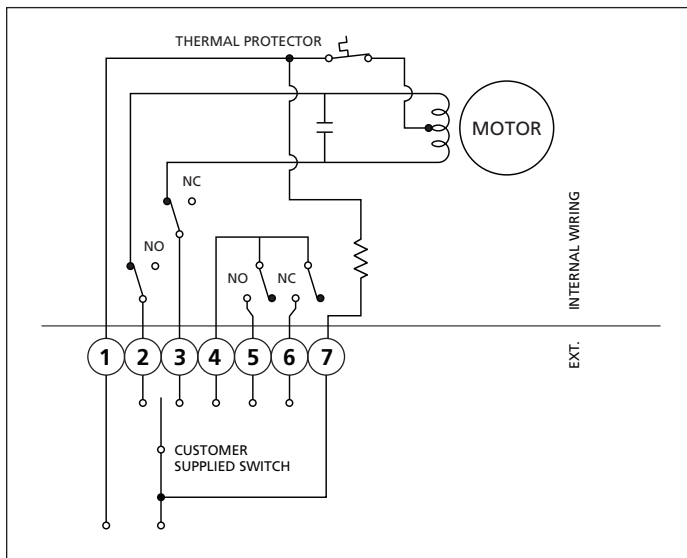
Electric Actuator
(115 VAC and 24 VDC)



WEIGHTS & ADDITIONAL SPECIFICATIONS

Output Torque	A	B	C	D	E	F	G	H	Speed (sec)	Current Draw (amps)	Weight (lbs.)	Model No.
On/Off												
868 in./lb.	6.44	8.17	4.33	4.82	2.15	2.60	F05/F07	1.103	25	0.60/0.65	9.9	UNIC10
1763 in./lb.	7.28	10.10	5.25	6.16	2.46	3.82	F07/F10	1.418	25	1.0/1.1	16.5	UNIC20
5208 in./lb.	9.21	15.00	7.86	9.53	4.13	5.31	F10/F12	2.205	25	1.7/1.9	46.2	UNIC60
Modulating												
608 in./lb.	6.44	8.17	4.33	4.82	1.62	2.60	F05/F07	1.103	30	0.60	9.9	NUCOM10NS
2430 in./lb.	6.55	10.10	5.25	6.16	2.46	3.82	F10/F12	2.205	30	1.6	18.0	NUCOM10NM

WIRING DIAGRAM (ON/OFF)



WIRING DIAGRAM (MODULATING)

