

RM-150 Series

Electric Actuator, Cost Effective for OEM Applications



The Assured Automation RM-Series electric actuators offer a simple and cost effective solution for your valve automation needs. For use on quarter turn (90°) ball valves 1/4" to 1-1/2" in size. This compact industrial unit has external DIN wiring connectors eliminating the need to open the unit. Pre-wired power cords are also available.

FEATURES

- External wiring connectors.
- Compact design.
- Direct mounting to valve, ISO5211.
- Manual override.
- Thermally protected motor.
- NEMA-4 weatherproof enclosure.
- Hardened steel gearing.
- Self-lubricating shaft bearings.
- Factory sealed gearbox.
- Position Indicator.
- 2 motor travel switches and 2 auxiliary position switches.

RM-150 SERIES MODEL NUMBERING

Model Number: **RM150** X X X

Voltage: _____

A = 120 VAC

B = 24 VDC

C = 220 VAC

F = 12 VDC

Power Connector: _____

1 = ISO Strain Relief PG9

2 = ISO 1/2" NPTF Conduit

3 = ISO Strain Relief PG11

4 = 6' Molded Cable

5 = 15' Molded Cable

Limit Switch Connector: _____

1 = Sub-Micro Strain Relief PG7

2 = Sub-Mirco 1/2" Conduit

3 = 6' Molded Cable

4 = 15' Molded Cable

TEMPERATURE RANGE

-4°F to +150°F.

MATERIALS OF CONSTRUCTION

Mounting/Shaft:

Zinc plated steel.

Cover:

Composite, PVC.

Base:

Diecast zinc alloy.

Base Finish:

Powder coated epoxy.

SPECIFICATIONS

Enclosure:

NEMA-4, weatherproof.

Conduit Connection:

External wiring connectors.

Duty Cycle:

AC Units - 25%;

DC Units - 100%.

Lubrication:

Permanently lubricated gear train and bearing.

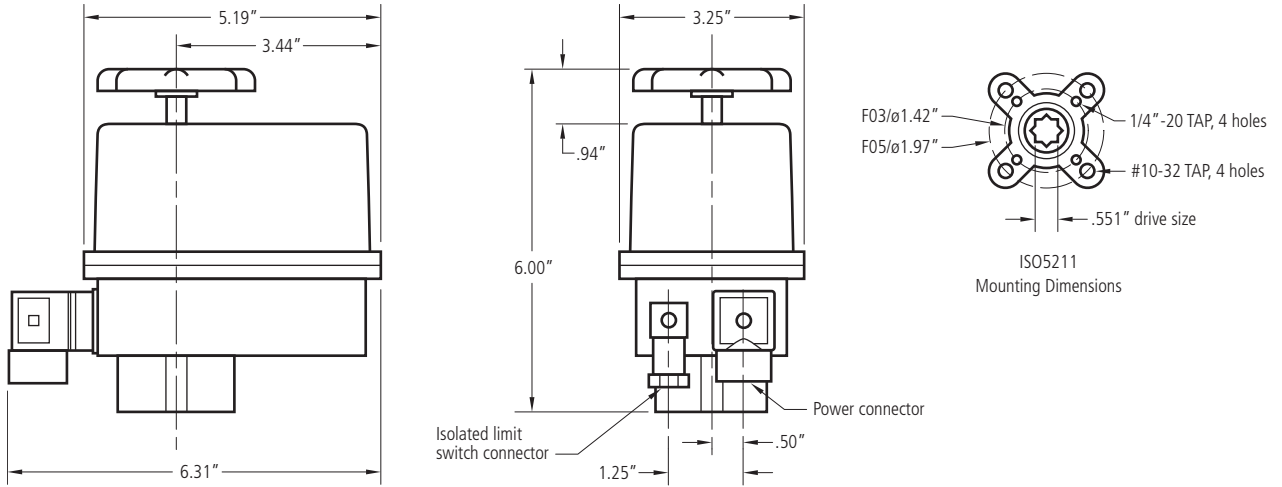
Mounting/Shaft:

ISO 5211/Female.

RM-150

Electric actuator

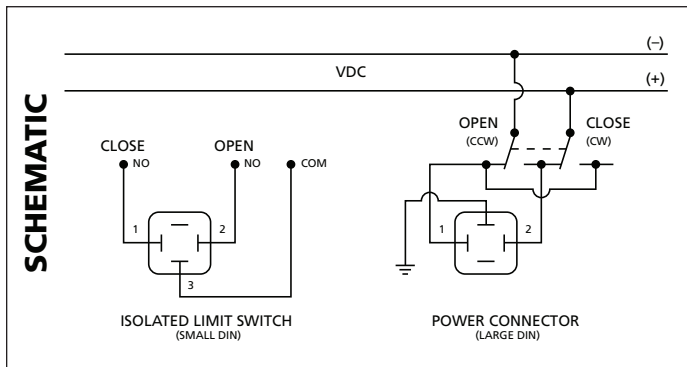
(150 in/lbs Output Torque, AC & DC)



WEIGHT & ADDITIONAL SPECIFICATIONS

Voltage	Current Draw	Speed (sec.)	Break Torque	Weight (lbs.)	Model No.
120 VAC	6.0 A	6	150 in./lb.	6.0	RM150A
24 VDC	1.0 A	6	150 in./lb.	6.0	RM150B
220 VAC	0.4 A	6	150 in./lb.	6.0	RM150C
12 VDC	1.5 A	4	150 in./lb.	6.0	RM150F

WIRING DIAGRAM (VDC)



WIRING DIAGRAM (VAC)

