

Sure Cross® Performance Gateway Module with I/O



Datasheet



Sure Cross® Performance embeddable board modules were specifically designed for the needs of industrial users to provide connectivity where traditional wired connections are not possible or cost prohibitive. Wireless networks are formed around a Gateway, which acts as the wireless network master device, and one or more Nodes. Sure Cross Performance embeddable board modules communicate with all Sure Cross Performance radios.

- Wireless industrial I/O device with two PNP discrete inputs, two PNP discrete outputs, two 0–20 mA analog inputs, and two 0–20 mA analog outputs
- Selectable transmit power levels of 250 mW or 1 Watt for 900 MHz models and 65 mW for 2.4 GHz models
- 10 to 30 V dc power input
- DIP switches for user configuration
- Modbus serial interface
- Frequency Hopping Spread Spectrum (FHSS) technology and Time Division Multiple Access (TDMA) control architecture ensure reliable data delivery within the unlicensed Industrial, Scientific, and Medical (ISM) band
- Transceivers provide bidirectional communication between the Gateway and Node, including fully acknowledged data transmission
- Lost RF links are detected and relevant outputs set to user-defined conditions

For additional information, updated documentation, and accessories, refer to Banner Engineering's website, www.bannerengineering.com/surecross.

Refer to document number [164886](#), packed with your PB2 Gateway, for a quick start guide to forming PB2 to PB2 networks.

Models	Antenna Connection	Frequency	Inputs and Outputs
DX80G2M6S-PB2	Ext. Reverse Polarity SMA, 50 Ohms	2.4 GHz ISM Band	Inputs: Two PNP discrete, two 0–20 mA analog Outputs: Two PNP discrete, two 0–20 mA analog
DX80G9M6S-PB2		900 MHz ISM Band	
DX80G2M6U-PB2	U.FL-R-SMT.(01)	2.4 GHz ISM Band	Automatically maps I/O from a Node to the Gateway via DIP switches on the Gateway
DX80G9M6U-PB2		900 MHz ISM Band	



WARNING: Not To Be Used for Personnel Protection

Never use this device as a sensing device for personnel protection. Doing so could lead to serious injury or death. This device does not include the self-checking redundant circuitry necessary to allow its use in personnel safety applications. A sensor failure or malfunction can cause either an energized or de-energized sensor output condition.



CAUTION: Electrostatic Discharge (ESD)

ESD Sensitive Device. Use proper handling procedures to prevent ESD damage to these devices. The module does not contain any specific ESD protection beyond the structures contained in its integrated circuits. Proper handling procedures should include leaving devices in their anti-static packaging until ready for use; wearing anti-static wrist straps; and assembling units on a grounded, static-dissipative surface.



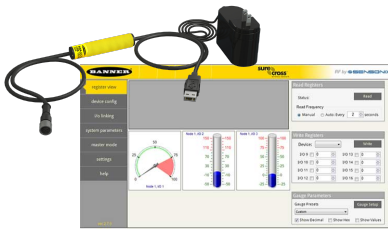
CAUTION: Never Operate 1 Watt Radios Without Antennas

To avoid damaging the radio circuitry, never power up Sure Cross® Performance or Sure Cross MultiHop (1 Watt) radios without an antenna.



Sure Cross® User Configuration Tool

The User Configuration Tool (UCT) software runs on any Windows machine and uses a converter cable to connect your Gateway to the computer.



The User Configuration Tool (UCT) offers an easy way to link I/O points in your wireless network, view I/O register values graphically, and set system communication parameters when a host system is not part of the wireless network. Download the most recent revisions of the UCT software from Banner Engineering's website: <http://www.bannerengineering.com/wireless>.

The UCT requires a special USB to RS-485 (model number BWA-UCT-900 for 1 Watt radios, BWA-HW-006 can be used for all other radios) converter cable to pass information between your computer and the Gateway.

Using Performance and Non-Performance Radios in the Same Network

To comply with federal regulations, the 150 mW radios and 1 Watt radios communicate differently. To mix Performance radios with non-Performance radios:

- Operate Performance radios in 250 mW mode to communicate with non-Performance radios (DIP switch 1 ON)
- Set non-Performance radios to use Extended Address Mode to communicate with Performance radios (DIP switch 1 ON)

For more detailed instructions about setting up your wireless network, refer to the Quick Start Guide (p/n [128185](#)). For more information about using Performance and non-Performance radios within the same network, refer the technical note titled *Mixing Performance Radios and 150 mW Radios in the Same Network* listed on the Wireless Support - FAQs section of Banner's [Wireless website](#).

Setting Up Your Wireless Network

To set up and install your wireless network, follow these steps.

Disconnect the power from your Sure Cross devices.

1. Configure the DIP switches of all devices.
2. If your device has I/O, connect the sensors to the Sure Cross devices. If your device does not have I/O, skip this step.
3. Refer to the wiring diagrams to apply power to all devices.
 - For two LED models, the Gateway's LED 1 is solid green and the Node's LED 2 flashes red to indicate there is no radio link to the Gateway.
 - For one LED models, the Gateway's LED is solid green and the Node's LED flashes red to indicate there is no radio link to the Gateway.
4. Form the wireless network by binding the Nodes to the Gateway. If the binding instructions are not included in the datasheet, refer to the product manual for binding instructions.
5. Observe the LED behavior to verify the devices are communicating with each other.
 - For two LED models, the Gateway's LED 1 is solid green and the Node's LED 1 flashes green to indicate it is communicating with the Gateway.
 - For one LED models, the Gateway's LED is solid green and the Node's LED flashes green to indicate it is communicating with the Gateway.
6. Conduct a site survey between the Gateway and Nodes. If the site survey instructions are not included in this datasheet, refer to the product manual for detailed site survey instructions.
7. Install your wireless sensor network components. If installation instructions are not included in this datasheet, refer to the product manual for detailed installation instructions.

For additional information, including installation and setup, weatherproofing, device menu maps, troubleshooting, and a list of accessories, refer to one of the following product manuals.

- Sure Cross® Quick Start Guide: [128185](#)
- Sure Cross® Wireless I/O Network Instruction Manual: [132607](#)
- Web Configurator Instruction Manual (used with "Pro" and DX83 models): [134421](#)
- Host Controller Systems Instruction Manual: [132114](#)

Configure the DIP Switches

Before making any changes to the DIP switch positions, disconnect the power. DIP switch changes will not be recognized if power isn't cycled to the device.

For parameters not set via DIP switches, use the User Configuration Tool (UCT) to make configuration changes. For parameters set using the DIP switches, the DIP switch positions override any changes made using the User Configuration Tool.

DIP Switch Settings

Transmit Power

The 900 MHz radios can be operated at 1 watt (30 dBm) or 250 mW (24 dBm). While the Performance radios operate in 1 Watt mode, they cannot communicate with the older 150 mW radios. To communicate with the older 150 mW radios, operate this radio in 250 mW mode. For 2.4 GHz models, this DIP switch is disabled. The transmit power for 2.4 GHz is fixed at about 65 mW EIRP (18 dBm), making the 2.4 GHz Performance models automatically compatible with older 2.4 GHz models.

DIP Switch 1	
OFF *	1 Watt (30 dBm, 900 MHz models only)
ON	250 mW (24 dBm, 900 MHz models only), DX80 compatibility mode

Modbus/UCT Configured or DIP Switch Configured

In Modbus/UCT Configured mode, the device parameters are changed using the User Configuration Tool (UCT) or a Modbus command. All DIP switch positions are ignored. In DIP Switch Configured mode, use the DIP switches to configure the parameters listed in the table. By default, this Gateway uses Modbus commands or the User Configuration Tool to configure the device.

DIP Switch 2	
OFF *	Modbus or UCT configured (DIP switches 3-8 are ignored)
ON	DIP switch configured

DIP Switch 3

DIP switch 3 must remain in the OFF position.

Link Loss Output State

The SureCross DX80 wireless devices use a deterministic radio link time-out method to address RF link interruption or failure. When a radio link fails, all pertinent wired outputs are sent to defined states until the link is recovered, ensuring that disruptions in the communications link result in predictable system behavior. Select the state the outputs are changed to during a link loss.

DIP Switches		
4	5	
OFF *	OFF *	Off (discrete) or 0 mA (analog)
OFF	ON	On (discrete) or 20 mA (analog)
ON	OFF	Hold last stable state
ON	ON	Reserved

* Default configuration

Analog Scale

Use the DIP switch to select which current scale to use for all the device's analog inputs and outputs: 0 to 20 mA or 4 to 20 mA. When using a 4-20 mA sensor with a 0-20 mA input, the sensor uses the 4-20 mA section of the total range. Using a 4-20 mA with a 0-20 mA input allows you to determine when you have an error condition with the sensor. A normal

input reading between 4 and 20 mA indicates a functioning sensor whereas a value below 4 mA indicates an error condition, such as a broken wire or loose connection. This DIP switch is used only on the 0 to 20 mA models, not the 0 to 10V models.


DIP Switch 6	
OFF *	0–20 mA scale
ON	4–20 mA scale


* Default configuration

I/O Mapping

When using these DIP switches to set the I/O mapping, you must change the Node's rotary dials to 01 or 02, depending on which mapping sequence you are using. By default, the Nodes ship from the factory set to 11.

		DIP Switches	
		7 = OFF	8 = OFF
No I/O mapping via the DIP switches. Use the User Configuration Tool (UCT) to configure the I/O.			

One PB2 Node to a PB2 Gateway		DIP Switches	
		7 = OFF	8 = ON
		Node 01 Discrete IN 1 → Gateway Discrete OUT 1 Node 01 Discrete IN 2 → Gateway Discrete OUT 2 Node 01 Analog IN 1 → Gateway Analog OUT 1 Node 01 Analog IN 2 → Gateway Analog OUT 2 Gateway Discrete IN 1 → Node 01 Discrete OUT 1 Gateway Discrete IN 2 → Node 01 Discrete OUT 2 Gateway Analog IN 1 → Node 01 Analog OUT 1 Gateway Analog IN 2 → Node 01 Analog OUT 2	

Two PB2 Nodes to a PB2 Gateway		DIP Switches	
		7 = ON	8 = OFF
		Node 01 Discrete IN 1 → Gateway Discrete OUT 1 Node 02 Discrete IN 1 → Gateway Discrete OUT 2 Node 01 Analog IN 1 → Gateway Analog OUT 1 Node 02 Analog IN 1 → Gateway Analog OUT 2 Gateway Discrete IN 1 → Node 01 Discrete OUT 1 Gateway Discrete IN 2 → Node 02 Discrete OUT 1 Gateway Analog IN 1 → Node 01 Analog OUT 1 Gateway Analog IN 2 → Node 02 Analog OUT 1	

Wire the Gateway's I/O and Apply Power

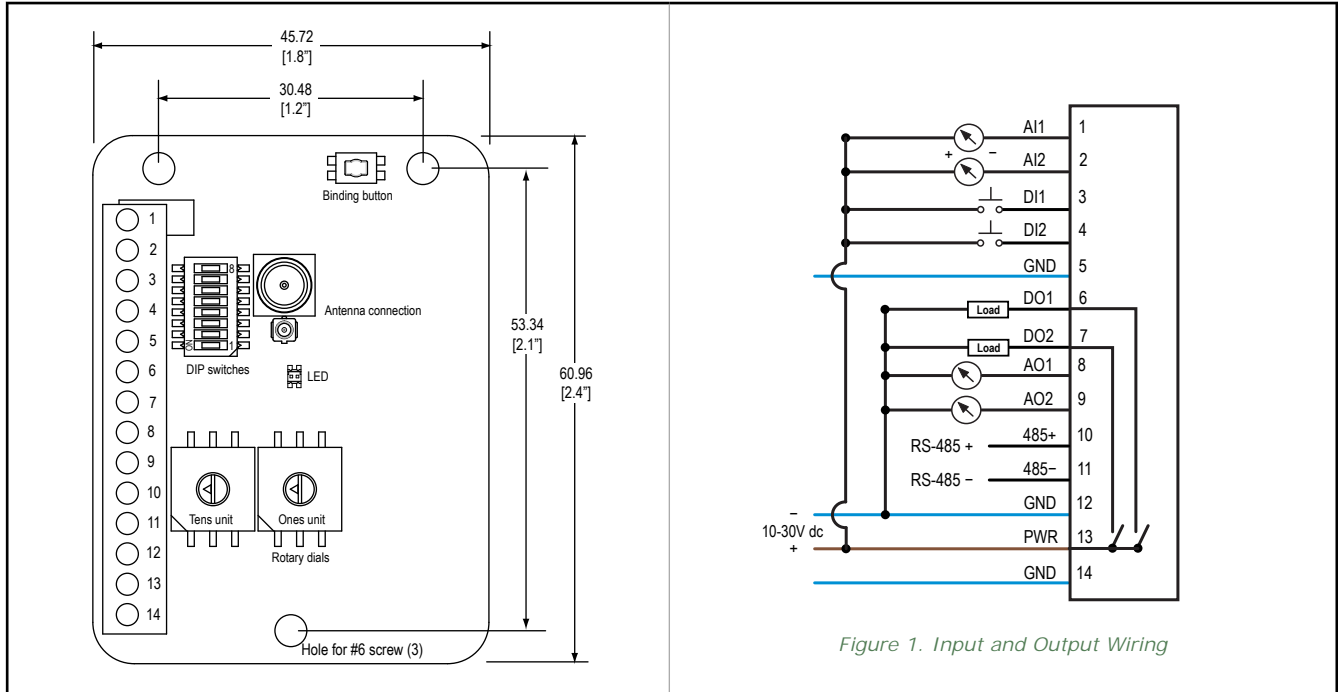


Figure 1. Input and Output Wiring

Pin	Description	Label	Pin	Description	Label
1	Analog IN 1 (0 to 20 mA)	AI1	8	Analog OUT 1 (0 to 20 mA)	AO1
2	Analog IN 2 (0 to 20 mA)	AI2	9	Analog OUT 2 (0 to 20 mA)	AO2
3	Discrete IN 1 (PNP)	DI1	10	RS-485 + Host communication connection	485+
4	Discrete IN 2 (PNP)	DI2	11	RS-485 – Host communication connection	485–
5	Ground ¹	GND	12	Ground	GND
6	Discrete OUT 1 (PNP)	DO1	13	10 to 30 V dc	PWR
7	Discrete OUT 2 (PNP)	DO2	14	Ground	GND

Bind Radios to Form Networks

Binding Nodes to a Gateway ensures the Nodes only exchange data with the Gateway they are bound to. For a more detailed definition of binding mode, refer to the *Advanced Setup* section of the *SureCross Wireless I/O Networks* instruction manual.

Apply power to the board module Gateway and all Nodes.



NOTE: If you are binding a Gateway board module to a Wireless Q45 Sensor, refer to the binding instructions in the Wireless Q45 Sensor's datasheet.

1. Enter binding mode on the Gateway by triple-clicking the binding button. The green and red LED flashes. Any Node entering binding mode will bind to this Gateway.

¹ The three ground connections are tied together internally.

2. Enter binding mode on the Node.
 - If you have a two-button Node, triple-click button 2.
 - If you have a one-button (board module) Node, triple-click the binding button.



The Node enters binding mode and locates the Gateway in binding mode.

- For two LED models, the red LEDs flash alternately. After binding is complete, both LEDs are both solid red for a few seconds.
 - For one-LED models, the red and green LED flashes alternately while the Node searches for the Gateway. After binding is complete, the LED is red and green for four seconds (looks amber), then the red and green flash simultaneously (looks amber) four times.
 - The Node automatically exits binding mode, cycles its power, then enters RUN mode.
3. Use the Node's rotary dials to assign a valid decimal Node Address (between 01 and 47). The left rotary dial represents the tens digit (0 through 4) and the right dial represents the ones digit (0 through 9) of the Node Address.
 4. Repeat steps 2 and 3 for all Nodes that will communicate to this Gateway.
 5. Exit binding mode on the Gateway by single-clicking the binding button.

LED Behavior for the Gateways

Verify all devices are communicating properly. The radios and antennas must be a minimum distance apart to function properly. Recommended minimum distances are:

- 900 MHz 150 mW radios: 6 feet
- 900 MHz 1 Watt radios: 15 feet
- 2.4 GHz 65 mW radios: 1 foot

LED (Bi-color)	Gateway Status
Solid green	Power ON
Green and red flashing alternately	Binding mode
Flashing red	Device Error
Green and red flashing together, looks amber	Modbus Communication Active
Flashing red	Modbus Communication Error
Solid red	Gateway is trying to conduct a Site Survey with a Node that doesn't exist
Green and red solid together, looks amber)	No radio communication detected

For Gateway and Ethernet Bridge systems, active Modbus communication refers to the communication between the Gateway and the Ethernet Bridge. For Gateway-only systems, the Modbus communication LEDs refer to the communication between the Gateway and its host system (if applicable).

Conduct a Site Survey from a Gateway Board Model

Conducting a Site Survey, also known as an RSSI (Radio Signal Strength Indication), analyzes the radio communications link between the Gateway and any Node within the network by analyzing the radio signal strength of received data packets and reporting the number of missed packets that required a retry.

Perform a Site Survey before permanently installing the radio network to ensure reliable communication. Only the Gateway can initiate a Site Survey, and the Site Survey analyzes the radio communications link with one Node at a time. Follow these steps to conduct a Site Survey from the board module Gateway.

1. To start the Site Survey, set the Gateway's rotary dials to the Node address you'd like to conduct a Site Survey with. For example, to analyze the signal strength between this Gateway and Node 02, rotate the left rotary dial to 0 and the right rotary dial to 2.
The Site Survey automatically begins running. If there is a device at address 02, the LED flashes amber. If there is no device at address 02, the LED is solid red. The amber LED flashes at varying rates to indicate the signal strength.
2. To exit the Site Survey, set the Gateway's rotary dials to 00. Otherwise, after 15 minutes the Gateway automatically exits Site Survey mode.
The LED flashes green to indicate the Gateway is in standard operating mode.

The amber LED flashes at specific rates to indicate the Site Survey results. Each signal strength represents the majority of the data packets being received at that signal strength. For example, a strong signal strength indicates the majority of the data packets were received at a strong signal, but a few many have been received at a good or weak signal strength.

- Eight flashes per second: Very strong signal strength
- Four flashes per second: Strong signal strength
- Two flashes per second: Good signal strength
- One flash per second: Weak signal strength
- Solid amber LED: No radio communication detected

Installing the Board Modules

SureCross board modules must be mounted inside a panel or OEM enclosure.

Modbus Register Table

I/O #	Modbus Holding Register		I/O Type	Units	I/O Range		Holding Register Representation	
	Gateway	Any Node			Min. Value	Max. Value	Min. (Dec.)	Max. (Dec.)
1	1	1 + (Node# × 16)	Discrete IN 1	-	0	1	0	1
2	2	2 + (Node# × 16)	Discrete IN 2	-	0	1	0	1
3	3	3 + (Node# × 16)	Analog IN 1	mA	0.0	20.0	0	65535
4	4	4 + (Node# × 16)	Analog IN 2	mA	0.0	20.0	0	65535
5	5	...						
7	7	7 + (Node# × 16)	Reserved					
8	8	8 + (Node# × 16)	Device Message					
9	9	9 + (Node# × 16)	Discrete OUT 1	-	0	1	0	1
10	10	10 + (Node# × 16)	Discrete OUT 2	-	0	1	0	1
11	11	11 + (Node# × 16)	Analog OUT 1	mA	0.0	20.0	0	65535
12	12	12 + (Node# × 16)	Analog OUT 2	mA	0.0	20.0	0	65535
13	13	...						
15	15	15 + (Node# × 16)	Control Message					
16	16	16 + (Node# × 16)	Reserved					

Discrete Bit-Packed Registers

Discrete bit-packed registers include the discrete status registers, discrete inputs, and discrete outputs.

Bit packing involves using a single register, or range of contiguous registers, to represent I/O values.

When networks use similar Nodes to gather data using the same I/O registers for each Node, discrete data from multiple Nodes can be bit packed into a single register on the Gateway. The bit-packed data is arranged by I/O point starting at Modbus register 6601. For example, Discrete IN 1 for all the Nodes in the network is stored in three contiguous 16-bit registers.

The most efficient way to read (or write) discrete data from a SureCross® DX80 Gateway is by using these bit-packed registers because users can read or write registers for all devices using one Modbus message. The following registers contain discrete bit-packed I/O values for the Gateway and all Nodes. Values are stored first for the Gateway, then for each Node in order of Node address.

Bit-Packed Device Status Registers

Register Address	Bit Position															
	15	14	13	12	11	10	9	8	7	6	5	4	3	2	1	0
6601	Node 15	Node 14	Node 13	Node 12	Node 11	Node 10	Node 9	Node 8	Node 7	Node 6	Node 5	Node 4	Node 3	Node 2	Node 1	Gateway
6602	Node 31	Node 30	Node 29	Node 28	Node 27	Node 26	Node 25	Node 24	Node 23	Node 22	Node 21	Node 20	Node 19	Node 18	Node 17	Node 16
6603	Node 47	Node 46	Node 45	Node 44	Node 43	Node 42	Node 41	Node 40	Node 39	Node 38	Node 37	Node 36	Node 35	Node 34	Node 33	Node 32

Bit-Packed Discrete Input 1

Register Address	Bit Position															
	15	14	13	12	11	10	9	8	7	6	5	4	3	2	1	0
6611	Node 15	Node 14	Node 13	Node 12	Node 11	Node 10	Node 9	Node 8	Node 7	Node 6	Node 5	Node 4	Node 3	Node 2	Node 1	Gateway
6612	Node 31	Node 30	Node 29	Node 28	Node 27	Node 26	Node 25	Node 24	Node 23	Node 22	Node 21	Node 20	Node 19	Node 18	Node 17	Node 16
6613	Node 47	Node 46	Node 45	Node 44	Node 43	Node 42	Node 41	Node 40	Node 39	Node 38	Node 37	Node 36	Node 35	Node 34	Node 33	Node 32

Bit-Packed Discrete Output 1

Register Address	Bit Position															
	15	14	13	12	11	10	9	8	7	6	5	4	3	2	1	0
6691	Node 15	Node 14	Node 13	Node 12	Node 11	Node 10	Node 9	Node 8	Node 7	Node 6	Node 5	Node 4	Node 3	Node 2	Node 1	Gateway
6692	Node 31	Node 30	Node 29	Node 28	Node 27	Node 26	Node 25	Node 24	Node 23	Node 22	Node 21	Node 20	Node 19	Node 18	Node 17	Node 16
6693	Node 47	Node 46	Node 45	Node 44	Node 43	Node 42	Node 41	Node 40	Node 39	Node 38	Node 37	Node 36	Node 35	Node 34	Node 33	Node 32

Inputs		Outputs	
Modbus Register Address (Decimal)	Description (Inputs)	Modbus Register Address (Decimal)	Description (Outputs)
6601-6603	Status for all devices		
6611-6613	Input 1 from all devices	6691-6693	Output 1 from all devices
6621-6623	Input 2 from all devices	6701-6703	Output 2 from all devices
6631-6633	Input 3 from all devices	6711-6713	Output 3 from all devices
6641-6643	Input 4 from all devices	6721-6723	Output 4 from all devices
6651-6653	Input 5 from all devices	6731-6733	Output 5 from all devices
6661-6663	Input 6 from all devices	6741-6743	Output 6 from all devices
6671-6673	Input 7 from all devices	6751-6753	Output 7 from all devices
6681-6683	Input 8 from all devices		

Status registers (6601-6603) contain a bit-packed representation defining the devices that are operational in the wireless system.

Input registers from all devices use Modbus registers 6611 through 6683 to organize the least significant bit into a sequential array of registers. The first register contains the least significant bit from the input values for the Gateway through Node 15. The second register contains the input values for Node 16 through Node 31, and the third register contains the input values for Nodes 32 through 47.

For discrete inputs, only the least significant bit is used. For analog inputs, the least significant bit indicates if the analog value is above or below the selected threshold value (when using the threshold parameter). For example, a least significant bit of one (1) indicates the analog value is above the selected threshold value. A least significant bit of zero (0) indicates the analog value is below the threshold value.

Output registers from all devices use Modbus registers 6691 through 6753 to organize the least significant bit into a sequential array of registers. Output 8 (I/O point 16) cannot be written using the discrete format.

Analog 16-Bit Registers (Registers 6801 through 9098)

The most efficient way to read (or write) analog data from a Gateway is by using these 16-bit analog registers. Most networks consist of similar Nodes reporting data using the same I/O registers for each Node. For this reason, the analog data is arranged by I/O point using Modbus registers 6801 through 9098. For example, Input 1 for Gateway and all Nodes is stored in the first 48 contiguous blocks of 16-bit analog registers, beginning with register 6801.

In this format, users can read a 16-bit holding register for all devices or write to a register for all devices using one Modbus message. Using these registers is the most efficient way to read all status registers, read all analog inputs, or write all analog outputs.

The following registers contain analog I/O values for the Gateway and all Nodes. Values are stored first for the Gateway, then for each Node in order of Node address.

Inputs		Outputs	
Modbus Register Address (Decimal)	Description (Inputs)	Modbus Register Address (Decimal)	Description (Outputs)
6801	Input 1 for Gateway	8001	Output 1 for Gateway
6802	Input 1 for Node 1	8002	Output 1 for Node 1
6803	Input 1 for Node 2	8003	Output 1 for Node 2
...
6951	Input 2 for Gateway	8151	Output 2 for Gateway
6952	Input 2 for Node 1	8152	Output 2 for Node 1
6953	Input 2 for Node 2	8153	Output 2 for Node 2
...
7101	Input 3 for Gateway	8301	Output 3 for Gateway
7102	Input 3 for Node 1	8302	Output 3 for Node 1
7103	Input 3 for Node 2	8303	Output 3 for Node 2
...
7851	Input 8 (Status Register) for Gateway	9051	Output 8 for Gateway
7852	Input 8 (Status Register) for Node 1	9052	Output 8 for Node 1
7853	Input 8 (Status Register) for Node 2	9053	Output 8 for Node 2
...

For example, 6801 contains the input 1 value for the Gateway, 6802 contains the input 1 value for Node 1, and 6848 contains the input 1 value for Node 47.

Specifications

Radio Range

900 MHz, 1 Watt: Up to 9.6 km (6 miles)²
 2.4 GHz, 65 mW: Up to 3.2 km (2 miles)

Minimum Separation Distance

900 MHz, 1 Watt: 4.57 m (15 ft)
 2.4 GHz, 65 mW: 0.3 m (1 ft)

Radio Transmit Power

900 MHz, 1 Watt: 30 dBm (1 W) conducted (up to 36 dBm EIRP)
 2.4 GHz, 65 mW: 18 dBm (65 mW) conducted, less than or equal to 20 dBm (100 mW) EIRP

900 MHz Compliance (1 Watt)

FCC ID UE3RM1809: This device complies with FCC Part 15, Subpart C, 15.247
 IC: 7044A-RM1809

2.4 GHz Compliance

FCC ID UE300DX80-2400 - This device complies with FCC Part 15, Subpart C, 15.247
 ETSI EN 300 328 V1.8.1 (2012-06)
 IC: 7044A-DX8024

Spread Spectrum Technology

FHSS (Frequency Hopping Spread Spectrum)

Communication Hardware (RS-485)

Interface: 2-wire half-duplex RS-485
 Baud rates: 9.6k, 19.2k (default), or 38.4k
 Data format: 8 data bits, no parity, 1 stop bit

Communication Protocol

Modbus RTU

Supply Voltage

10 to 30 V dc (Outside the USA: 12 to 24 V dc, ±10%).³

Current Draw (at 24 V dc)

900 MHz, 1 Watt: Approx. 30 mA
 900 MHz, 250 mW: Approx. 25 mA
 2.4 GHz, 65 mW: Approx. 20 mA

Interface

Indicators: One bi-color LED
 Buttons: One

Wiring Access

Terminal block

Antenna Connection

Ext. Reverse Polarity SMA, 50 Ohms: Max Tightening Torque: 0.45 N-m (4 lbf-in)
 U.FL-R-SMT.(01): Use cable BWA-HW-030 (U.FL to RP-SMA) or the equivalent

Link Timeout

Gateway: Configurable via User Configuration Tool (UCT) software
 Node: Defined by Gateway

Operating Conditions

-40 °C to +85 °C (-40 °F to +185 °F)⁴
 95% maximum relative humidity (non-condensing)

Radiated Immunity

10 V/m (EN 61000-4-3)

² Radio range is with the 2 dB antenna that ships with the product. High-gain antennas are available, but the range depends on the environment and line of sight. To determine the range of your wireless network, perform a Site Survey.

³ For European applications, power the DX80 from a Limited Power Source as defined in EN 60950-1.

⁴ Operating the devices at the maximum operating conditions for extended periods can shorten the life of the device.

Discrete Input

Two, PNP
 Rating: 3 mA max current at 30 V dc
 Sample Rate: 62.5 milliseconds
 Report Rate: On change of state
 ON Condition (PNP): Greater than 8 V
 OFF Condition (PNP): Less than 5 V

Analog Inputs

Two, 0–20 mA
 Rating: 24 mA
 Impedance: Approx. 100 Ohms⁵
 Sample Rate: 62.5 milliseconds
 Report Rate: 1 second or On Change of State (1% change in value)
 Accuracy: 0.1% of full scale +0.01% per °C
 Resolution: 12-bit

Discrete Output

Two, PNP
 Update Rate: 1 second
 ON Condition (PNP): Supply minus 2 V
 OFF Condition (PNP): Less than 2 V
 Output State Following Timeout: De-energized (OFF)

Discrete Output Rating (PNP)

100 mA max current at 30 V dc
 ON-State Saturation: Less than 3 V at 100 mA
 OFF-state Leakage: Less than 10 µA

Analog Outputs

Two, 0–20 mA
 Update Rate: 125 milliseconds
 Accuracy: 0.1% of full scale +0.01% per °C
 Resolution: 12-bit

MultiHop M-HBx and Performance PBx Models Mounted on the Base

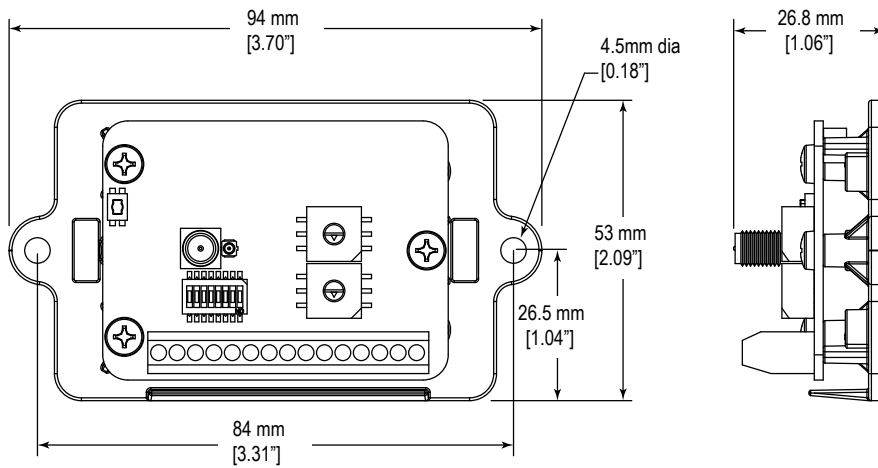


Figure 2. Most MultiHop M-HBx and Performance PBx models ship from the factory mounted on a plastic base.

Accessories for the Board Models

<p>BWA-HW-034</p> <ul style="list-style-type: none"> DIN rail clip, black plastic 	<p>BWA-HW-030</p> <ul style="list-style-type: none"> u.FL to RP-SMA adapter cable 
---	---

⁵ To verify the analog input's impedance, use an Ohm meter to measure the resistance between the analog input terminal (AI.x) and the ground (GND) terminal.

Warnings

Antenna Installations. Install and properly ground a qualified surge suppressor when installing a remote antenna system. Remote antenna configurations installed without surge suppressors invalidate the manufacturer's warranty. Keep the ground wire as short as possible and make all ground connections to a single-point ground system to ensure no ground loops are created. No surge suppressor can absorb all lightning strikes; do not touch the Sure Cross® device or any equipment connected to the Sure Cross device during a thunderstorm.

Exporting Sure Cross® Radios. It is our intent to fully comply with all national and regional regulations regarding radio frequency emissions. Customers who want to re-export this product to a country other than that to which it was sold must ensure the device is approved in the destination country. A list of approved countries appears in the *Radio Certifications* section of the product manual. The Sure Cross wireless products were certified for use in these countries using the antenna that ships with the product. When using other antennas, verify you are not exceeding the transmit power levels allowed by local governing agencies. Consult with Banner Engineering Corp. if the destination country is not on this list.

Violating Warnings. The manufacturer does not take responsibility for the violation of any warning listed in this document. Make no modifications to this product; any modifications to this product not expressly approved by Banner Engineering could void the user's authority to operate the product. All specifications published in this document are subject to change; Banner reserves the right to modify product specifications or update documentation at any time. For the most recent version of any documentation, refer to: www.bannerengineering.com. © Banner Engineering Corp. All rights reserved.

Banner Engineering Corp. Limited Warranty

Banner Engineering Corp. warrants its products to be free from defects in material and workmanship for one year following the date of shipment. Banner Engineering Corp. will repair or replace, free of charge, any product of its manufacture which, at the time it is returned to the factory, is found to have been defective during the warranty period. This warranty does not cover damage or liability for misuse, abuse, or the improper application or installation of the Banner product.

THIS LIMITED WARRANTY IS EXCLUSIVE AND IN LIEU OF ALL OTHER WARRANTIES WHETHER EXPRESS OR IMPLIED (INCLUDING, WITHOUT LIMITATION, ANY WARRANTY OF MERCHANTABILITY OR FITNESS FOR A PARTICULAR PURPOSE), AND WHETHER ARISING UNDER COURSE OF PERFORMANCE, COURSE OF DEALING OR TRADE USAGE.

This Warranty is exclusive and limited to repair or, at the discretion of Banner Engineering Corp., replacement. IN NO EVENT SHALL BANNER ENGINEERING CORP. BE LIABLE TO BUYER OR ANY OTHER PERSON OR ENTITY FOR ANY EXTRA COSTS, EXPENSES, LOSSES, LOSS OF PROFITS, OR ANY INCIDENTAL, CONSEQUENTIAL OR SPECIAL DAMAGES RESULTING FROM ANY PRODUCT DEFECT OR FROM THE USE OR INABILITY TO USE THE PRODUCT, WHETHER ARISING IN CONTRACT OR WARRANTY, STATUTE, TORT, STRICT LIABILITY, NEGLIGENCE, OR OTHERWISE.

Banner Engineering Corp. reserves the right to change, modify or improve the design of the product without assuming any obligations or liabilities relating to any product previously manufactured by Banner Engineering Corp.