



BLUE RIBBON CORP.

SUBMERSIBLE LEVEL TRANSMITTER

Models BR1102, 1103

APPLICATIONS:

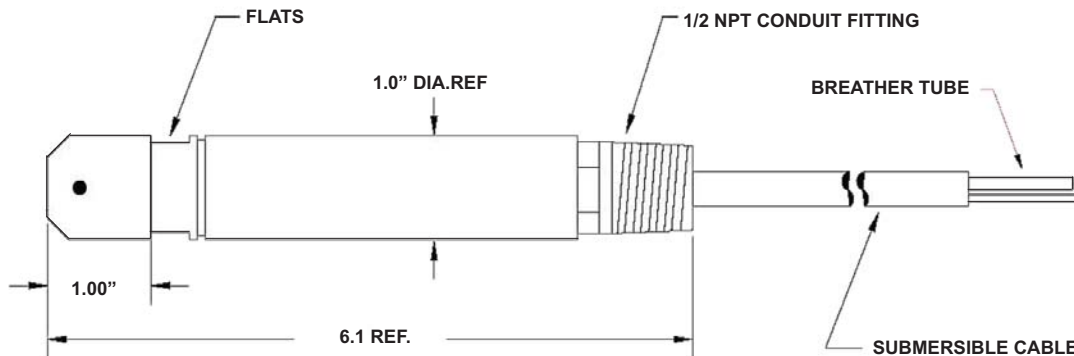
- Industrial OEM
- Level & Depth
- Water & Waste Water Treatment
- Irrigation
- Groundwater Testing
- Food & Beverage

FEATURES:

- Low Cost, High Accuracy, High Reliability
- 0.5% FSO standard accuracy, 0.25% typical
- Small Size - 1" diameter, Lightweight
- Rugged, all welded construction
- 1/2" NPT Conduit Thread Standard
- IP68 Rated
- Operating Temperature -40°F to +180°F
- Available with 40 Ft. of Polyurethane jacket, 6 conductor with breather tube.

PRESSURE RANGES:

- 0-3 PSI to 0-500 PSI (See ordering guide)



WIRING CODE

	1102	1103
RED	+ EXC.	+ EXC./SIGNAL
BLACK	- EXC.	- EXC./SIGNAL
GREEN	+ SIGNAL	NC
SHIELD	OPEN	OPEN

To avoid ground loops, earth ground the shield wire or the transducer/transmitter case, but not both.

Blue Ribbon reserves the right to make product improvements and amendments to the product specifications stated throughout this brochure without prior notification. Please contact the factory on all critical dimensions and specifications for verification.

A5BR-1100.00 Rev B



BLUE RIBBON CORP.

Standard Specifications listed below.

Consult factory for further options, which may change the overall dimensions.

Accuracy	(Non-linearity, hysteresis, non-repeatability) 0.5% (BFSL)	
Pressure Ranges	Models 1102, 1103 0-3 PSI to 0-500 PSI	
Pressure Types	2 Gauge 7 Gauge/non-hermetic seal	6 Sealed Gauge 8 Elevated
Pressure Cavity Material	316 stainless steel and inconel	
Resolution	Infinite (Practical = 0.06% FSO)	
Temperature Limits	Compensated 0°F to 180°F Operating -40°F to 180°F Storage -40°F to 250°F	
Temperature Compensation	Zero ±2.0% FSO/100°F Span ±2.0% FSO/100°F	
Electrical	(Model 1102) Excitation 9.0 - 36 Vdc Output at 70°F 0-5 Vdc ±2% FSO Zero Balance ± 2.0% FSO Span Tolerance ± 2.0% FSO Insulation 10 M Ohms at 50 Vdc Pin to Case	(Model 1103) 9.0 - 36 Vdc 4-20 mA ±2% FSO
Standard Connections	Pressure PVC bullet nose Electrical Cable 8' Molded polyurethane jacket, 6 conductor with breather tube	
Mechanicals	Response Time 5 ms Proof Pressure 1.5 X Full Scale Output Burst Pressure 3 X Full Scale Output Weight	

MODELS

1102 0-5 Vdc
1103 4-20 mA

ACCURACY

B 0.5% FSO
C 0.2% FSO

PRESSURE RANGE (PSI)

PG 0-3	PZ 0-100
PJ 0-5	RB 0-150
PL 7.5	RD 0-200
PN 0-10	RE 0-250
PP 0-15	RF 0-300
PT 0-30	RH 0-500
PV 0-50	SZ Non-standard
PX 0-75	

PRESSURE TYPES

2 Gauge/direct/<300 psi (vented)
6 Sealed gauge (Hermetic seal/non-vented)
7 Gauge/non-hermetic seal/300 psi & Above (non-vented)
8 Elevated (Suppressed Zero)

ORDERING GUIDE:

MODEL	ACCURACY	PRESSURE RANGE	PRESSURE TYPES	OPTIONS
•	-	•	-	•/•/•

Example: 1103-B-RD-2-CZ/FJ

OPTIONS

ALTERNATE CONNECTOR OR CABLE

AA 40' Polyurethane Cable
CT Tefzel Cable
CZ Alternate Cable or Length

ALTERNATE PRESSURE PORT

FJ 1/4 NPT Male
FL 1/8 NPT Male

GENERAL

GA Standardized FSO
GB Alternate Electronic Output
JH Remote Zero & Span Controls
GZ Customer Special
JV Voltage Surge Protection

2770 Long Road, Grand Island, NY 14072

Tel. (716) 773-9300 • Fax (716) 773-5019 • brsales@blueribboncorp.com • www.blueribboncorp.com