

# DataKeep™ 300500

Explosion Proof Level Indicator



## Application

The explosion proof loop powered level indicator displays engineering units connected in series with one 4-20 mA continuous level transmitter. Select this level indicator for hazardous applications with an explosion proof level sensor. The windowed field enclosure is easily wall mounted and includes two conduit connectors.



## Features

- Rugged aluminum explosion proof windowed enclosure
- LCD display indicates engineering units and descriptors
- Non-volatile memory with security password protection
- SafeTouch through-glass button programming
- 32-point, square root or exponential linearization

## Key Benefits

- Simple, loop powered display for use in explosion proof applications
- Add display to current loop in the classified area
- Displays in inches, feet, meters, gallons or liters of liquid in the tank
- Easy to configure and scale for your application
- Provides Hi or Lo level alarm indication

## Compatible Products



XP88-89

### ECHOSAFE®

Ultrasonic Level Transmitter

FM approved for hazardous environments, the explosion proof ultrasonic level transmitter provides continuous level measurement up to 32.8' (10m) with a 4-20 mA signal output, and is configured via the integral push button display module. This non-contact liquid level sensor is ideally suited for corrosive, ultrapure, sticky or dirty liquids, and is selected for bulk storage, day tank and process tank level applications located in a classified area.

# DataKeep™ 300500

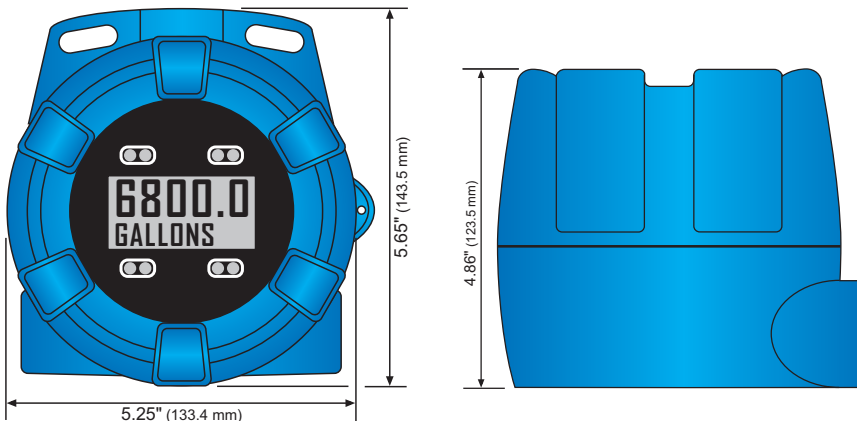
Explosion Proof Level Indicator



## Specifications

<b>Display type:</b>	LCD
	Upper: 5 digits Lower: 7 characters
<b>Display units:</b>	Engineering
<b>Display output:</b>	0.001 to 99,999
<b>Display height:</b>	Main: 0.70" (18mm) Secondary: 0.4" (10mm)
<b>Decimal point:</b>	0, 1, 2 or 3
<b>Configuration:</b>	Push button, SafeTouch through-glass
<b>Memory:</b>	Non-volatile
<b>Sensor input:</b>	(1) 4-20 mA transmitter
<b>Loop power:</b>	9-30 VDC
<b>Voltage drop:</b>	3.0 VDC @ 20 mA w/o backlight 6.0 VDC @ 20 mA with backlight
<b>Ambient temp.:</b>	F: -40° to 167° C: -40° to 75°
<b>Enclosure rating:</b>	NEMA 4X, 7 & 9 (IP68)
<b>Enclosure mat'l.:</b>	Aluminum
<b>Window mat'l.:</b>	Glass
<b>Conduit entrance:</b>	Dual, 3/4" NPT
<b>Classification:</b>	Explosion proof
<b>Compliance:</b>	CE
<b>Approvals:</b>	FM, ATEX, IECEx, CSA

## Dimensions



## Accessories

For reliable power and performance, use the below recommended power supply.



### P/N

LC95-2001

### DESCRIPTION

100-240 VAC, 24 VDC @ 0.45A, 35mm rail

## Ordering

300500<sub>(1)</sub>

### NOTES

- 1) For explosion proof level measurement, package the indicator with the EchoSafe ultrasonic transmitter.