



## Series PMD & PMS Pneumatic Actuators

Low Cost • Heavy Duty Plastic Construction • For Use with Ball Valves up to 2" Size



### Corrosion Resistant

Hayward PMD and PMS actuators feature heavy-duty, corrosion-resistant construction. These actuators are designed to stand up to most corrosive environments and other harsh conditions without the need for epoxy coatings.

### Two Modes of Operation

Series PMD actuators are air-to-air (double acting) actuators, while the PMS Series are air-to-spring (fail safe) actuators. Air-to-air actuators require air pressure for both actuation cycles, Open and Closed. Air-to-spring actuators have a mechanical spring return unit, enclosed in the actuator housing, that is used to operate one of the actuation cycles, either Open or Closed.

### Rugged Design

Hayward PMD and PMS actuators feature a proven, heavy-duty rack & pinion design that is extremely reliable. The actuators require no maintenance. The internal lubrication lasts indefinitely – even in applications where the actuator is cycled frequently.

### Modular Mounting Options

These actuators feature a Namur-style modular mounting system for options. Options mount separately to the actuator – they are not "built in" or enclosed in the housing. This makes it very easy to add options to the actuator after it has been installed into the system – should the need ever arise due to changes in application parameters. You never have to pay for an options package with features you may not need.

### Manual Override Standard

Both types of actuators feature a standard manual override and can be operated manually in the event of air or electrical failure. This means that the valve can be manually opened or closed without having to remove the actuator from the valve for access to the valve stem.

PNEUMATIC-ACTUATION & OPTIONS

### Features

- Plastic Housing
- Two-Piston Rack & Pinion Design
- Manual Override
- Position Indicator
- Permanent Lubrication
- Light Weight
- Stainless Steel Output Shaft
- Namur-Style Mounting

### Options

- Solenoid Valves
- Solenoid Voltages
- Limit Switch
- Cycle Speed Controls

# Technical Specifications

## Actuator Specifications

**Housing:** Polyarylamide plastic  
**Output Shaft:** Stainless Steel  
**Minimum Air Pressure:** 80 PSI  
**Maximum Air Pressure:** 120 PSI  
**Seals:** Nitrile

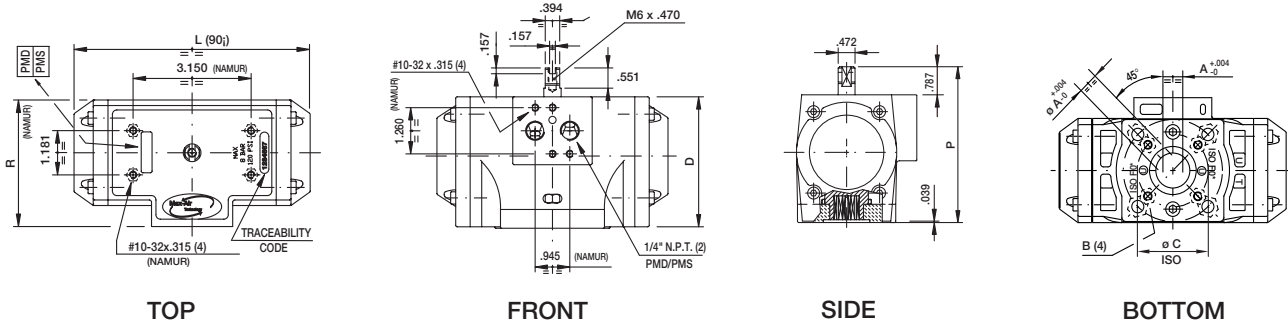
**Cycle Time:** 1/2 second  
**Air Port Connections:** 1/4" NPT  
**Air Consumption:** PMS: 10.8 cu in  
 PMD: 13.5 cu in  
**Weight:** PMS: 3.1 lb  
 PMD: 1.3 lb

### Model PMD - Double-Acting 90°

Min. Air Pressure	60 psig	80 psig	100 psig	120 psig
Torque (in-lb)	94	125	156	187

### Model PMS - Spring Return 90°

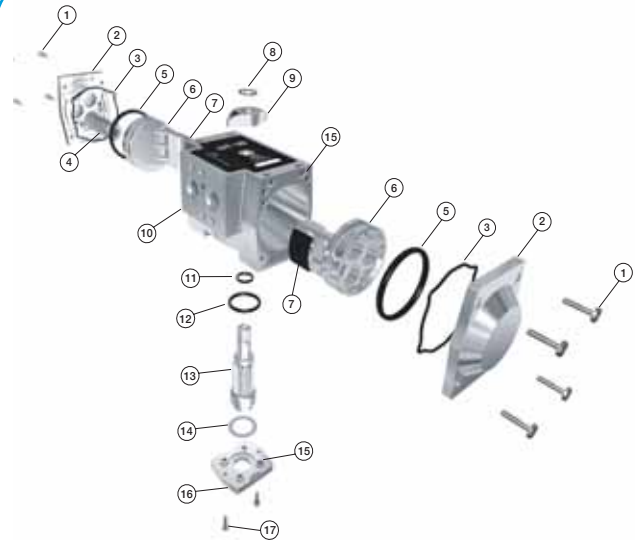
	Position 1 Closing Torque		Position 2 Opening Torque			
Min. Air Pressure	—		60 psig	80 psig	100 psig	120 psig
	Start	End	Start	End	Start	End
Torque (in-lb)	150	107	99	56	168	125
			237	194	305	262



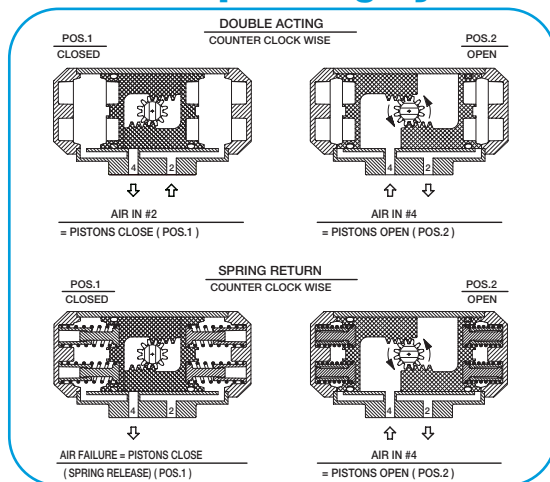
## Dimensions (inches)

Model	øA	B	C	L	P	R
<b>PMD</b>	0.433 ISO F04	10-32x0.400 UNF-ISO F04	ø1.654 ISO F04	4.685	3.583	2.638
<b>PMS</b>	0.551 ISO F04	10-32x0.400 UNF-ISO F04	ø1.654 ISO F04	6.299	4.370	3.386

## Parts List



## Actuator Operating Systems



Hayward Industrial Products, Inc.

One Hayward Industrial Drive, Clemmons, NC 27012  
 Tel: 1-888-429-4635 (1-888-HAYINDL) • Fax: 1-888-778-8410  
 E-mail: hflow@haywardnet.com  
 Web Site: <http://www.haywardindustrial.com>