

Air-Operated Double Diaphragm Pumps



1/2" TC-X152 Series



The TC-X152 pump is designed to offer high flow rates, excellent chemical resistance, improved leak prevention and increased reliability. The TC-X152 series offer exceptional flow rates, low air consumption and solids handling. Featuring new Looped C™ Air Motor Technology (patent pending).



Maximum Flow Rate: 15.8 GPM (60 L/Min)
 Maximum Discharge Head: 230 ft (70 m)
 Available in: Stainless Steel, Aluminum, Pure Polypropylene and PVDF (Kynar®)
 Shuttle valve type: C-Spring Valve
 Certification: CE, ATEX (select models), FDA (SS models)

SPECIFICATIONS					
Material Code*	A"X"	S"X"	P"X"-PP	V"X"	DT
Max Flow Rate	15.8 GPM (60 LPM)		14.8 GPM (56 LPM)		
Max Air Pressure	100 PSI (0.7 MPa)				
Max Air Consumption	31.8 scfm (900 L/min)				
Supply Air Pressure Range ¹	30-100 PSI (0.2-0.7 MPa)				
Liquid Discharge Volume per cycle	2.9 oz (85 mL)				
Connection Suction x Discharge	NPT 1/2"				
Weight	9.0 lbs (4.1 kg)	14.8 lbs (6.7 kg)	6.8 lbs (3.1 kg)	9.3 lbs (4.2 kg)	8.4 lbs (3.8 kg)

* See Chart and Model Number nomenclature on back page for materials

Note 1: A supply air pressure of 30 PSI (0.2 MPa) or more is required to operate the pump. If the supply pressure is less than 30 PSI (0.2 MPa), the pump may not operate properly.

Pump Liquid Temperature Range: P"X", V"X" 32-140°F(0-60°C) A"X", S"X" 32-158°F (0-70°C)

CR, NBR Diaphragm 32-158°F (0-70°C) TPO, PTFE Diaphragm 32-212°F (0-100°C)

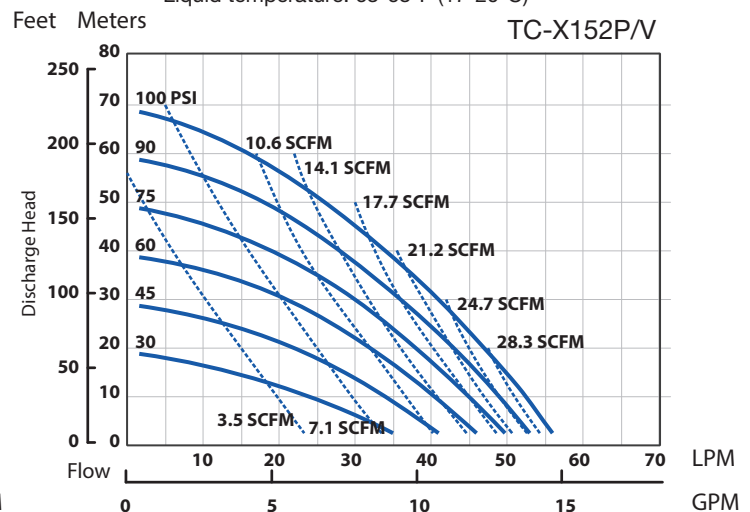
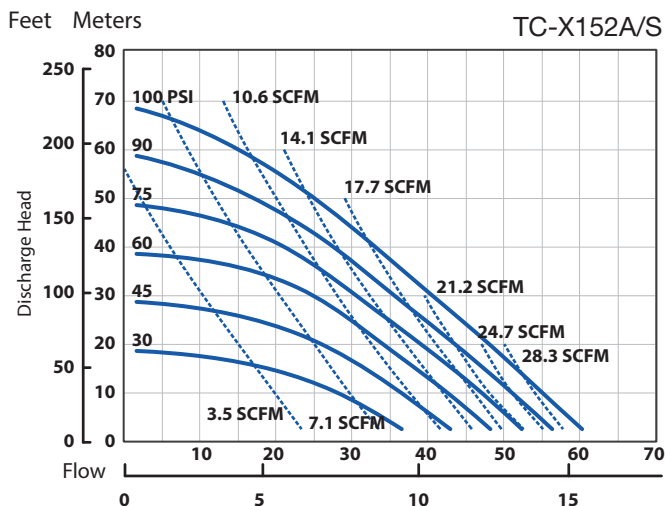
Ambient Temperature Range: 32-158°F (0-70°C)

Slurry Recommendation: A"X", S"X" 1mm or less P"X", V"X", DT Not recommended for use in slurry liquid

Viscosity Limit: ~500 cps (0.5 Pa-s) (Please contact your distributor for more details)

PERFORMANCE CURVES

Conditions:
 4" flooded suction.
 Ambient temperature: 64°F (18°C)
 Liquid temperature: 63-68°F (17-20°C)



Air-Operated Double Diaphragm Pumps



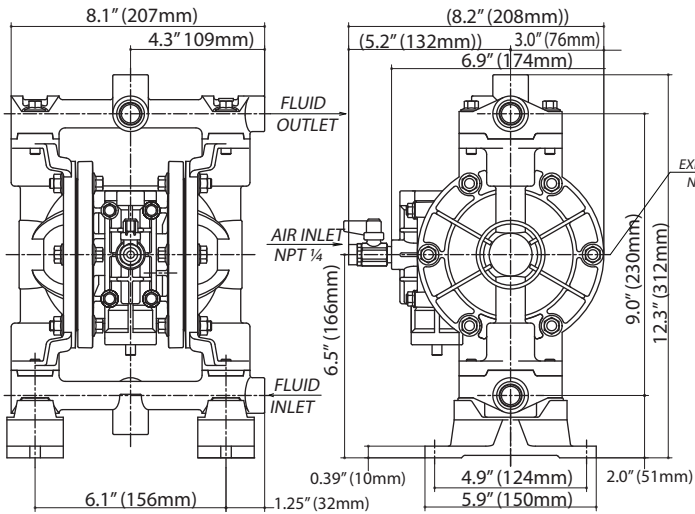
1/2" TC-X152 Series

WET END MATERIALS																		
Part Name	AC	AN	AT	AH	AS	SC	SN	ST	SH	SS	PC	PN	PT	PH	PS	VT	VS	DT
Pump wetted parts	ADC12					SCS14					PP					PVDF		POM
Diaphragm	CR	NBR	PTFE	TPEE	TPO	CR	NBR	PTFE	TPEE	TPO	CR	NBR	PTFE	TPEE	TPO	PTFE	TPO	PTFE
Flat Valve	CR	NBE	PTFE	NBR	EPDM	CR	NBR	PTFE	NBR	EPDM	PTFE					PTFE	PTFE	
Valve Seat	A5056					SS316					PP					PVDF	POM	
Center Disk	A5056					SS316					PP (SS303*)					PVDF (SS303*)	POM (SS303*)	

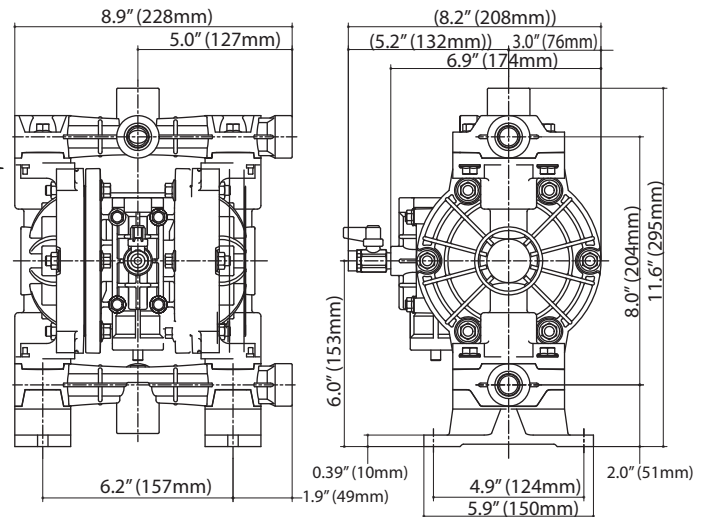
ADC12 Aluminum Alloy PP Pure Polypropylene *SS303 Stainless Steel grade 303 (insert material)
A5056 Aluminum PTFE Polytetrafluoroethylene (Teflon®)
CR Chloroprene Rubber (Neoprene™) PVDF Polyvinylidene Fluoride (Kynar®)
NBR Nitrile Rubber (Buna®) TPEE Thermoplastic Polyester Elastomer (Hytrel™)
SCS14 Cast Stainless Steel TPO Thermoplastic PolyOlefin (Santoprene®)
SS316 Stainless Steel Grade 316 POM Polyoxymethylene (Acetal®)

DIMENSIONS

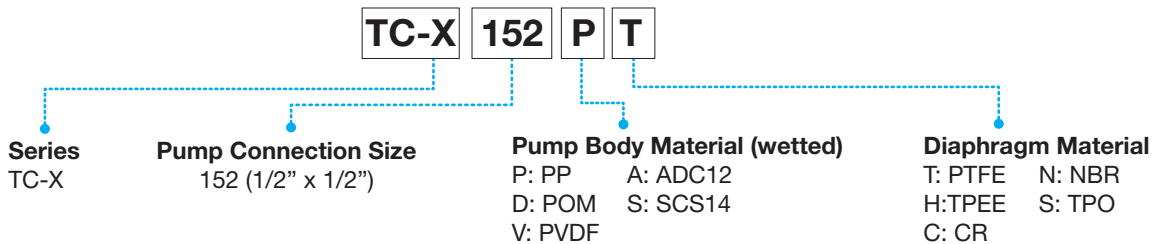
TC-X152A, S



TC-X152P, V, DT



MODEL NUMBER NOMENCLATURE



Five Boynton Road, Holliston, MA 01746 USA
Tel: 508-429-1440 / service@iwakiAmerica.com / www.IwakiAir.com

IALT00326.A1